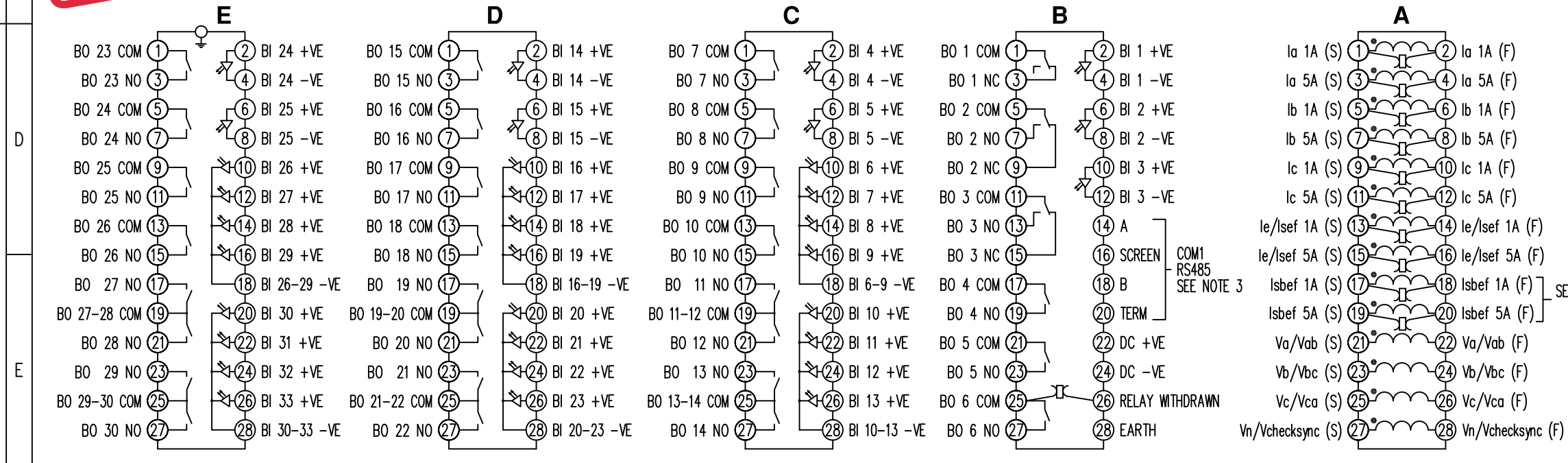


**NOT SUBJECT TO UPDATE  
ONCE COPIED / PRINTED  
OR DOWNLOADED**

ABBREVIATIONS	
I-	CURRENT INPUTS
V-	VOLTAGE INPUTS
BI-	BINARY INPUTS
BO-	BINARY OUTPUTS
CO-	CHANGE OVER BINARY OUTPUT CONTACTS
NO-	NORMALLY OPEN BINARY OUTPUT CONTACTS
NC-	NORMALLY CLOSED BINARY OUTPUT CONTACTS



SERIAL PORT IDENTIFICATION	
COM1	RS485 (ON BLOCK 'B' TERMINALS 14,16,18 & 20)
COM2	USB TYPE 'B' PORT (ON RELAY FRONT LABEL)

ETHERNET PORT IDENTIFICATION	
Ch1	ETHERNET PORT (ON REAR COMMS MODULE)
Ch2	ETHERNET PORT (ON REAR COMMS MODULE)

2 RDW	25/07/11	61850 COMMS ADDED MN3444 KB 3J1139
1	19/05/09	3J0629
ISSUE	DATE	CHANGE NOTED

Copyright © 2009 Siemens Protection Devices Ltd. Hebburn

**MATERIAL:**

Dimensions in millimetres : Surface texture in micrometres.  
Machine where marked ✓  
For explanation of dimensions, tolerances, notes etc. see B.S.308.  
Limit on untoleranced unmachined dimensions ± \_\_\_\_\_  
Limits on untoleranced machined dimensions to B.S.4500;  
i.e. up to 6±0.1; over 30 to 120±0.3; over 315±0.8;  
over 6 to 30±0.2; over 120 to 315±0.5;  
General unmachined angular tolerance ± \_\_\_\_\_

Finish:	Title: 7SR224, E12, TERMINAL ID & WIRING DIAGRAM 5I,4V, 33BI, 2CO,27NO,1NC, RS485 & ETHERNET(x2) COMMS	First used on:
Treatment:	<b>SIEMENS PROTECTION DEVICES LTD.</b>	Similar Articles:
	Original Scale: NTS	Supersedes:
		Dr. No. <b>2435W40047</b>