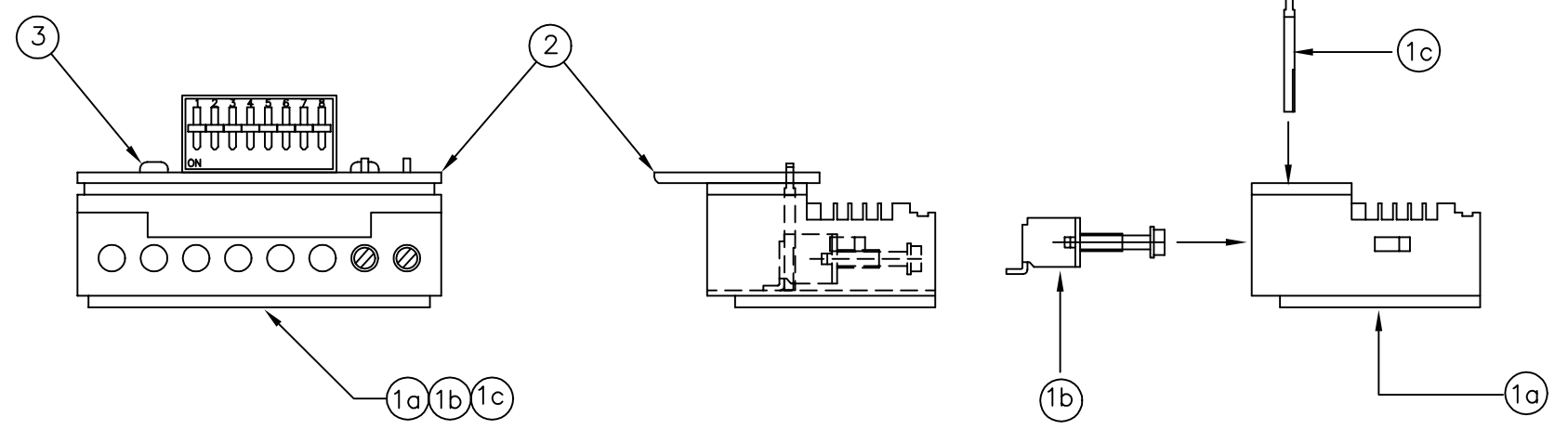
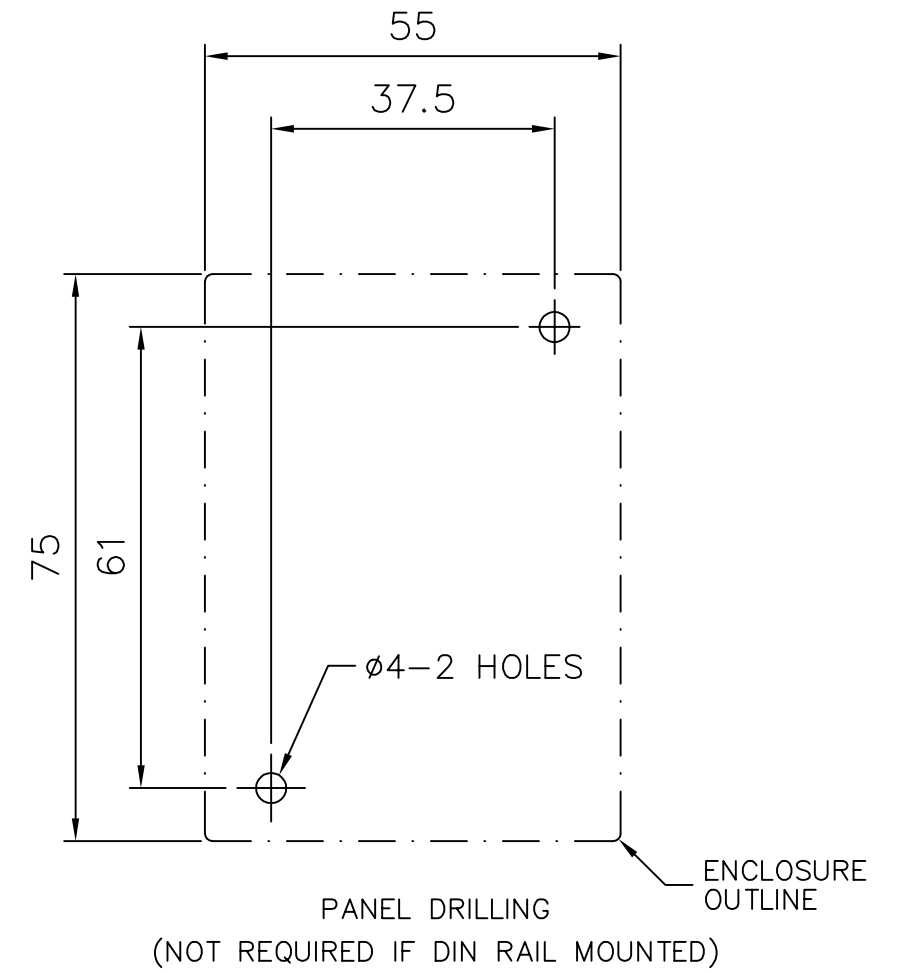
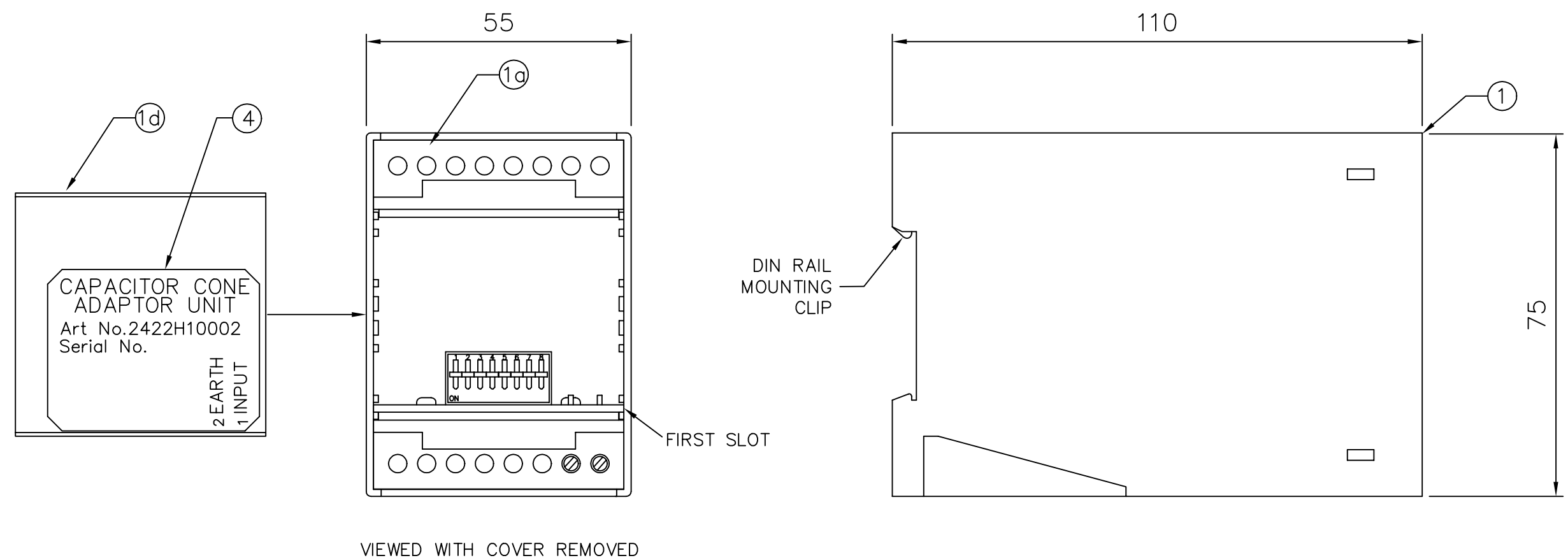


IF IN DOUBT ASK
DO NOT SCALE

ITEM	DESCRIPTION	ARTICLE NO	QTY
1	ENCLOSURE	2455B99001	1
1a	TERM BLOCK HOUSING		2
1b	TERMINAL CLAMP		2
1c	TERMINAL PIN		2
1d	ENCLOSURE COVER		1
2	CAPACITOR CONE PCB	2422G30012	1
3	SCREW No. 2 x 3/16"	2906F42206	2
4	LABEL	2109B99260	1



TERMINAL BLOCK ASSEMBLY

- 1 TERMINAL BLOCK TO BE LOADED AS SHOWN :- IN 2 POSITIONS PRIOR TO SOLDERING TO PCB
- 2 TERMINAL CLAMPS ARE TO BE PRESENTED TO BLOCK NOTE TERMINAL BLOCK POSITIONS :- TERMINAL PIN TO BE PRESENTED TO CLAMP VIA APERTURE IN TOP OF BLOCK & FIXED WITH SCREW. ENSURE PIN IS SEATED CORRECTLY IN BLOCK PRIOR TO SOLDERING TO PCB.

MATERIAL:

Dimensions in millimetres ; Surface texture in micrometres.
Machine where marked ✓
For explanation of dimensions, tolerances, notes etc. see B.S.308.
Limit on untoleranced unmachined dimensions ± _____
Limits on untoleranced machined dimensions to B.S.4500;
i.e. up to 6±0.1; over 30 to 120±0.3; over 315±0.8;
over 6 to 30±0.2; over 120 to 315±0.5;
General unmachined angular tolerance ± _____

NOTES

- 1 NOTE ORIENTATION OF ENCLOSURE, REGARDING POSITION OF THE DIN RAIL MOUNTING CLIP.
- 2 PCB ASSY TO BE INSERTED INTO THE FIRST SLOT AND THE TERMINAL BLOCK CLIPPED INTO POSITION. UPPER TERMINAL BLOCK TO BE CLIPPED INTO POSITION.
- 3 LABEL 2109B99260 TO BE PRINTED AS SHOWN (SEE ROUTINGS). & FIXED IN POSITION ON COVER WITH 'INPUT' & 'EARTH' NOTATION ADJACENT TO THEIR RESPECTIVE TERMINALS.
- 5 SWITCHES ARE TO BE SET TO THE 'OFF' (UP) POSITION.
- 6 CLIP COVER INTO POSITION

**NOT SUBJECT TO UPDATE
ONCE COPIED / PRINTED
OR DOWNLOADED**

Copyright © 2004 VA TECH Reyrolle Ltd. Hebburn

1	02/03/04	CHANGE
ISSUE	DATE	NOTED

Title: ASSEMBLY OF CAPACITOR CONE ADAPTOR UNIT	First used on: Similar Articles: Supersedes:
Treatment: VA TECH Reyrolle AUTOMATION, CONTROL & PROTECTION	Original Scale: Drg. No. 1:1 2422H10002
DRAWN ML/MM CHECKED MM APPROVED RD.WATSON DATE 02/03/04 IE OPS PCP Purch.Spec. TQ EAC CE STD A2	