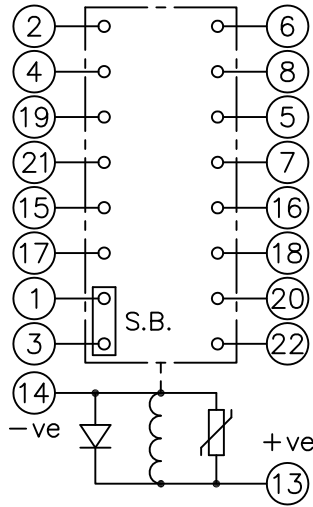


LOOKING ON FRONT OF RELAY



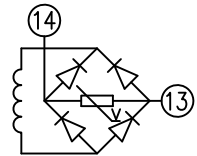
NOT SUBJECT TO UPDATE
ONCE COPIED / PRINTED
OR DOWNLOADED

KEY

- make contact
- break contact
- c/o contact
- ext. conn
- plug bridge - shorting
- metering point
- 5Kv barrier
- test socket - shorting
- plug & socket

CONTACT CONFIG.	OUTPUT CONTACT PAIR / TERMINAL No.									
	1-3	2-4	5-7	6-8	15-17	16-18	19-21	20-22		
7M 1SB	SB	M	M	M	M	M	M	M		
6M 1B 1SB	SB	M	M	M	M	B	M	M		
5M 2B 1SB	SB	B	M	M	M	B	M	M		
4M 3B 1SB	SB	B	M	M	B	B	M	M		
3M 4B 1SB	SB	B	M	M	B	B	M	B		
2M 5B 1SB	SB	B	M	B	B	B	M	B		
1M 6B 1SB	SB	B	M	B	B	B	B	B		
7B 1SB	SB	B	B	B	B	B	B	B		

NOTE: WHEN RECTIFIER IS SPECIFIED COIL CONNS. ARE AS SHOWN.



FRAME REFERENCE: E2FAQM.

FRAME TERMINAL BLOCK ASSY: -

ASSEMBLY INSTRUCTIONS: -
TYPICAL ASSEMBLY DRAWING 2995G10032.
AT INDICATED POSITIONS FIT AS FOLLOWS:
T - FIT TRIP ISOLATION CONTACT 2995B10053
S - FIT STANDARD CONTACT 2995B10054
SECURE CONTACTS USING FIXING SCREW 2109F99009.
POSITIONS SHOWN BLANK ARE UNUSED

2	T	T	1
4	T	T	3
6	T	T	5
8	T	T	7
10	T	T	9
12	T	T	11
14	S	S	13
16			15
18			17
20			19
22			21
24			23
26			25
28			27

VIEW FROM NUMBERED SIDE OF BLOCK

OUTER TERMINAL BLOCK ASSY: -

ASSEMBLY INSTRUCTIONS: -
TYPICAL ASSEMBLY DRAWING 2995G10029.
AT INDICATED POSITIONS FIT AS FOLLOWS:
S - FIT STANDARD CONTACT 2995B10051
HC - FIT 'HEAVY CURRENT' KIT 2995G10030
WHERE IS SHOWN FIT CT SHORTING KIT 2995G10031
POSITIONS SHOWN BLANK ARE UNUSED.
ALL POSITIONS FIT SCREW 2106F12506.

2	S	S	1
4	S	S	3
6	S	S	5
8	S	S	7
10	S	S	9
12	S	S	11
14	S	S	13
16			15
18			17
20			19
22			21
24			23
26			25
28			27

VIEW FROM INSIDE FACE

			Title: T/BLOCK & WIRING DIAG. FOR AR112SBD 7C+1SB RELAY IN E2 CASE		First used on:	
					Similar Articles:	
					Supersedes:	
			Original Scale:		Drg.No.	
1	30/08/11		SIEMENS PROTECTION DEVICES LTD.		2112W50205	
ISSUE	DATE	MOD.No.				
DRAWN:	A.LAW.	CHECKED: RD.WATSON	APPROVED: RD.WATSON	DATE: 31/08/2011	IE:	OPS: