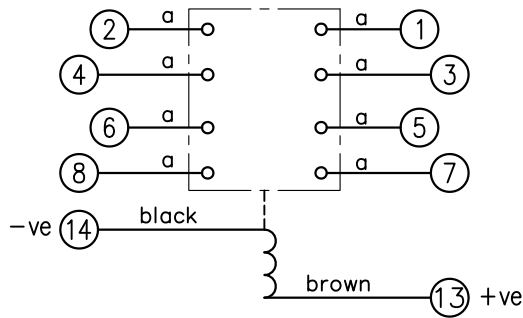


2112W50095

LOOKING ON FRONT OF RELAY



**NOT SUBJECT TO UPDATE  
ONCE COPIED / PRINTED  
OR DOWNLOADED**

**NOTE:**

1. FOR THE 30, 60 AND 240 VOLTAGES THAT REQUIRE RESISTORS SEE WIRING DIAGRAM 2112W50224 FOR DETAILS.

COIL	2112G20123	2112G20126	2112G20129		ASSEMBLY WIRES USED
Volts dc	24	48	125		a   2107B10002 8 OFF

HEAVY DUTY (HD) CONTACTS ARE FITTED WITH BLOWOUT MAGNETS AND ARE POLARITY CONSCIOUS. SEE TABLE BELOW FOR +VE TERMINAL.

KEY	CONTACT CONFIG.	OUTPUT CONTACT PAIR / TERMINAL No.						NOTE: WHEN RECTIFIER IS SPECIFIED COIL CONNS. ARE AS SHOWN.
		1-3	2-4	5-7	6-8	9-11	10-12	
make contact	4M	M	M	M	M			
break contact	3M 1B	M	B	M	M			
c/o contact	2M 2B	B	B	M	M			
ext. conn	1M 3B	B	B	M	B			
plug bridge - shorting	4B	B	B	B	B			
metering point	4M(HD)	M+	M+	M+	M+			
5Kv barrier	3M(HD) 1B(HD)	M+	M+	M+	+B			
test socket - shorting	2M(HD) 2B(HD)	M+	M+	+B	+B			
plug & socket	1M(HD) 3B(HD)	M+	+B	+B	+B			
	4B(HD)	+B	+B	+B	+B			
	2M(HD)2M(STD)	M+	M+	M	M			
	2M(HD)2B(STD)	M+	M+	B	B			
	2M(STD)2B(HD)	M	M	+B	+B			

FRAME REFERENCE: E2FAQQ.

FRAME TERMINAL BLOCK ASSY: -

ASSEMBLY INSTRUCTIONS: -

TYPICAL ASSEMBLY DRAWING 2995G10032.

AT INDICATED POSITIONS FIT AS FOLLOWS:

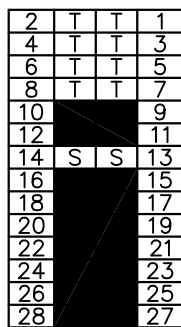
T - FIT TRIP ISOLATION CONTACT 2995B10053

S - FIT STANDARD CONTACT 2995B10054

SECURE CONTACTS USING FIXING SCREW

2109F99009.

POSITIONS SHOWN BLANK ARE UNUSED



VIEW FROM NUMBERED SIDE OF BLOCK

OUTER TERMINAL BLOCK ASSY: -

ASSEMBLY INSTRUCTIONS: -

TYPICAL ASSEMBLY DRAWING 2995G10029.

AT INDICATED POSITIONS FIT AS FOLLOWS:

S - FIT STANDARD CONTACT 2995B10051

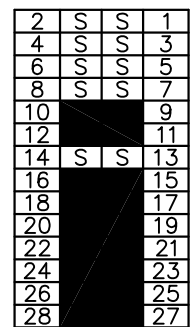
HC - FIT 'HEAVY CURRENT' KIT 2995G10030

WHERE IS SHOWN FIT CT SHORTING

KIT 2995G10031

POSITIONS SHOWN BLANK ARE UNUSED.

ALL POSITIONS FIT SCREW 2106F12506.



VIEW FROM INSIDE FACE

Copyright © 1999 VATECH REYROLLE ACP Ltd. Hebburn

			Title. T.B. AND W.D. FOR XR152/XR153 4 CONT. 24V, 48V AND 125V IN A E2 CASE.	First used on:	
5 RDW	02/07/12	MN112/3500 JB	<b>VATECH REYROLLE</b> <b>AUTOMATION, CONTROL &amp; PROTECTION</b>	Similar Articles:	
4 RDW	27/07/07	MN112/2888		Supersedes:	
3 RDW	22/10/04	HD ADDED MN112/2667		Drg.No.	2112W50095
2	22/3/02	MN112/2268		Original Scale.	
1	28/4/99				
ISSUE	DATE	MOD.No.			
DRAWN: A.LAW.	CHECKED:	APPROVED: R.D.WATSON	DATE: 17/07/02	IE:	OPS: