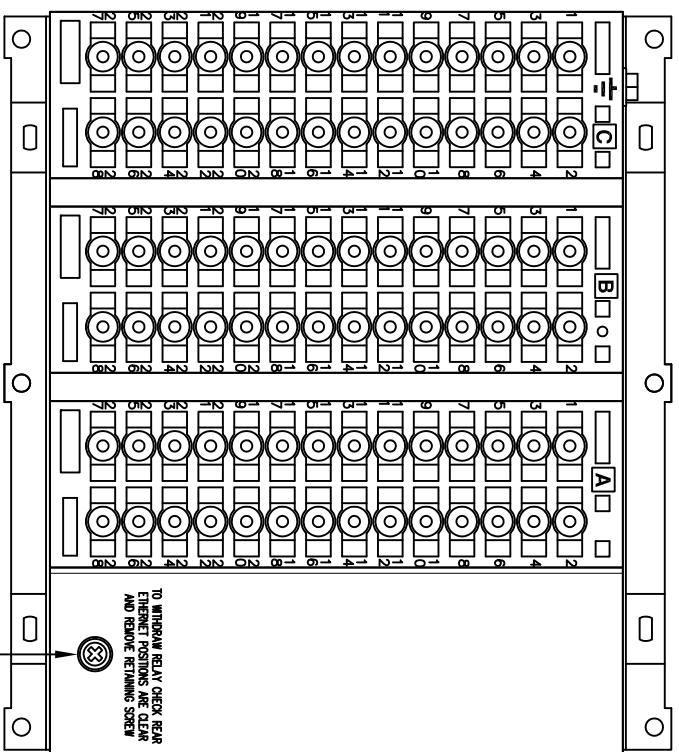
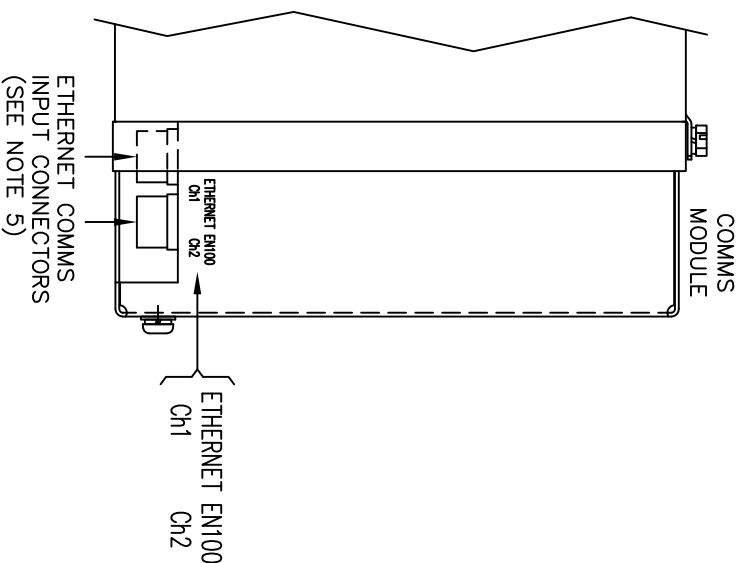


1 IF IN DOUBT ASK
2 DO NOT SCALE



RELAY VIEWED FROM REAR

TO WITHDRAW RELAY CHECK REAR ETHERNET POSITIONS ARE CLEAR AND REMOVE RETAINING SCREW



PART SIDE VIEW ON ARROW 'A'

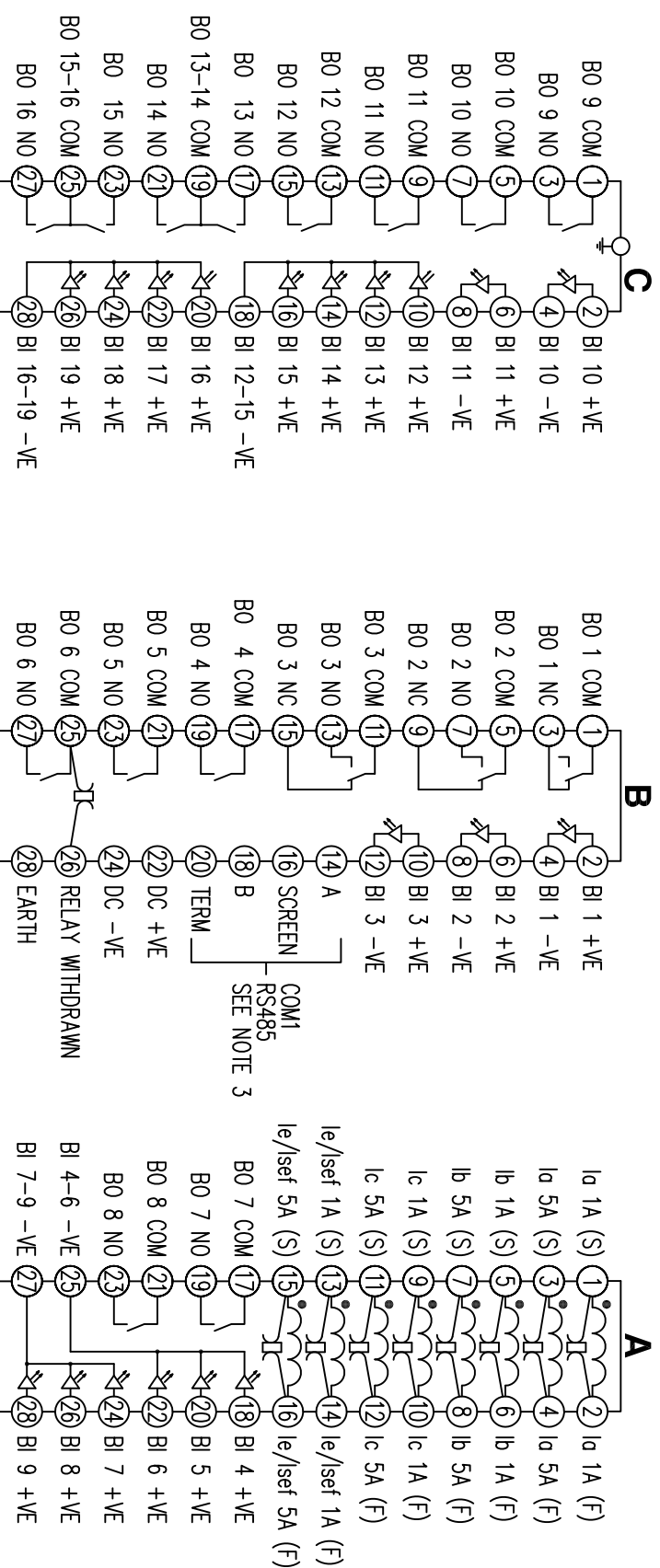
- NOTES
- 1) TERMINALS RECOMMENDED ARE PRE-INSULATED & MUST BE CRIMPED USING APPROVED TOOLING. AMP PIDG OR PLASTI GRIP FUNNEL ENTRY (RING TONGUE) FOR M4 FIXING STUD.
 - 2) FOR OUTLINE & PANEL DRILLING, SEE 2995X10020 (A4).
 - 3) CONNECTIONS TO THIS COMMUNICATIONS FACILITY IS BY SCREENED, TWISTED PAIR CABLE, ON SITE. WHEN WIRING OTHER FACILITIES ENSURE THAT THESE TERMINALS ARE NOT OBSCURED BY OTHER WIRE RUNS.
 - 4) CONTACTS SHOWN THUS AND ARE INTERNAL RELAY CASE ASSEMBLY AND CLOSE WHEN THE RELAY CHASSIS IS WITHDRAWN FROM THE CASE.
 - 5) THE ETHERNET PORTS CAN BE EITHER - FIBRE OPTIC(x2) OR ELECTRICAL(x2)

ABBREVIATIONS

I-CURRENT INPUTS
BI-BINARY INPUTS
BO-BINARY OUTPUTS
CO-CHANGE OVER BINARY OUTPUT CONTACTS
NO-NORMALLY OPEN BINARY OUTPUT CONTACTS
NC-NORMALLY CLOSED BINARY OUTPUT CONTACTS

COMMUNICATIONS IDENTIFICATION

COM1	RS485 (ON BLOCK 'B' TERMINALS 14,16,18 & 20)
COM2	USB TYPE 'B' PORT (ON RELAY FRONT LABEL)
COM3	ETHERNET(x2) PORTS (ON REAR COMMS MODULE)



Copyright © 2010 Siemens Protection Devices Ltd. Hebburn

3 RDW	18.07.13	RETAINING SCREW POSITION CHANGED.
30/7/13		IM435/3650, 3JH770, KB
2 RDW	19/01/11	SILK SCREENED LEGEND CHANGED. WERE LABELS & LEGEND BLN_3HB_110119 AND SPD_L IM435/3380 KB
A	10/08/10	CHANGE NOTED

MATERIAL:

Dimensions in millimetres : Surface texture in micrometres. Machine where marked ∇

For explanation of dimensions, tolerances, notes etc. see B.S.308.

Limit on untoleranced unmachined dimensions \pm

Limits on intoleranced machined dimensions to B.S.4500:

i.e. up to 6 \pm 0.1; over 30 to 120 \pm 0.3; over 315 \pm 0.8; over 6 to 30 \pm 0.2; over 120 to 315 \pm 0.5; General unmachined angular tolerance \pm

DRAWN K.BURDON CHECKED

APPROVED

DATE

IE

OPS

PCP

Purch. Spec. TQ

EAC

CE

STD

A3

Finish:

Treatment:

Title:
7SR210, E8, TERMINAL ID & WIRING DIAGRAM
4I,19BI,2CO,13NO,1NC, RS485, ETHERNET(x2) COMMS

SIEMENS PROTECTION DEVICES LTD.

Original Scale.

NTS

Drg. No.

2435W40070