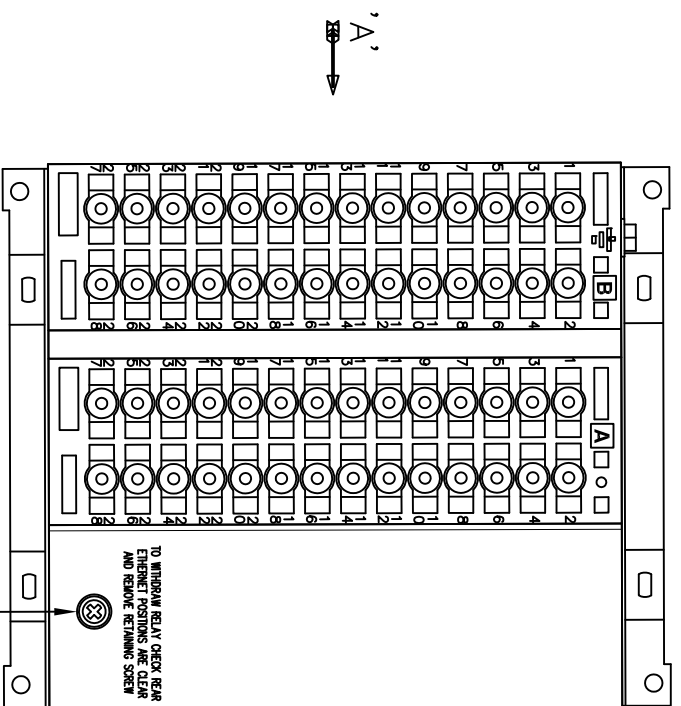


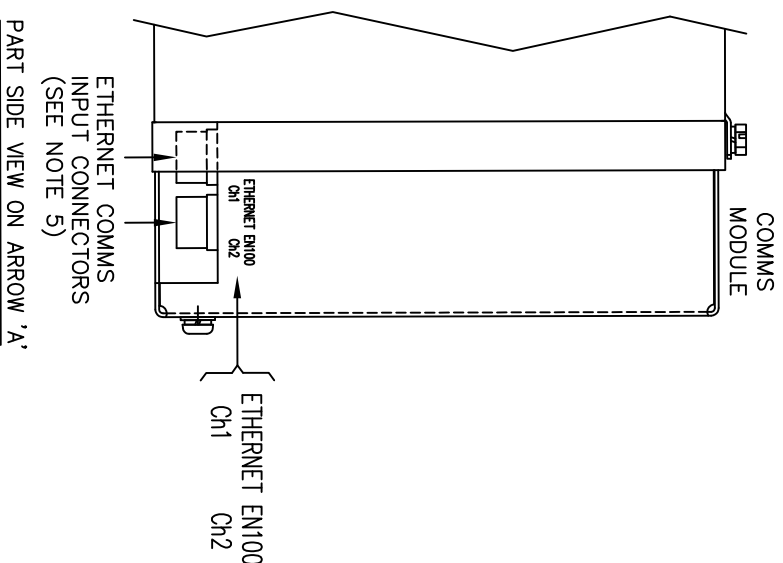
IF IN DOUBT ASK
DO NOT SCALE



NOT SUBJECT TO UPDATE
ONCE COPIED / PRINTED
OR DOWNLOADED

RELAY VIEWED FROM REAR

TO WITHDRAW RELAY CHECK REAR
ETHERNET POSITIONS ARE CLEAR
AND REMOVE RETAINING SCREW



PART SIDE VIEW ON ARROW 'A'

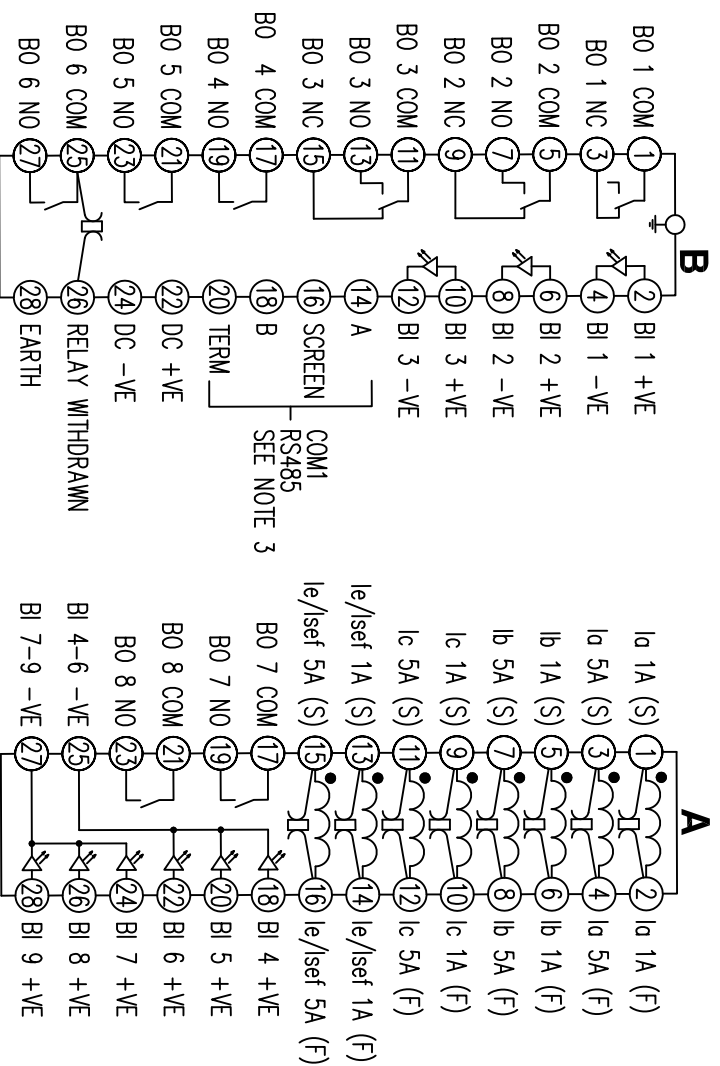
- NOTES
- 1) TERMINALS RECOMMENDED ARE PRE-INSULATED & MUST BE CRIMPED USING APPROVED TOOLING. AMP PIDG OR PLASTI GRIP FUNNEL ENTRY (RING TONGUE) FOR M4 FIXING STUD.
 - SUPPLIER PART NUMBER CABLE SIZE
AMP 342103 0.25-1.6mm²
AMP 342143 1.0-2.6mm²
 - OR ANY OTHER MANUFACTURERS EQUIVALENT TERMINAL.
 - 2) FOR OUTLINE & PANEL DRILLING, SEE 2995X10020 (A4).
 - 3) CONNECTIONS TO THIS COMMUNICATIONS FACILITY IS BY SCREENED, TWISTED PAIR CABLE, ON SITE. WHEN WIRING OTHER FACILITIES ENSURE THAT THESE TERMINALS ARE NOT OBSCURED BY OTHER WIRE RUNS.
 - 4) CONTACTS SHOWN THUS AND ARE INTERNAL RELAY CASE ASSEMBLY AND CLOSE WHEN THE RELAY CHASSIS IS WITHDRAWN FROM THE CASE.
 - 5) THE ETHERNET PORTS CAN BE EITHER -
2 x FIBRE OPTIC OR 2 x ELECTRICAL.

ABBREVIATIONS

I-CURRENT INPUTS
BI-BINARY INPUTS
BO-BINARY OUTPUTS
CO-CHANGE OVER BINARY OUTPUT CONTACTS
NO-NORMALLY OPEN BINARY OUTPUT CONTACTS
NC-NORMALLY CLOSED BINARY OUTPUT CONTACTS

COMMUNICATIONS IDENTIFICATION

COM1	RS485 (ON BLOCK 'B' TERMINALS 14,16,18 & 20)
COM2	USB TYPE 'B' PORT (ON RELAY FRONT LABEL)
COM3	ETHERNET(x2) PORTS (ON REAR COMMS MODULE)



MATERIAL:

Dimensions in millimetres : Surface texture in micrometres.

Machine where marked ✓

For explanation of dimensions, tolerances, notes etc. see B.S.308.

Limit on untoleranced unmachined dimensions ±

Limits on untoleranced machined dimensions to B.S.4500:

i.e. up to 6±0.1; over 30 to 120±0.3; over 315±0.5;

over 6 to 30±0.2; over 120 to 315±0.5;

General unmachined angular tolerance ±

DRAWN K.BURDON CHECKED RD.WATSON APPROVED RD.WATSON

Finish: _____
Treatment: _____

Title:
7SR210, E6, TERMINAL ID & WIRING DIAGRAM
4I, 9BI, 2C0, 5NO, 1NC, RS485, ETHERNET(x2) PORTS

SIEMENS PROTECTION DEVICES LTD.

Original Scale:
NTS

Dwg. No.
2435W40069

Copyright © 2010 Siemens Protection Devices Ltd. Hebburn

First used on:

Similar Articles:

Supersedes:

3 RDW	30/7/13	18.07.13	RETAINING SCREW POSITION CHANGED.
2 RDW	19/01/11	19/01/11	SILK SCREENED LEGEND WERE LABELS & LEGEND CHANGED. BLN.3HBB_110119 AND 9PDL MNA35/3380 KB
1		02/08/10	CHANGE



DATE 19/11/2010

IE

OPS

PCP

Purch.Spec. TQ

EAC

CE

STD

A3