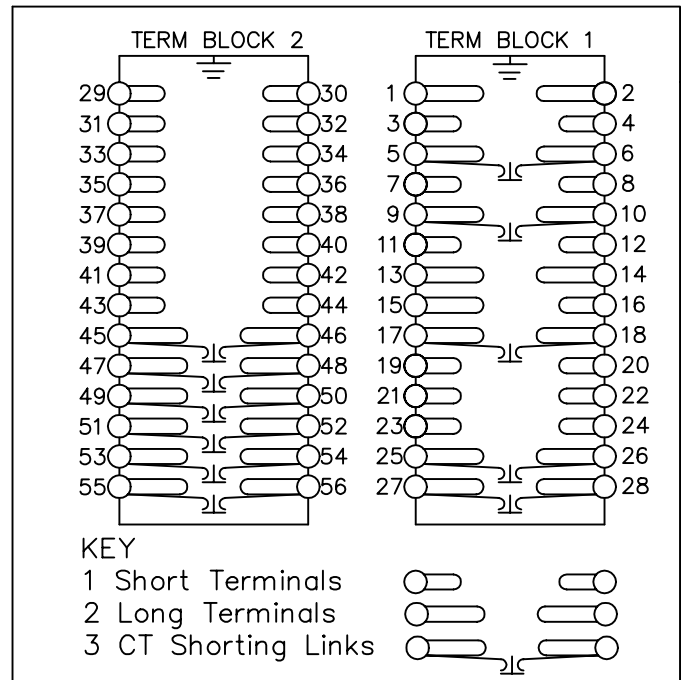


TERMINAL BLOCKS VIEWED FROM REAR



NOTES

- 1 CT CIRCUITS ARE SHOWN CONNECTED TO RELAY 1 AMP TAP. USE ALTERNATIVE TAP FOR 5AMP RATED CTs.
- 2 CT & EARTH CONNECTIONS ARE TYPICAL ONLY.
- 3 FOR TERMINAL DIAGRAM SEE 2434W20001 (A2)
- 4 DRG SHOWS OPTION B (11 O/P. 5 I/P).

**NOT SUBJECT TO UPDATE ONCE COPIED / PRINTED OR DOWNLOADED**

MATERIAL:

Dimensions in millimetres : Surface texture in micrometres. Machine where marked ✓  
 For explanation of dimensions, tolerances, notes etc. see B.S.308.  
 Limit on untoleranced unmachined dimensions ± \_\_\_\_\_  
 Limits on untoleranced machined dimensions to B.S.4500;  
 i.e. up to 6±0.1; over 30 to 120±0.3; over 315±0.8;  
 over 6 to 30±0.2; over 120 to 315±0.5;  
 General unmachined angular tolerance ± \_\_\_\_\_

Finish: \_\_\_\_\_  
 Treatment: \_\_\_\_\_

Title: TYPICAL SCHEME DIAGRAM FOR 3 PHASE + E/F (DIR).  
 DCD OVERCURRENT RELAY

**Reyrolle Protection Hebburn.**

Original Scale: NTS

First used on: \_\_\_\_\_  
 Similar Articles: 2434W10042  
 Supersedes: \_\_\_\_\_  
 Drg. No. 2434W10027

2	20/10/97	MN434/103
1	16/10/97	CHANGE NOTED
ISSUE	DATE	NOTED

Copyright © Reyrolle Ltd.