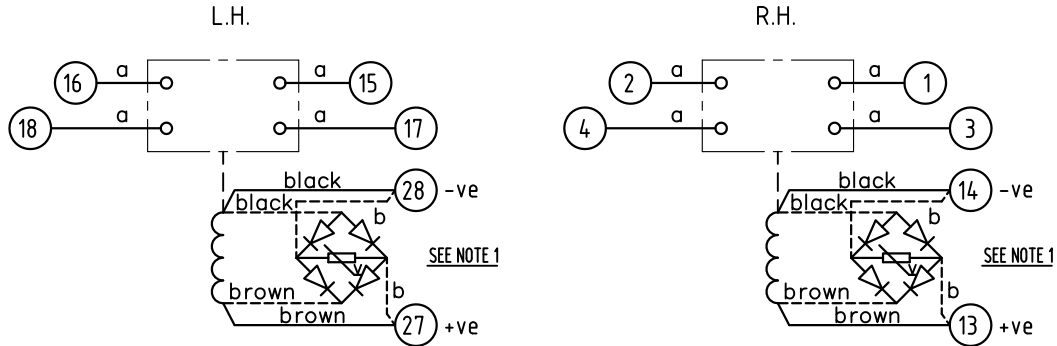


LOOKING ON FRONT OF RELAY



NOT SUBJECT TO UPDATE  
ONCE COPIED / PRINTED  
OR DOWNLOADED

| ASSEMBLY WIRES USED |                  |
|---------------------|------------------|
| a                   | 2107B10002 8 OFF |
| b                   | 2107D10161 4 OFF |

- KEY**
- make contact
  - break contact
  - c/o contact
  - ext. conn
  - plug bridge - shorting
  - metering point
  - 5Kv barrier
  - test socket - shorting
  - plug & socket

| F.R. COILS SEE BOMS AND CUSTOMER ORDERS FOR SETTINGS |                                    |            |            |            |            |            |
|--|------------------------------------|------------|------------|------------|------------|------------|
| A.R. COILS ONLY                                      | 2112G20019                         | 2112G20020 | 2112G20022 | 2112G20023 | 2112G20026 | 2112G20029 |
| Vdc  | 24                                 | 30         | 50         | 60         | 125        | 240        |
| CONTACT CONFIG.                                      | OUTPUT CONTACT PAIR / TERMINAL No. |            |            |            |            |            |
| TOP →  | 1-3                                | 2-4        | 5-7        | 6-8        | 9-11       | 10-12      |
| BOT. →   | 15-17                              | 16-18      | 19-21      | 20-22      | 23-25      | 24-26      |
| 2M   | M                                  | M          |            |            |            |            |
| 1M 1B  | M                                  | B          |            |            |            |            |
| 2B   | B                                  | B          |            |            |            |            |
|  |                                    |            |            |            |            |            |
|  |                                    |            |            |            |            |            |
|  |                                    |            |            |            |            |            |
|  |                                    |            |            |            |            |            |

NOTE:  
1. DASHED LINE --- SHOWS CONNECTIONS WHEN RECTIFIERS ARE FITTED, (AC APPLICATIONS ONLY).

FRAME REFERENCE: E2FAQQ.  
FRAME TERMINAL BLOCK ASSY: -

ASSEMBLY INSTRUCTIONS: -  
TYPICAL ASSEMBLY DRAWING 2995G10032.  
AT INDICATED POSITIONS FIT AS FOLLOWS:  
T - FIT TRIP ISOLATION CONTACT 2995B10053  
S - FIT STANDARD CONTACT 2995B10054  
SECURE CONTACTS USING FIXING SCREW 2109F99009.  
POSITIONS SHOWN BLANK ARE UNUSED

|    |   |   |    |
|----|---|---|----|
| 2  | T | T | 1  |
| 4  | T | T | 3  |
| 6  |   |   | 5  |
| 8  |   |   | 7  |
| 10 |   |   | 9  |
| 12 |   |   | 11 |
| 14 | S | S | 13 |
| 16 | T | T | 15 |
| 18 | T | T | 17 |
| 20 |   |   | 19 |
| 22 |   |   | 21 |
| 24 |   |   | 23 |
| 26 |   |   | 25 |
| 28 | S | S | 27 |

VIEW FROM NUMBERED SIDE OF BLOCK

OUTER TERMINAL BLOCK ASSY: -

ASSEMBLY INSTRUCTIONS: -  
TYPICAL ASSEMBLY DRAWING 2995G10029.  
AT INDICATED POSITIONS FIT AS FOLLOWS:  
S - FIT STANDARD CONTACT 2995B10051  
HC - FIT 'HEAVY CURRENT' KIT 2995G10030  
WHERE IS SHOWN FIT CT SHORTING  
KIT 2995G10031  
POSITIONS SHOWN BLANK ARE UNUSED.  
ALL POSITIONS FIT SCREW 2106F12506.

|    |   |   |    |
|----|---|---|----|
| 2  | S | S | 1  |
| 4  | S | S | 3  |
| 6  |   |   | 5  |
| 8  |   |   | 7  |
| 10 |   |   | 9  |
| 12 |   |   | 11 |
| 14 | S | S | 13 |
| 16 | S | S | 15 |
| 18 | S | S | 17 |
| 20 |   |   | 19 |
| 22 |   |   | 21 |
| 24 |   |   | 23 |
| 26 |   |   | 25 |
| 28 | S | S | 27 |

VIEW FROM INSIDE FACE

|             |          |          |      |                      |  |                                |   |
|-------------|----------|----------|------|----------------------|--|--------------------------------|---|
| 1           | 21/05/15 | ISSUE    | DATE | MOD.No.              | Title.<br>T.B. AND W.D. FOR AR /2- -<br>2 CONT. RELAYS IN EPSILON E4 CASE. | First used on:                 | Similar Articles:   |
|             |          |          |      |                      | Reyrolle Protection<br>Hebburn.  | Original Scale.<br>.           | Supersedes:<br>Drg.No.<br><span style="font-size: 2em;">2112W50250</span> |
| DRAWN: K.B. |          | CHECKED: |      | APPROVED: N.CAMPBELL |  | Copyright © 2015 Reyrolle Ltd. |   |