

Features and Ratings

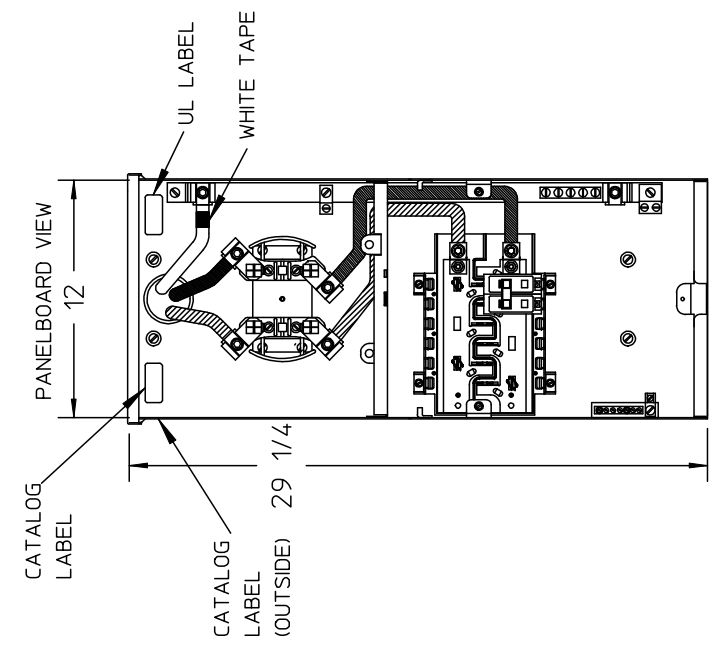
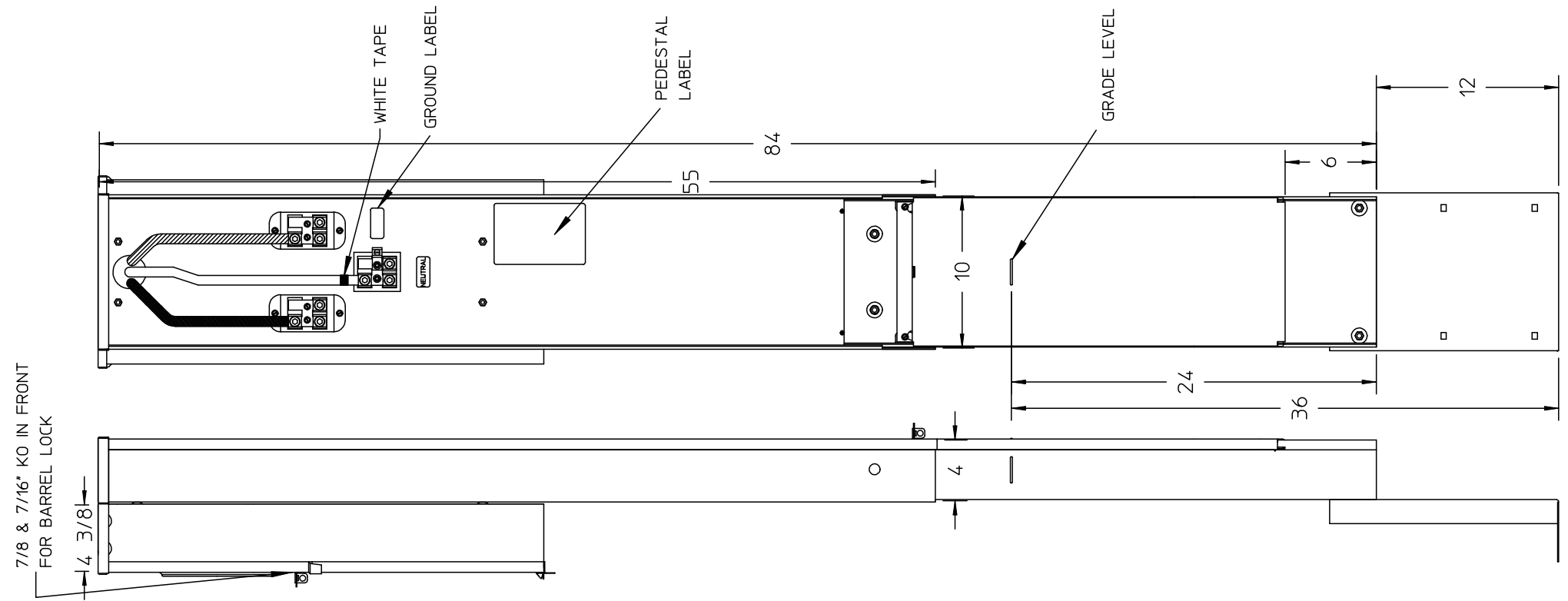
- Unit Rating: 200A Max., 120/240VAC
- Meter Socket Rating: 200A Continuous
- Ringless, No Bypass Meter Socket
- Outdoor Enclosure (NEMA Type 3R)
- Painted G90 Steel
- 1 Phase, 3 Wire
- 4 Jaw Meter Socket
- For Underground Service Only

Accessories

- Pad Mount Kit:
Cat No: MPFLANGE
- Pedestal Extension:
Cat No: MPEXT
- Filler Plate:
Cat No: ECQF3

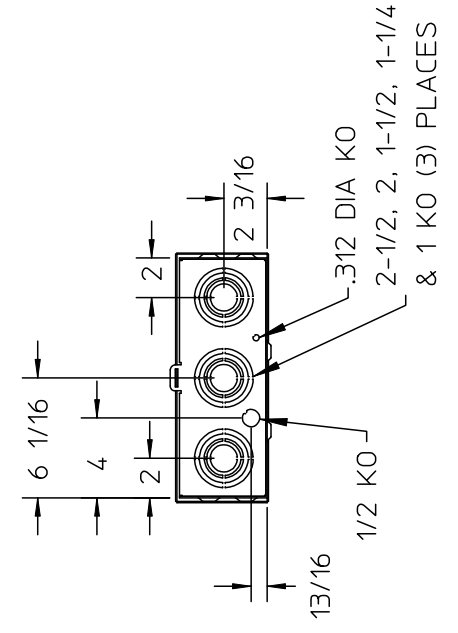
Connectors, Wire Sizes and Torques

| CONNECTOR | WIRE SIZE | TORQUE |
|-----------------------|-------------------------|--------------|
| A, B, N | #6 - #1 AWG | 75 LB. IN. |
| | 1/0 - 350 KCMIL | 275 LB. IN. |
| LARGE LOAD NEUTRAL N1 | #6 - 250 KCMIL | 275 LB. -IN. |
| SMALL LOAD NEUTRAL N2 | #14 - 1/0 AWG | 50 LB. IN. |
| GROUND G1 | #14 - 1/0 AWG | 50 LB. IN. |
| EQUIP GROUND G2 | #14 - 4 AWG | 50 LB. IN. |
| EQUIP GROUND G3 | #14 - 2 AWG | 50 LB. IN. |
| GROUND G4 | #14 - 2/0 AWG | 50 LB. IN. |
| BRANCH BREAKER | SEE MARKINGS ON BREAKER | |

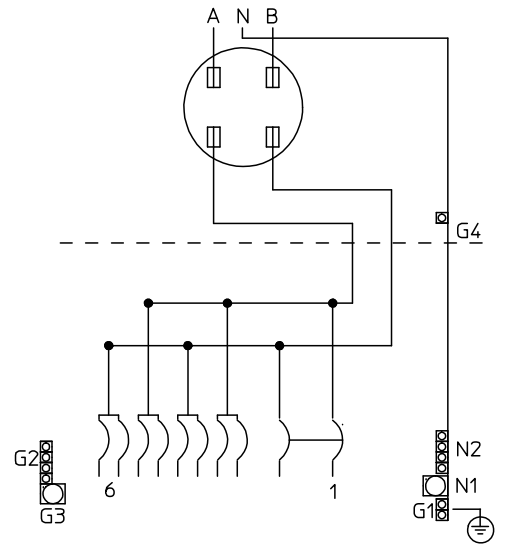


NOTES:

1. PEDESTAL IS FABRICATED FROM 14 GAUGE GALVANIZED STEEL
2. PANELBOARD ENCLOSURE IS FABRICATED FROM 16 GAUGE GALVANIZED STEEL
3. BREAKER COMPARTMENT COVER IS HINGED AT TOP AND LOCKS INTO OPEN POSITION
4. 120/240 VAC, 200 AMP, 1 PHASE, 3 WIRE. 125A BRANCH BREAKER INSTALLED
5. LOAD TERMINALS ARE RATED FOR 60° C OR 75° C CONDUCTOR
6. SIEMENS ACCEPTABLE BREAKER TYPES:15-100A "QP" (2) 2-POLE OR UP TO (4) 1-POLE'



BOTTOM VIEW



© 2015 Copyright Siemens Industry, Inc.



MOBILE HOME PEDESTAL

| | | | |
|------------------------------|----------------------|---------|--------------|
| Description: | | | |
| 1 SKT/BKR/PED 200A 1P | | | |
| CH 7/11/15 | DO NOT SCALE DRAWING | Dwg No: | MP0406B1125R |