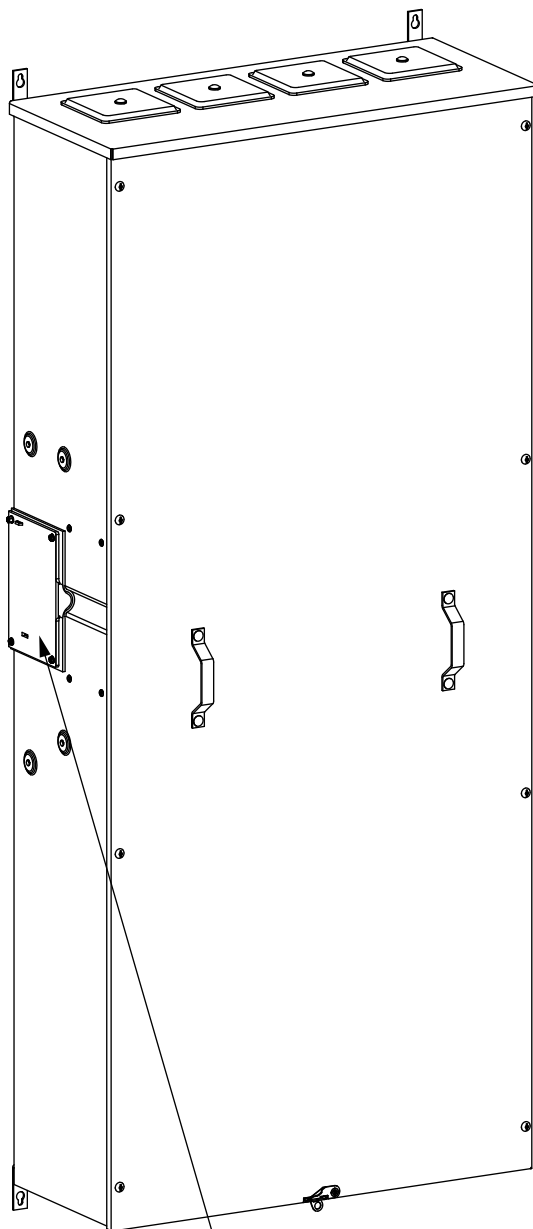
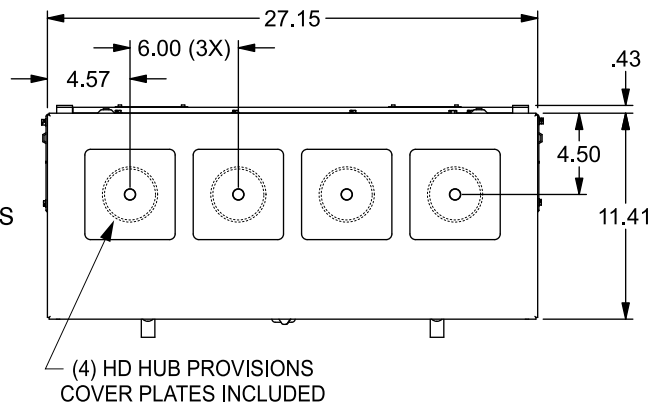
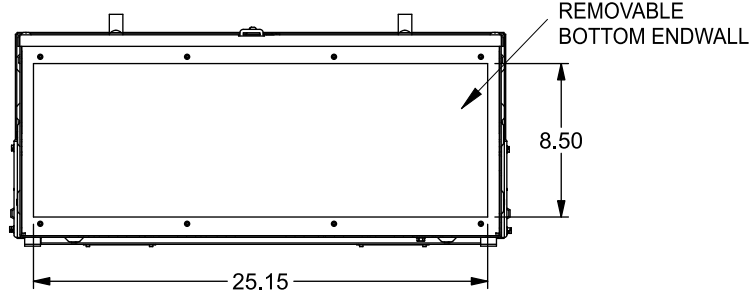
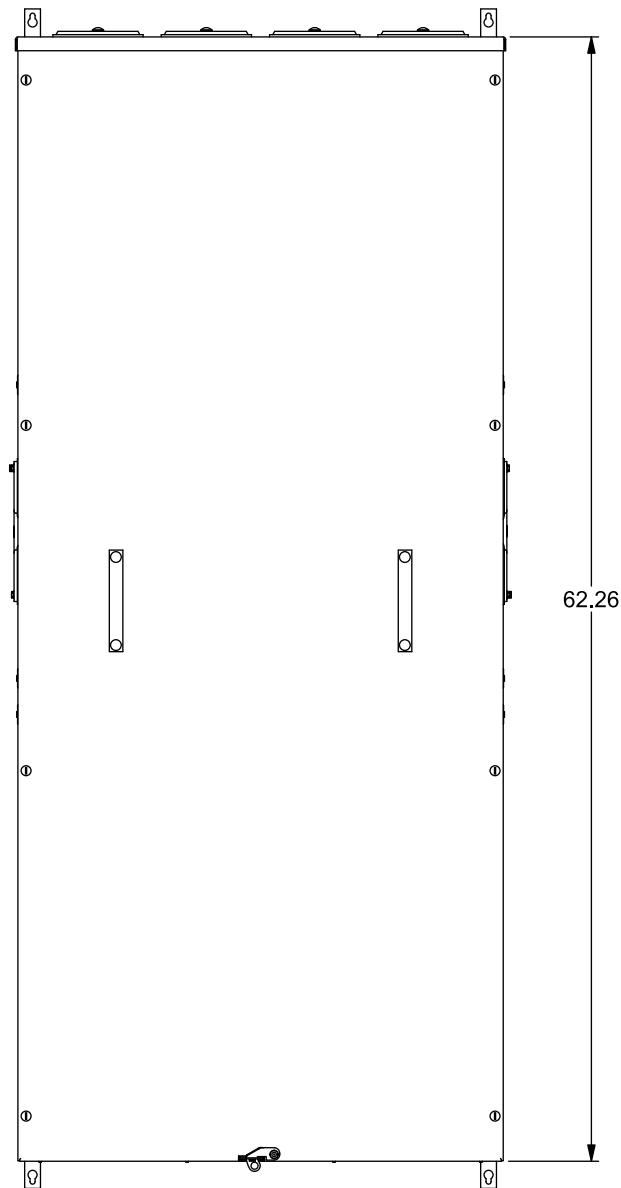


## Features and Ratings

- MODULE RATING: 800 AMPS, 240V AC MAX.,
- 3 PHASE
- 100,000 AIC RATING MAX,  
SEE DIAGRAM FOR DETAILS
- TYPE 3R OUTDOOR ENCLOSURE
- FOR OVERHEAD OR UNDERGROUND SERVICE
- MOUNTING RAILS AND ADJUSTABLE BRACKETS  
FOR SECURE MOUNTING



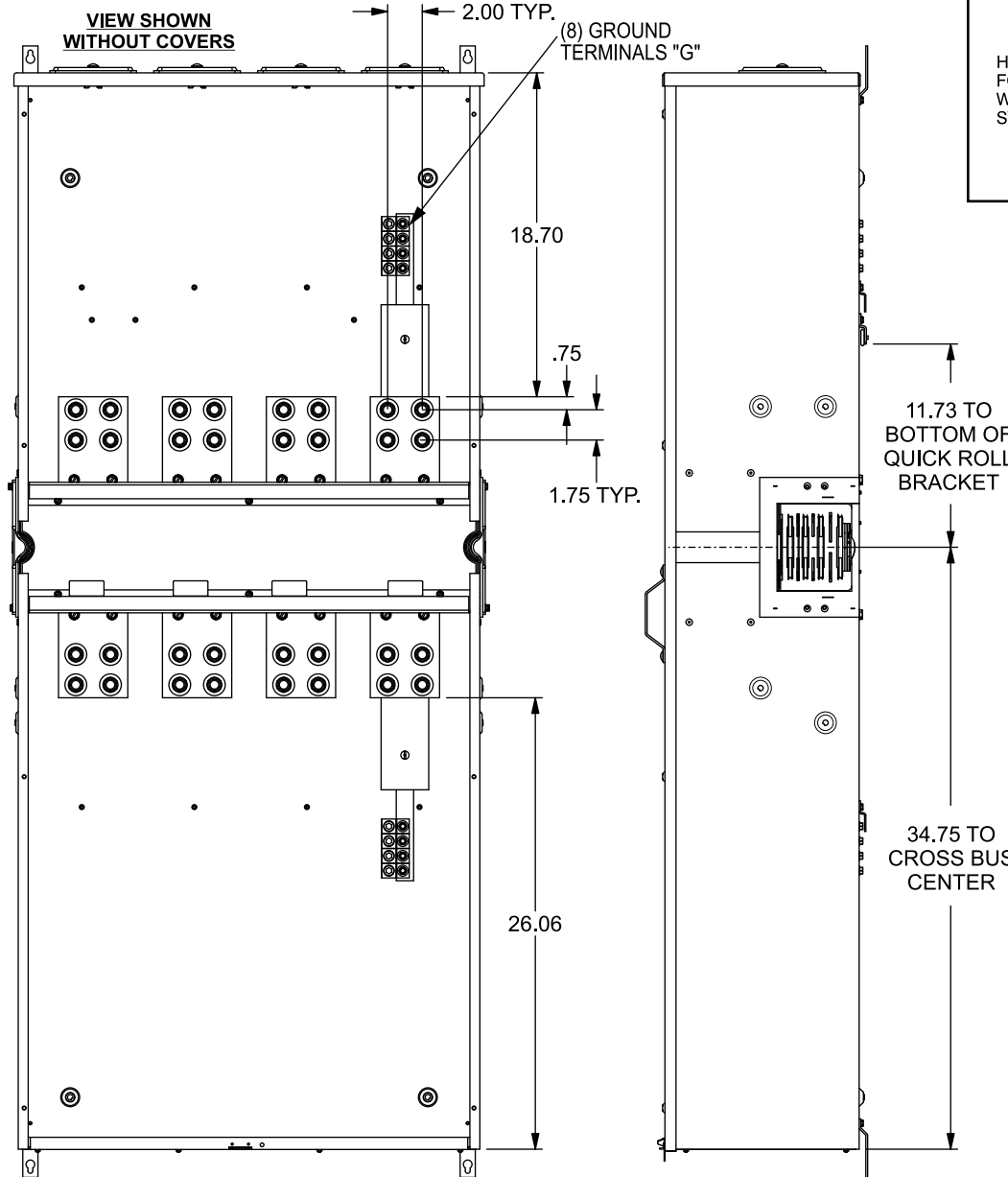
END PLATE  
INSTALLED  
(BOTH SIDES)



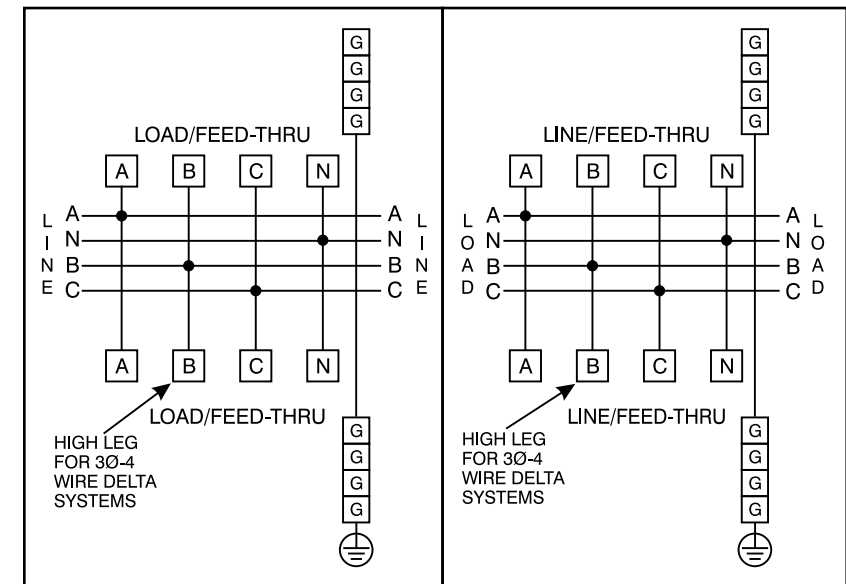
## Lug Kits and Replacement Parts

| Lugs for Phase and Neutral Connections (not supplied) |   |         |               |             |                     |                  |
|---|---|---------|---------------|-------------|---------------------|------------------|
| Lug No.   | ① | MFG     | Wire Range    | Type        | No. Wires per phase | Torque (lb.-in.) |
| LK32600N2   |   | Siemens | #2-600 kcmil  | Mechanical  | 2                   | 500              |
| LK32750N2   |   | Siemens | 300-750 kcmil | Mechanical  | 2                   | 500              |
| LK33500N2   |   | Siemens | 1/0-500 kcmil | Mechanical  | 3                   | 500 ②            |
| LK34500N2   |   | Siemens | 1/0-500 kcmil | Mechanical  | 4                   | 500              |
| 2ACL-500  |   | ILSCO   | 500 kcmil     | Compression | 3                   | NA ③             |
| 2ACL-600  |   | ILSCO   | 600 kcmil     | Compression | 2                   | NA ③             |
| 2ACL-750  |   | ILSCO   | 750 kcmil     | Compression | 2                   | NA ③             |

- ① Order one mechanical lug kit for mains and neutral. Contact lug manufacturer for compression lug quantities supplied for each kit.
- ② Kit contains more than one lug type.
- ③ See lug manufacturer's instruction sheet supplied with the connector for tool, die, and number of crimps.



## Schematic



**Terminals A, B, C and N:**  
See Lug Chart for applicable lug kits, wire size and torque information.

**Ground Terminal G:** Wire size #4-300 kcmil.  
Torque terminal to 250 lb.-in.

## Additional Modules

**IMPORTANT - for use with:**

| Module Description | Siemens Series#                              |
|--------------------|--|
| Main Breakers      | WB(M), WEB(M), WXB, BFT                      |
| Switches           | WMP, WS, WES, WXS                            |
| Tap/Terminal Boxes | WTB, WET, WT_PU, WTBN, WBT                   |
| Pull Boxes         | WMMB   |
| Meter Module       | (W)MM, (W)MT, (W)ML, (W)MK, (W)MLZ(F), (W)MN |
| Meter Combinations | WC, WCL, WCT,                                |
| Extension Box      | WSP, WSPD                                    |
| Bussed Elbow       | BE, WELB                                     |

**Connect Modules Using:** Cat. No. Torque  
Quick Connect QC4 400-440 lb-in (35-36 ft.-lb.)

## Accessories

| Siemens Accessories | Catalog Number |
|---------------------|----------------|
| Hub Cover Plate     | EC56933S       |
| Type HD Hub 2"      | EC56854        |
| Type HD Hub 2-1/2"  | EC56855        |
| Type HD Hub 3"      | EC56856        |
| Type HD Hub 3-1/2"  | EC56857        |
| Type HD Hub 4"      | EC56858        |

© 2018 Copyright Siemens Industry, Inc.

**SIEMENS**  
Siemens Industry, Inc.

## PowerMod™ Feed-Thru Tap Boxes

Description: **800A, 3 Phase, Feed-Thru Tap Box w/Hub Openings**

KAM 1/23/18 DO NOT SCALE DRAWING Dwg No: **WT3800PU**

**Catalog No. WT3800PU**