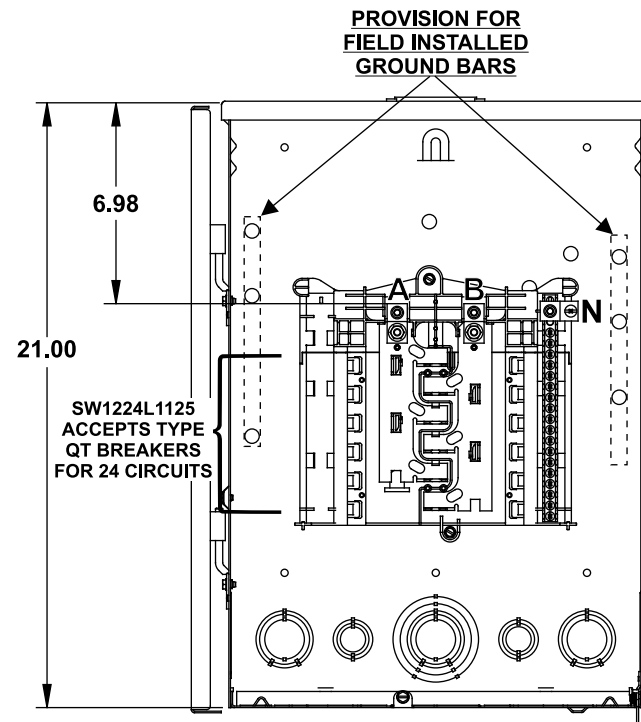


Catalog Numbers, Features and Ratings

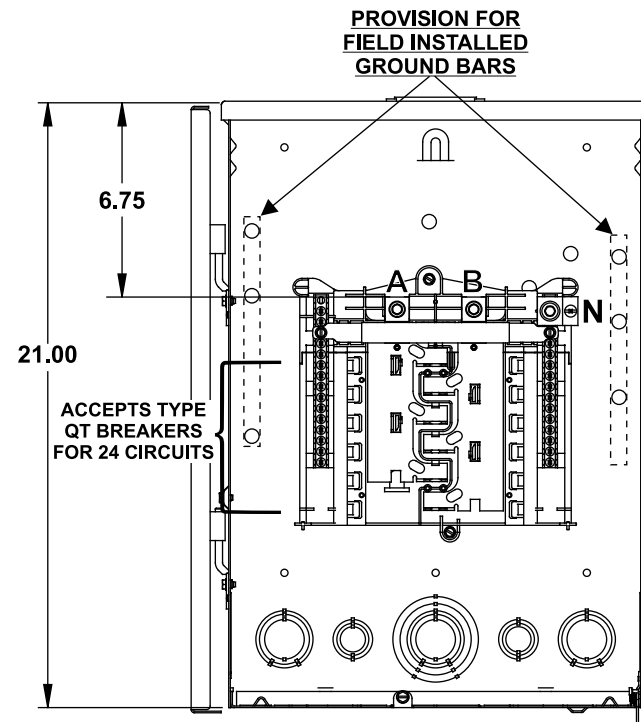
- 1 PHASE, 3 WIRE, 120/240V ~
- 100K AIC MAX. RATED
(SEE WIRING DIAGRAM FOR DETAILS)
- MAIN LUG ONLY
- TYPE N3R OUTDOOR ENCLOSURE
- ANSI 61 GRAY POWDER COATED

Catalog Number	ENCLOSURE DIMS			Amps Max	Number Spaces	Number Circuits	Bus Bar Material	Bus Bar Plating	Percent Neutrals
	L	W	D						
SW1212L1125	21.00	14.25	3.88	125	12	12	Aluminum	Tin Plated	75%
SW1224L1125	21.00	14.25	3.88	125	12	24	Aluminum	Tin Plated	75%
SW1224L1200	21.00	14.25	3.88	200	12	24	Aluminum	Tin Plated	100%
SW1224L1225	23.00	14.25	3.88	225	12	24	Aluminum	Tin Plated	100%

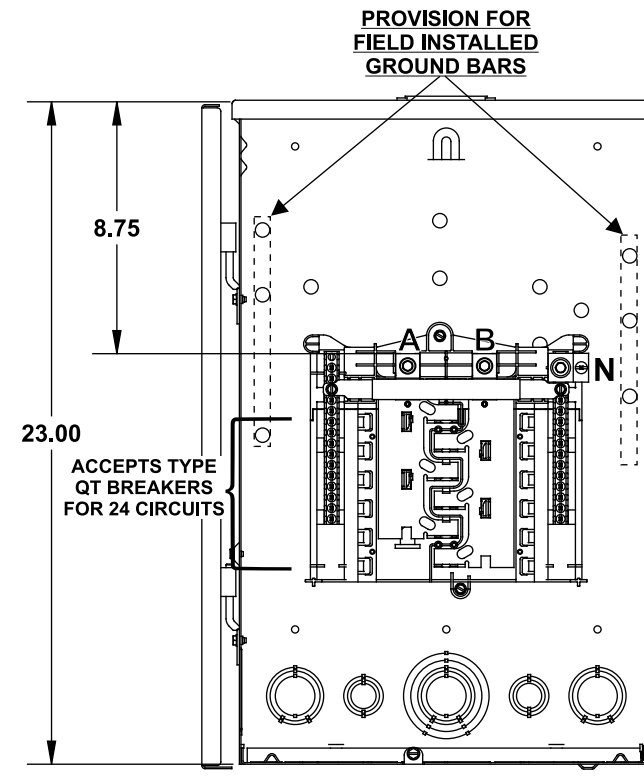
SW1212L1125 SW1224L1125



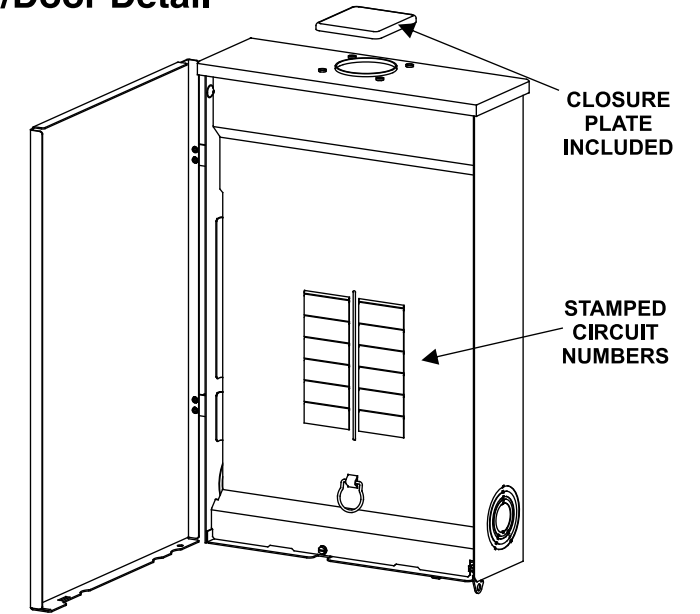
SW1224L1200



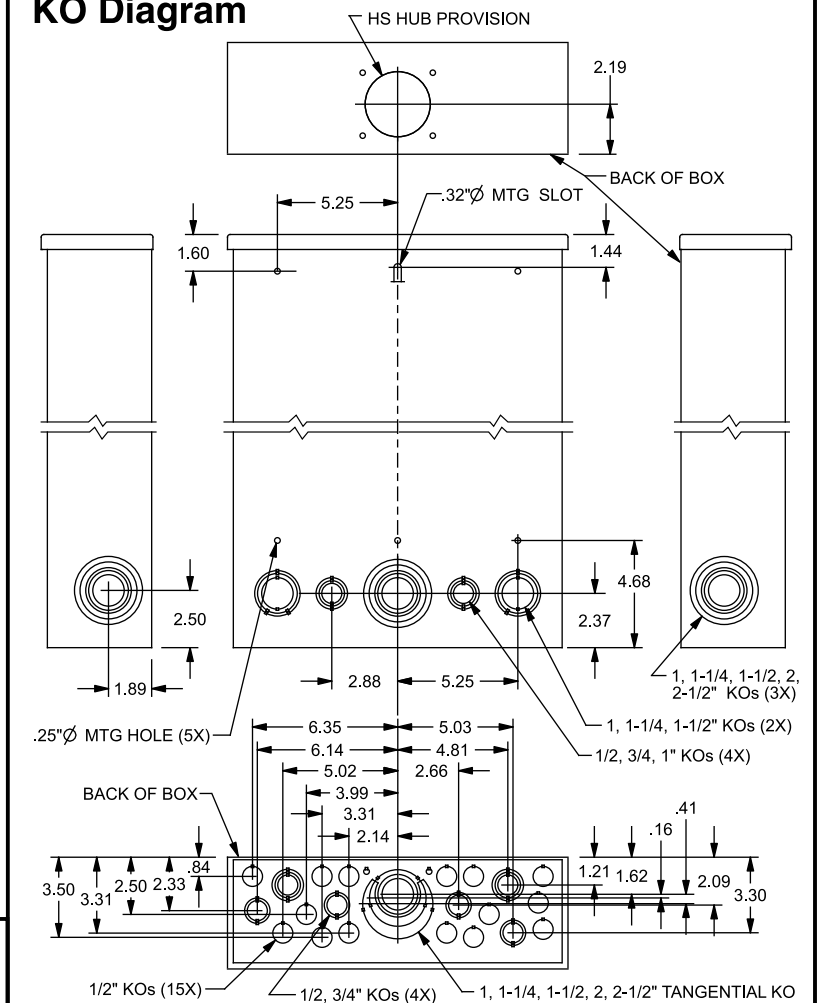
SW1224L1225



Trim/Door Detail



KO Diagram



TERMINAL WIRE SIZES AND TORQUES

SW1212L1125 SW1224L1125

USE COPPER OR ALUMINUM 60°/75°C WIRE
SEE BREAKER MARKINGS FOR WIRE SIZE AND TORQUE REQUIREMENTS

TERMINALS	WIRE	TORQUE
A, B, N	2/0-4 AWG	110 LB-INS
NEUTRAL/GROUND BARS (USE TYPE EC1GB or EC2GB GND BAR KIT ACCESSORY)	10-14 CU/10-12 AL 8 AWG 25 LB-INS 6-4 AWG 35 LB-INS	20 LB-INS 25 LB-INS 35 LB-INS
GROUND CONDUCTORS ONLY	(2)or(3) 14 AWG (2) 12-10 AWG	20 LB-INS 20 LB-INS
ECLK1-2 NEUTRAL LUG KIT	2/0-2 AWG	45 LB-INS
ECLK2 NEUTRAL LUG KIT	2/0-4 AWG	135 LB-INS
MAIN LUG/MAIN BRKR TO BUS CONNECTION (1/4-20 NUT)		45 LB-INS
BONDING SCREW		45 LB-INS

SW1224L1200

USE COPPER OR ALUMINUM 60°/75°C WIRE
SEE BREAKER MARKINGS FOR WIRE SIZE AND TORQUE REQUIREMENTS

TERMINALS	WIRE	TORQUE
A, B	300 kcmil - 4 AWG	275 LB-INS
N	3/0 - 4 AWG CU 250kcmil-4 AWG AL	275 LB-INS
NEUTRAL/GROUND BARS (USE TYPE EC1GB or EC2GB GND BAR KIT ACCESSORY)	10-14 CU/10-12 AL 8 AWG 25 LB-INS 6-4 AWG 35 LB-INS	20 LB-INS 25 LB-INS 35 LB-INS
GROUND CONDUCTORS ONLY	(2)or(3) 14 AWG (2) 12-10 AWG	20 LB-INS 20 LB-INS
ECLK1-2 NEUTRAL LUG KIT	2/0-2 AWG	45 LB-INS
ECLK2 NEUTRAL LUG KIT	2/0-4 AWG	135 LB-INS
ECLK3 NEUTRAL LUG KIT	300 kcmil - 1 AWG	340 LB-INS
MAIN LUG/MAIN BRKR TO BUS CONNECTION (1/4-20 NUT)		45 LB-INS
BONDING SCREW		45 LB-INS

SW1224L1225

USE COPPER OR ALUMINUM 60°/75°C WIRE
SEE BREAKER MARKINGS FOR WIRE SIZE AND TORQUE REQUIREMENTS

TERMINALS	WIRE	TORQUE
A, B	300 kcmil - 4 AWG	275 LB-INS
N	250kcmil-4 AWG CU 300kcmil - 4 AWG AL	275 LB-INS
NEUTRAL/GROUND BARS (USE TYPE EC1GB or EC2GB GND BAR KIT ACCESSORY)	10-14 CU/10-12 AL 8 AWG 25 LB-INS 6-4 AWG 35 LB-INS	20 LB-INS 25 LB-INS 35 LB-INS
GROUND CONDUCTORS ONLY	(2)or(3) 14 AWG (2) 12-10 AWG	20 LB-INS 20 LB-INS
ECLK1-2 NEUTRAL LUG KIT	2/0-4 AWG	45 LB-INS
ECLK2 NEUTRAL LUG KIT	2/0-4 AWG	135 LB-INS
ECLK3 NEUTRAL LUG KIT	300 kcmil - 1 AWG	340 LB-INS
MAIN LUG TO BUS CONNECTION (1/4-20 NUT)		45 LB-INS
BONDING SCREW		45 LB-INS

ACCESSORIES

REFER TO WIRING DIAGRAM FOR
CORRECT ACCESSORY USAGE

DESCRIPTION	CAT. NO.
FILLER PLATE, 1"	OF3
BREAKER HOLD-DOWN	ECMBR2
BONDABLE GROUND LUG	ECLKB1
SUBFEED LUG KIT	ECLK2125 ECLK2225
ARC FLASH LABEL	ECAFL
STANDBY PWR INTERLOCK KITS: ECSBPK01, ECSBPK02, ECSBPK05, ECSBPK06, ECSBPK07	

DESCRIPTION	CAT. NO.
TYPE EC1GB KIT, 8 SCREWS	EC1GB8
TYPE EC1GB KIT, 8 SCREWS, 2/0 LUG	EC1GB82
TYPE EC2GB KIT, 12 SCREWS	EC2GB12
TYPE EC2GB KIT, 12 SCREWS, 2/0 LUG	EC2GB122
TYPE EC2GB KIT, 15 SCREWS	EC2GB15
TYPE EC2GB KIT, 15 SCREWS, 2/0 LUG	EC2GB152

TRADE SIZE	CAT. NO.
1 INCH	EC1S100
1-1/4 INCH	EC1S125
1-1/2 INCH	EC1S150
2 INCH	EC1S200
2-1/2 INCH	EC1S250

© 2011 Copyright Siemens Industry, Inc.

SIEMENS
Siemens Industry, Inc.

ES Series Load Centers™

Description: **1 Phase, Outdoor,
12 Position, Main Lug Cut Sheet**

KAM 6/20/11 DO NOT SCALE DRAWING Dwg No: 10D_12_ES_ML