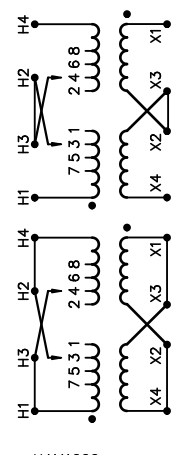


REVISION	DATE	BY	DATE	BY
		DRAWN	11/12/06	RB
		CHEK'D		
		VERIF'D		

Confidential - Property of <b>Siemens Industry, Inc.</b> Building Technologies Division	
CUSTOMER	
ORDER NO.	DWG. NO.
	1D1Y050CLN3TP1
	SH 1 OF 2



# SIEMENS

CATALOG NO. 1D1Y050CLN3TP1  
 SERIAL NO. SERIES H  
 50 kVA 60 Hz 1 PHASE  
 6.1 % IMP AT 170 °C  
 150 °C RISE °C AVG. AMBIENT  
 220 °C TEMP CLASS °C MAX. AMBIENT  
 PRIMARY ( H1 H3 H2 H4 ) 240X480V V  
 SECONDARY(X4 X2 X3 X1 ) 120/240V V  
 WINDING MATERIAL CU  
 ENCLOSURE TYPE NEMA-3R WEIGHT 420 LBS  
 ENERGY EFFICIENCY NEMA TP 1-2002



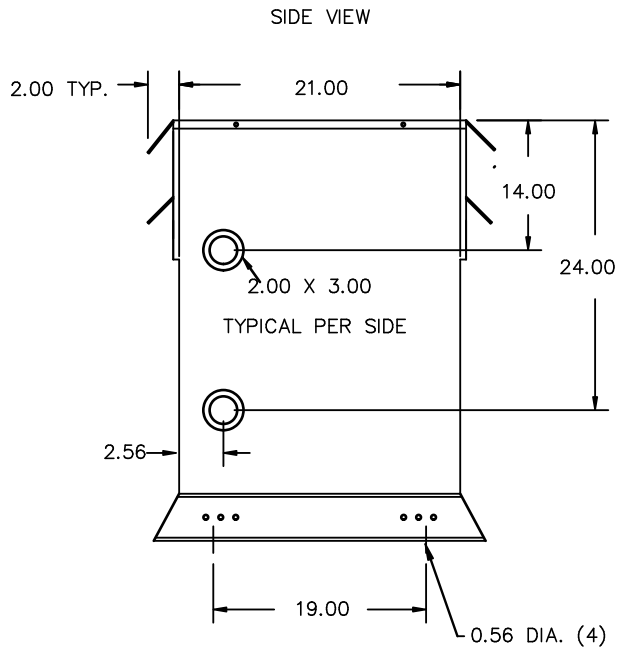
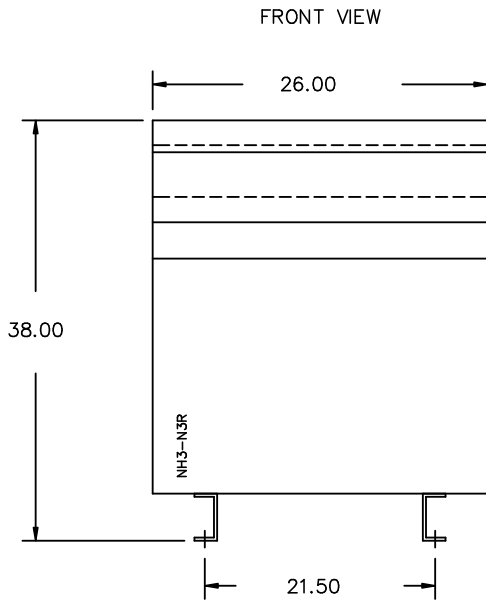
VOLTS	INPUT LINE ON H1 & H4
504	CONNECT
492	H2-1, H3-2
480	H3-2, H2-3
468	H2-3, H3-4
456	H3-4, H2-5
444	H2-5, H3-6
432	H3-6, H2-7
252	H2-7, H3-8
240	H2-1, H3-2
228	H2-3, H3-4
216	H2-5, H3-6
	H2-7, H3-8

VOLTS	CONNECT	OUTPUT LINE
120	X1-X3, X2-X4	X1-X4
240	X2-X3	X1-X4
120/240	X2-X3	X1-X2-X4

SOUND LEVEL 3 DB BELOW NEMA ST-20  
 TYPE F  
 LISTED DISTRIBUTION TRANSFORMER 77US  
 LR 3902  
  
 E112313  
 SUITABLE FOR INDOOR OR OUTDOOR LOCATIONS  
 DO NOT INSTALL IN AREAS ACCESSIBLE TO PUBLIC  
 FOR INSTALLATION SEE INSTRUCTION MANUAL  
 NEMA Class ANN Dry Type Transformer Siemens Industry, Inc. Norcross, GA

dsu0082e1





All Dimensions in inches

ENCLOSURE COLOR :ANSI 61 GREY – OUTDOOR

H.V.1. TERMINAL DETAIL

L.V.1. TERMINAL DETAIL

MECHANICAL TYPE LUGS INCLUDED  
SUITABLE FOR 250MCM-6 CU/AL  
CONDUCTORS  
1 CONDUCTOR PER PHASE

MECHANICAL TYPE LUGS INCLUDED  
SUITABLE FOR 600MCM-2 CU/AL  
CONDUCTORS  
1 CONDUCTOR PER PHASE

- CUSTOMER NOTES:
- HV1 TERMINATED AT TOP FRONT
  - LV1 TERMINATED AT BOTTOM FRONT

Confidential – Property of  
**Siemens Industry, Inc.**  
Building Technologies Division

REVISION	DATE	BY	DATE	BY
		DRAWN	11/12/06	RB
		CHEK'D		
		VERIF'D		

CUSTOMER	
ORDER NO.	DWG. NO. 1D1Y050CLN3TP1
SH 2 OF 2	

0.2 rbhatta 2011/12/06 13:03