

|          |      |         |          |    |
|----------|------|---------|----------|----|
| REVISION | DATE | BY      | DATE     | BY |
|          |      | DRAWN   | 12/10/02 | RM |
|          |      | CHEK'D  |          |    |
|          |      | VERIF'D |          |    |



|   |                          |
|---|--------------------------|
| Confidential - Property of<br><b>Siemens Industry, Inc.</b><br>Building Technologies Division |                          |
| CUSTOMER  |                          |
| ORDER NO.   | DWG. NO.                 |
|   | 1D1Y050BESCTP1 SH 1 OF 2 |

# SIEMENS

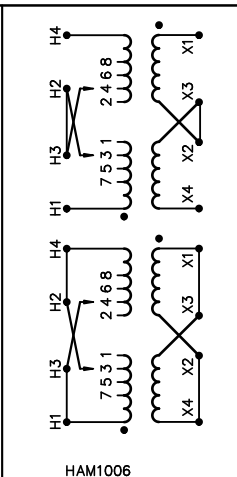
CATALOG NO. 1D1Y050BESCTP1  
 SERIAL NO. SERIES H  
 50 kVA 60 Hz 1 PHASE  
 3.6 % IMP AT 100 °C

80 °C RISE 30 °C AVG. AMBIENT  
 220 °C TEMP CLASS 40 °C MAX. AMBIENT  
 PRIMARY ( H1 H3 H2 H4 ) 240X480 V  
 SECONDARY(X4 X2 X3 X1 ) 120/240 V

WINDING MATERIAL CU  
 ENCLOSURE TYPE NEMA-3R WEIGHT 605 LBS  
 ENERGY EFFICIENCY NEMA TP 1-2002

SPACINGS BETWEEN ANY VENTILATED ENCLOSURE PANEL AND ANY ADJACENT WALL SHALL BE A MINIMUM OF 3 INCHES ELECTROSTATIC SHIELD  
 LISTED DISTRIBUTION TRANSFORMER 77US TYPE F  
 LR 3902  
  
 E112313

SUITABLE FOR INDOOR OR OUTDOOR LOCATIONS DO NOT INSTALL IN AREAS ACCESSIBLE TO PUBLIC FOR INSTALLATION SEE INSTRUCTION MANUAL  
 NEMA Class ANN Dry Type Transformer Siemens Industry, Inc. Norcross, GA



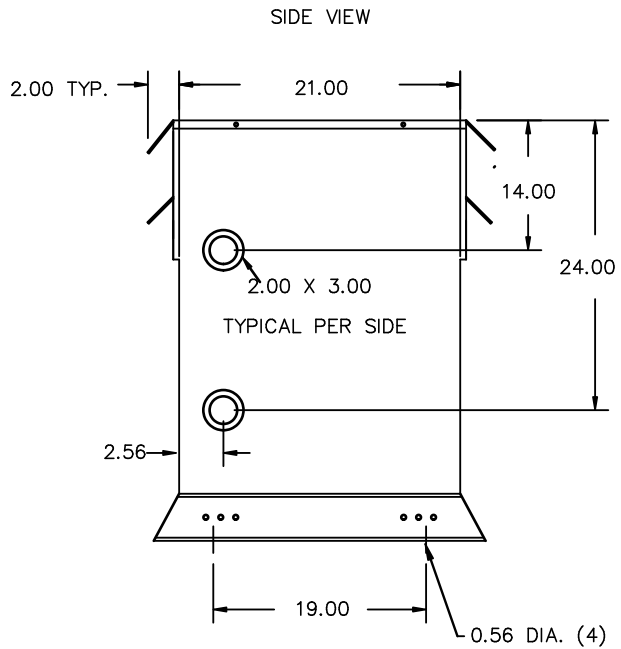
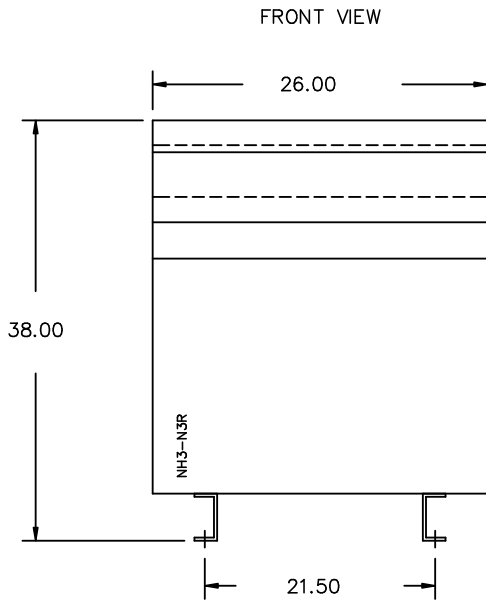
| VOLTS | INPUT LINE ON H1 & H4 CONNECT |
|-------|-------------------------------|
| 504   | H2-1, H3-2                    |
| 492   | H3-2, H2-3                    |
| 480   | H2-3, H3-4                    |
| 468   | H3-4, H2-5                    |
| 456   | H2-5, H3-6                    |
| 444   | H3-6, H2-7                    |
| 432   | H2-7, H3-8                    |
| 252   | H2-1, H3-2                    |
| 240   | H2-3, H3-4                    |
| 228   | H2-5, H3-6                    |
| 216   | H2-7, H3-8                    |

CONNECT H2 TO H3 FOR SERIES PRIMARY  
 CONNECT H1 TO H3 AND H2 TO H4 FOR PARALLEL PRIMARY

| VOLTS   | CONNECT      | OUTPUT LINE |
|---------|--------------|-------------|
| 120     | X1-X3, X2-X4 | X1-X4       |
| 240     | X2-X3        | X1-X4       |
| 120/240 | X2-X3        | X1-X2-X4    |

dsu0082e1





All Dimensions in inches

ENCLOSURE COLOR :ANSI 61 GREY- OUTDOOR

H.V.1. TERMINAL DETAIL

L.V.1. TERMINAL DETAIL

MECHANICAL TYPE LUGS INCLUDED  
SUITABLE FOR 250MCM-6 CU/AL  
CONDUCTORS  
1 CONDUCTOR PER PHASE

MECHANICAL TYPE LUGS INCLUDED  
SUITABLE FOR 600MCM-2 CU/AL  
CONDUCTORS  
1 CONDUCTOR PER PHASE

CUSTOMER NOTES:

- HV1 TERMINATED AT TOP FRONT
- LV1 TERMINATED AT BOTTOM FRONT

Confidential - Property of  
**Siemens Industry, Inc.**  
Building Technologies Division

| REVISION | DATE | BY | DATE     | BY | CUSTOMER       |          |           |
|----------|------|----|----------|----|----------------|----------|-----------|
|          |      |    | 12/10/02 | RM |                |          |           |
|          |      |    | CHEK'D   |    |                |          |           |
|          |      |    | VERIF'D  |    |                |          |           |
|          |      |    |          |    | ORDER NO.      | DWG. NO. |           |
|          |      |    |          |    | 1D1Y050BESCTP1 |          | SH 2 OF 2 |

0.2 rmoova 2012/10/02 11:22