

SIEMENS

CATALOG NO. 1D1Y050CTP1

SERIAL NO. SERIES H

50 kVA 60 Hz 1 PHASE

6.1 % IMP AT 170 °C

150 °C RISE 30 °C AVG. AMBIENT

220 °C TEMP CLASS 40 °C MAX. AMBIENT

PRIMARY (H1 H3 H2 H4) 240X480 V

SECONDARY(X4 X2 X3 X1) 120/240 V

WINDING MATERIAL CU

ENCLOSURE TYPE NEMA-3R WEIGHT 420 LBS

ENERGY EFFICIENCY CSA C802.2-12 NEMA TP 1-2002

SPACINGS BETWEEN ANY VENTILATED ENCLOSURE PANEL AND ANY ADJACENT WALL SHALL BE A MINIMUM OF 3 INCHES

LISTED DISTRIBUTION TRANSFORMER 77US TYPE F



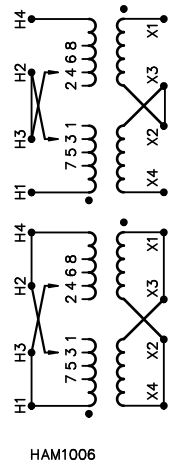
LR 3902



E112313

SUITABLE FOR INDOOR OR OUTDOOR LOCATIONS DO NOT INSTALL IN AREAS ACCESSIBLE TO PUBLIC NE PAS INSTALLER DANS DES ENDROITS ACCESSIBLES AU PUBLIC FOR INSTALLATION SEE INSTRUCTION MANUAL

NEMA Class ANN Dry Type Transformer Siemens Industry, Inc. Norcross, GA



HAM1006

VOLTS	INPUT LINE ON H1 & H4 CONNECT
504	H2-1, H3-2
492	H3-2, H2-3
480	H2-3, H3-4
468	H3-4, H2-5
456	H2-5, H3-6
444	H3-6, H2-7
432	H2-7, H3-8
252	H2-1, H3-2
240	H2-3, H3-4
228	H2-5, H3-6
216	H2-7, H3-8

CONNECT H2 TO H3 FOR SERIES PRIMARY

CONNECT H1 TO H3 AND H2 TO H4 FOR PARALLEL PRIMARY

VOLTS	CONNECT	OUTPUT LINE
120	X1-X3, X2-X4	X1-X4
240	X2-X3	X1-X4
120/240	X2-X3	X1-X2-X4

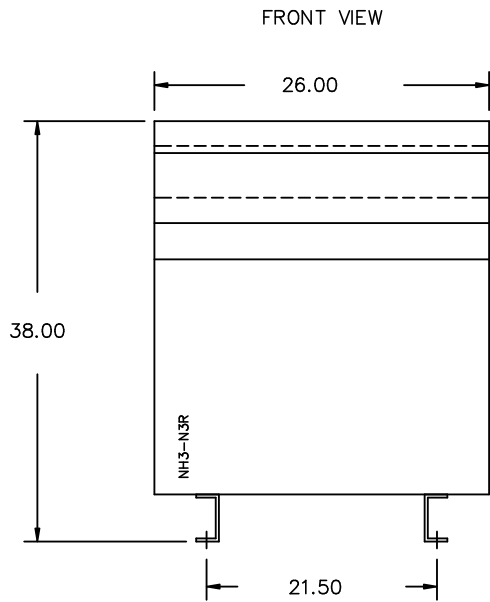
dsu0082e1



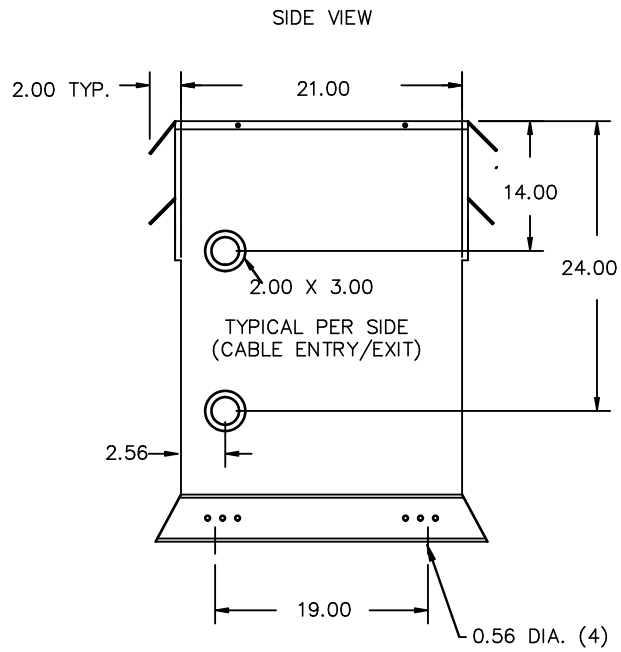
REVISION	DATE	BY	DATE	BY
1	14/08/05	RM	07/01/30	CY

Confidential - Property of
Siemens Industry, Inc.
 Building Technologies Division

CUSTOMER		
ORDER NO.	DWG. NO.	1
	1D1Y050CTP1	SH 1 OF 2



All Dimensions in inches



ENCLOSURE COLOR :ANSI 61 GREY- OUTDOOR

H.V.1. TERMINAL DETAIL

L.V.1. TERMINAL DETAIL

MECHANICAL TYPE LUGS INCLUDED
SUITABLE FOR 250MCM-6 CU/AL
CONDUCTORS
1 CONDUCTOR PER PHASE

MECHANICAL TYPE LUGS INCLUDED
SUITABLE FOR 600MCM-2 CU/AL
CONDUCTORS
1 CONDUCTOR PER PHASE

CUSTOMER NOTES:

- HV1 TERMINATED AT TOP FRONT
- LV1 TERMINATED AT BOTTOM FRONT

Confidential - Property of
Siemens Industry, Inc.
Building Technologies Division

REVISION	DATE	BY	DATE	BY	CUSTOMER
			DRAWN 07/01/30	CY	ORDER NO. DWG. NO. 1D1Y050CTP1
			CHEK'D		
1	14/08/05	RM	VERIF'D		SH 2 OF 2

1.0 rmovva 2014/08/05 10:01