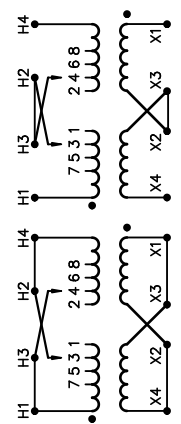


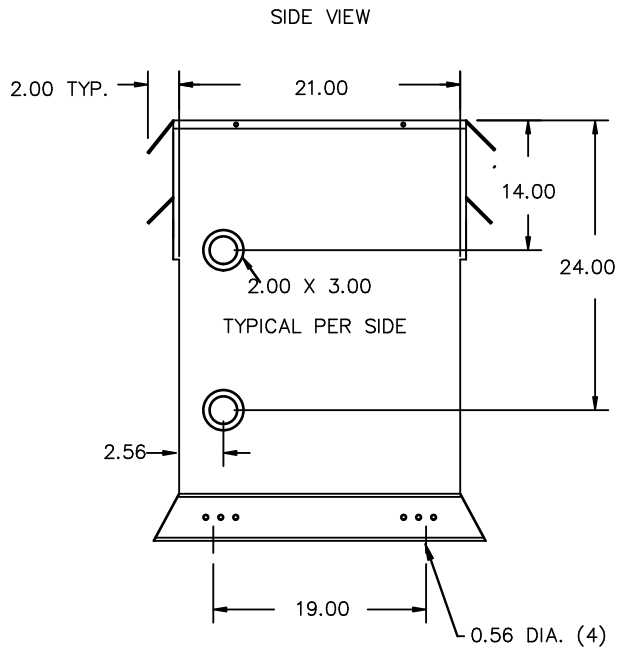
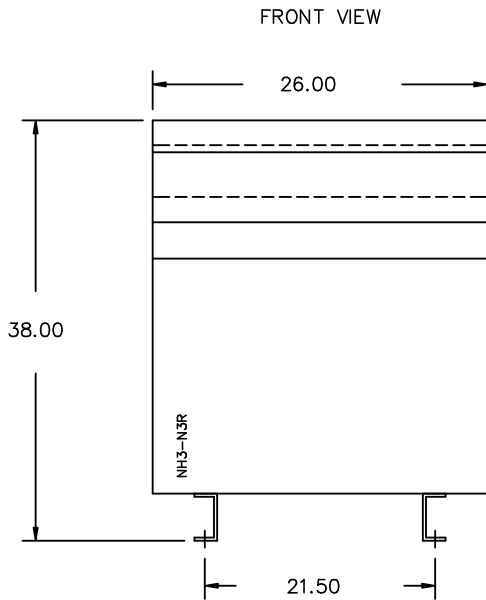
REVISION	DATE	BY	DATE	BY
		DRAWN	07/04/25	CY
		CHEK'D		
		VERIF'D		

Confidential - Property of Siemens Industry, Inc. Building Technologies Division		
CUSTOMER		
ORDER NO.	DWG. NO.	
	1D1Y037FCTP1	SH 1 OF 2

SIEMENS

<p>CATALOG NO. 1D1Y037FCTP1</p> <p>SERIAL NO.</p> <p>37.5 kVA 60 Hz 1 PHASE</p> <p>5 % IMP AT 135 °C</p> <p>115 °C RISE °C AVG. AMBIENT</p> <p>220 °C TEMP CLASS °C MAX. AMBIENT</p> <p>PRIMARY (H1 H3 H2 H4) 240X480 V</p> <p>SECONDARY(X4 X2 X3 X1) 120/240 V</p> <p>WINDING MATERIAL CU</p> <p>ENCLOSURE TYPE NEMA-3R WEIGHT 330 LBS</p> <p>ENERGY EFFICIENCY NEMA TP 1-2002</p> <p>SPACINGS BETWEEN ENCLOSURE AND ANY ADJACENT WALL SHALL BE A MINIMUM OF 6 INCHES</p> <p>SUITABLE FOR INDOOR OR OUTDOOR LOCATIONS DO NOT INSTALL IN AREAS ACCESSIBLE TO PUBLIC FOR INSTALLATION SEE INSTRUCTION MANUAL</p> <p>NEMA Class ANN Dry Type Transformer Siemens Industry, Inc. Norcross, GA</p>	<p style="text-align: center;">SERIES H</p>  <p style="text-align: center;">HAMI006</p> <table border="1" style="width: 100%; border-collapse: collapse;"> <thead> <tr> <th>VOLTS</th> <th>INPUT LINE ON H1 & H4</th> </tr> </thead> <tbody> <tr> <td>504</td> <td>CONNECT</td> </tr> <tr> <td>492</td> <td>H2-1, H3-2</td> </tr> <tr> <td>480</td> <td>H3-2, H2-3</td> </tr> <tr> <td>468</td> <td>H2-3, H3-4</td> </tr> <tr> <td>456</td> <td>H3-4, H2-5</td> </tr> <tr> <td>444</td> <td>H2-5, H3-6</td> </tr> <tr> <td>432</td> <td>H3-6, H2-7</td> </tr> <tr> <td>252</td> <td>H2-7, H3-8</td> </tr> <tr> <td>240</td> <td>H2-1, H3-2</td> </tr> <tr> <td>228</td> <td>H2-3, H3-4</td> </tr> <tr> <td>216</td> <td>H2-5, H3-6</td> </tr> <tr> <td></td> <td>H2-7, H3-8</td> </tr> </tbody> </table> <p style="text-align: center;">CONNECT H2 TO H3 FOR SERIES PRIMARY</p> <p style="text-align: center;">CONNECT H1 TO H3 AND H2 TO H4 FOR PARALLEL PRIMARY</p> <table border="1" style="width: 100%; border-collapse: collapse;"> <thead> <tr> <th>VOLTS</th> <th>CONNECT</th> <th>OUTPUT LINE</th> </tr> </thead> <tbody> <tr> <td>120</td> <td>X1-X3, X2-X4</td> <td>X1-X4</td> </tr> <tr> <td>240</td> <td>X2-X3</td> <td>X1-X4</td> </tr> <tr> <td>240/120</td> <td>X2-X3</td> <td>X1-X2-X4</td> </tr> </tbody> </table>	VOLTS	INPUT LINE ON H1 & H4	504	CONNECT	492	H2-1, H3-2	480	H3-2, H2-3	468	H2-3, H3-4	456	H3-4, H2-5	444	H2-5, H3-6	432	H3-6, H2-7	252	H2-7, H3-8	240	H2-1, H3-2	228	H2-3, H3-4	216	H2-5, H3-6		H2-7, H3-8	VOLTS	CONNECT	OUTPUT LINE	120	X1-X3, X2-X4	X1-X4	240	X2-X3	X1-X4	240/120	X2-X3	X1-X2-X4
VOLTS	INPUT LINE ON H1 & H4																																						
504	CONNECT																																						
492	H2-1, H3-2																																						
480	H3-2, H2-3																																						
468	H2-3, H3-4																																						
456	H3-4, H2-5																																						
444	H2-5, H3-6																																						
432	H3-6, H2-7																																						
252	H2-7, H3-8																																						
240	H2-1, H3-2																																						
228	H2-3, H3-4																																						
216	H2-5, H3-6																																						
	H2-7, H3-8																																						
VOLTS	CONNECT	OUTPUT LINE																																					
120	X1-X3, X2-X4	X1-X4																																					
240	X2-X3	X1-X4																																					
240/120	X2-X3	X1-X2-X4																																					





All Dimensions in inches

ENCLOSURE COLOR :ANSI 61 GREY – OUTDOOR

H.V.1. TERMINAL DETAIL

L.V.1. TERMINAL DETAIL

MECHANICAL TYPE LUGS INCLUDED
SUITABLE FOR #2/0-6 CU/AL
CONDUCTORS
1 CONDUCTOR PER PHASE

MECHANICAL TYPE LUGS INCLUDED
SUITABLE FOR 250MCM-6 CU/AL
CONDUCTORS
1 CONDUCTOR PER PHASE

CUSTOMER NOTES:
- HV1 TERMINATED AT TOP FRONT
- LV1 TERMINATED AT BOTTOM FRONT

Confidential – Property of
Siemens Industry, Inc.
Building Technologies Division

REVISION	DATE	BY	DATE	BY
		DRAWN	07/04/25	CY
		CHEK'D		
		VERIF'D		

CUSTOMER	
ORDER NO.	DWG. NO. 1D1Y037FCTP1
SH 2 OF 2	

0.2 rbhatta 2010/06/19 11:02