

SIEMENS

CATALOG NO. 1D1Y037BCTP1

SERIAL NO. SERIES H

37.5 kVA 60 Hz 1 PHASE

3.2 % IMP AT 100 °C

80 °C RISE 30 °C AVG. AMBIENT

220 °C TEMP CLASS 40 °C MAX. AMBIENT

PRIMARY (H1 H3 H2 H4) 240/480 V

SECONDARY (X4 X2 X3 X1) 120/240 V

WINDING MATERIAL CU

ENCLOSURE TYPE NEMA-3R

WEIGHT 520 LBS

SPACINGS BETWEEN ENCLOSURE AND ANY ADJACENT WALL SHALL BE A MINIMUM OF 3 INCHES

MEETS TP-1-2002 EFFICIENCY

LISTED DISTRIBUTION TRANSFORMER 77US

TYPE F

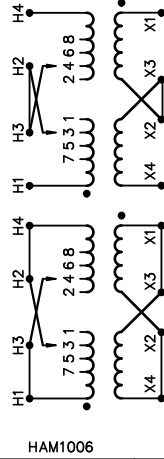


E112313 LR 3902

SUITABLE FOR INDOOR OR OUTDOOR LOCATIONS
DO NOT INSTALL IN AREAS ACCESSIBLE TO PUBLIC
NE PAS INSTALLER DANS DES ENDROITS ACCESSIBLES AU PUBLIC
FOR INSTALLATION SEE INSTRUCTION MANUAL

NEMA Class ANN Dry Type Transformer Siemens Industry, Inc. Norcross, GA

dsu0002e



VOLTS	INPUT LINE ON H1 & H4 CONNECT
504	H2-1, H3-2
492	H3-2, H2-3
480	H2-3, H3-4
468	H3-4, H2-5
456	H2-5, H3-6
444	H3-6, H2-7
432	H2-7, H3-8
252	H2-1, H3-2
240	H2-3, H3-4
228	H2-5, H3-6
216	H2-7, H3-8

VOLTS	CONNECT	OUTPUT LINE
120	X1-X3, X2-X4	X1-X4
240	X2-X3	X1-X4
120/240	X2-X3	X1-X2-X4

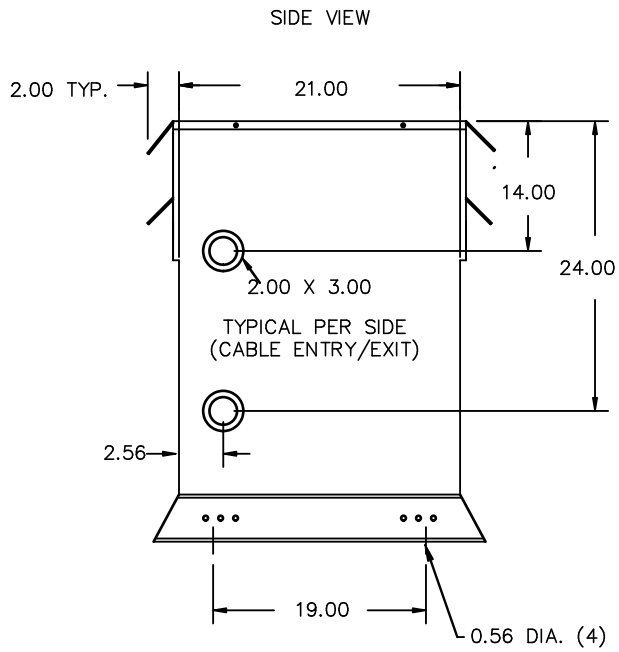
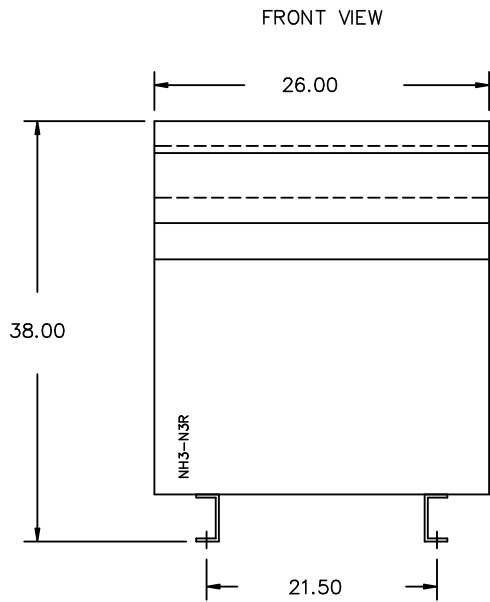
CONNECT TO H3 FOR SERIES PRIMARY

CONNECT H1 TO H3 AND H2 TO H4 FOR PARALLEL PRIMARY



REVISION	DATE	BY	DATE	BY
1	14/09/09	RM	11/05/26	RB

Confidential - Property of Siemens Industry, Inc. Building Technologies Division		
CUSTOMER		
ORDER NO.	DWG. NO.	1
	1D1Y037BCTP1	SH 1 OF 2



All Dimensions in inches

ENCLOSURE COLOR :ANSI 61 GREY- OUTDOOR

H.V.1. TERMINAL DETAIL

L.V.1. TERMINAL DETAIL

MECHANICAL TYPE LUGS INCLUDED
SUITABLE FOR #2/0-14 CU/AL
CONDUCTORS
1 CONDUCTOR PER PHASE

MECHANICAL TYPE LUGS INCLUDED
SUITABLE FOR 250MCM-6 CU/AL
CONDUCTORS
1 CONDUCTOR PER PHASE

CUSTOMER NOTES:

- HV1 TERMINATED AT TOP FRONT
- LV1 TERMINATED AT BOTTOM FRONT

Confidential - Property of
Siemens Industry, Inc.
Building Technologies Division

REVISION	DATE	BY	DATE	BY	CUSTOMER
			DRAWN 11/05/26	RB	ORDER NO. 1D1Y037BCTP1 DWG. NO. 1 SH 2 OF 2
			CHEK'D		
1	14/09/09	RM	VERIF'D		

1.0 rmovva 2014/09/09 14:34