

Front rotary operating mechanism standard IEC IP30/40 Accessory
for: 3VA6 150/250 3VA5 250



| Model | |
|----------------------------------|----------------------------------|
| Product brand name | SETRON |
| Product designation | Accessories |
| Design of the product | Front rotary operating mechanism |
| accessories | FRONT ROTARY OPERATING MECHANISM |
| General technical data | |
| Degree of protection NEMA rating | NEMA 1 |
| Mechanical Design | |
| Height | 82 mm |
| Width | 105 mm |
| Depth | 102 mm |
| Certificates | |

| General Product Approval | EMC | Declaration of Conformity | other |
|--|---|--|--|
|  CSA |  UL |  EAC |  RCM  EG-Konf. Miscellaneous |

Further information

Information- and Downloadcenter (Catalogs, Brochures,...)

<http://www.siemens.com/lowvoltage/catalogs>

Industry Mall (Online ordering system)

<https://mall.industry.siemens.com/mall/en/en/Catalog/product?mlfb=3VA9277-0EK11>

Service&Support (Manuals, Certificates, Characteristics, FAQs,...)

<https://support.industry.siemens.com/cs/ww/en/ps/3VA9277-0EK11>

Image database (product images, 2D dimension drawings, 3D models, device circuit diagrams, ...)

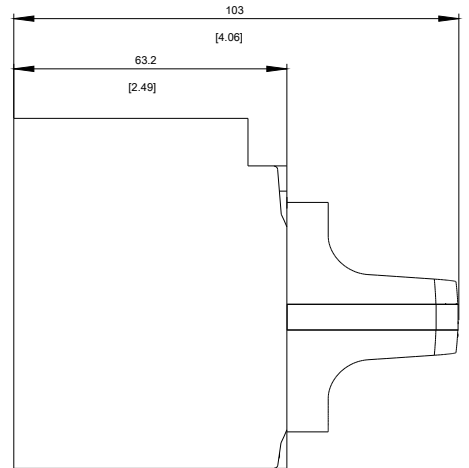
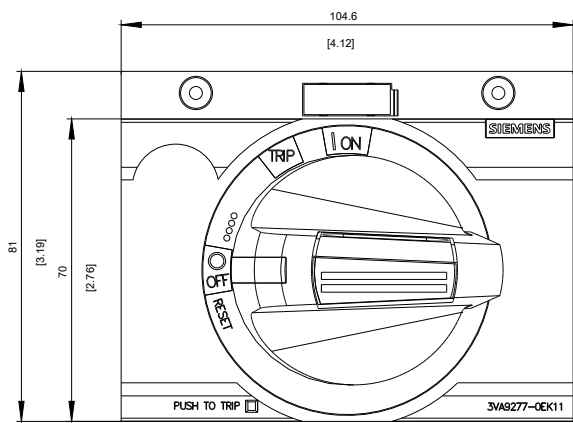
http://www.automation.siemens.com/bilddb/cax_en.aspx?mlfb=3VA9277-0EK11

CAX-Online-Generator

<http://www.siemens.com/cax>

Tender specifications

<http://www.siemens.com/specifications>



last modified:

12/05/2017