

AUTOTRIP PLUNGER ACCESSORY FOR: DRAW-OUT SOCKETS  
3VA2 100/160/250 3VA6 150/250



Model	
Product brand name	SETRON
Product designation	Accessories
Design of the product	Autotrip plunger
accessories	Autotrip plunger

### Certificates

General Product Approval	EMC	Declaration of Conformity	other
--------------------------	-----	---------------------------	-------



[Miscellaneous](#)

### Further information

**Information- and Downloadcenter (Catalogs, Brochures,...)**

<http://www.siemens.com/lowvoltage/catalogs>

**Industry Mall (Online ordering system)**

<https://mall.industry.siemens.com/mall/en/en/Catalog/product?mfb=3VA9267-0KD81>

**Service&Support (Manuals, Certificates, Characteristics, FAQs,...)**

<https://support.industry.siemens.com/cs/ww/en/ps/3VA9267-0KD81>

**Image database (product images, 2D dimension drawings, 3D models, device circuit diagrams, ...)**

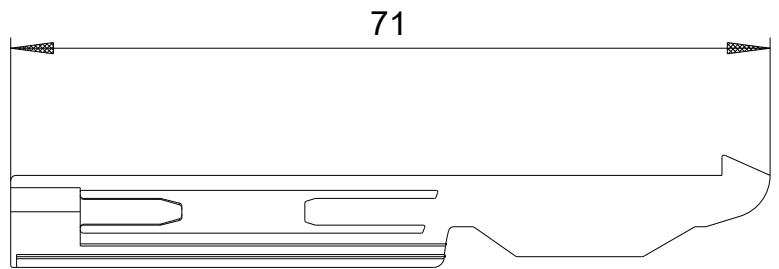
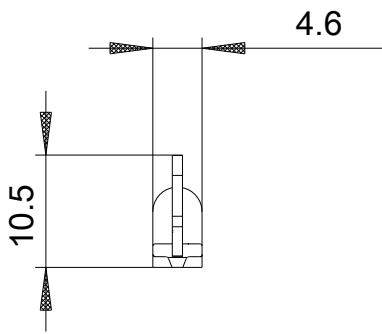
[http://www.automation.siemens.com/bilddb/cax\\_en.aspx?mlfb=3VA9267-0KD81](http://www.automation.siemens.com/bilddb/cax_en.aspx?mlfb=3VA9267-0KD81)

**CAX-Online-Generator**

<http://www.siemens.com/cax>

**Tender specifications**

<http://www.siemens.com/specifications>



**last modified:**

11/09/2017