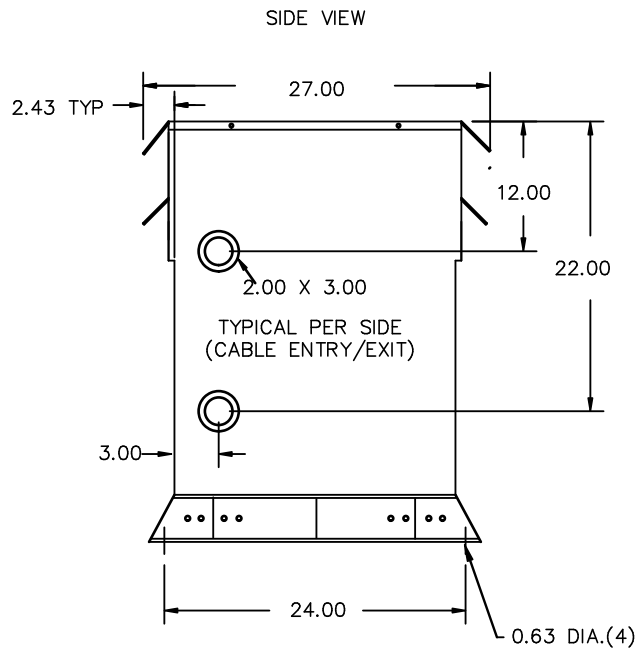
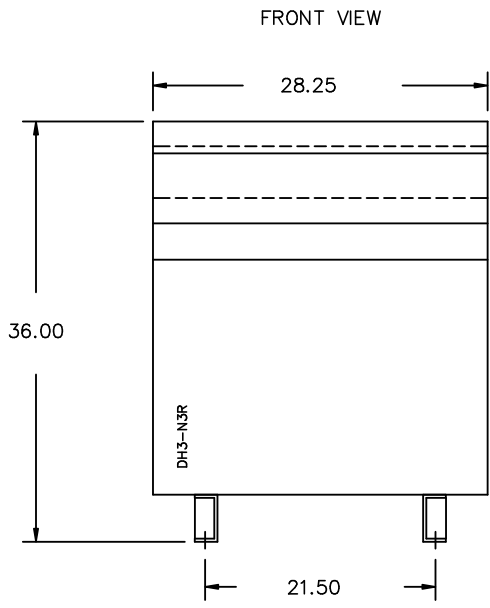


REVISION	DATE	BY	DATE	BY
		DRAWN	17/05/25	PP
		CHEK'D		
		VERIF'D		

Confidential - Property of <b>Siemens Industry, Inc.</b>	
CUSTOMER	
ORDER NO.	DWG. NO. 1D1Y075TP1-T
	SH 1 OF 3

SIEMENS

<p>CATALOG NO. 1D1Y075TP1-T</p> <p>SERIAL NO.</p> <p>75 kVA    60 Hz    1 PHASE</p> <p>5.4 % IMP AT 170 °C</p> <p>150 °C RISE    30 °C AVG. AMBIENT</p> <p>220 °C TEMP CLASS    40 °C MAX. AMBIENT</p> <p>PRIMARY ( H1 H3 H2 H4 ) 240X480V V 10 kV BIL</p> <p>SECONDARY( X4 X2 X3 X1 ) 120/240V V 10 kV BIL</p> <p>WINDING MATERIAL    AL</p> <p>ENCLOSURE TYPE 3R    WEIGHT 485 LBS</p> <p>DOE 10 CFR PART 431:2016</p> <p>ENERGY EFFICIENCY CSA C802.2-12</p>	<p style="text-align: center; font-size: 8pt;">HAM1497</p>	<table border="1" style="width: 100%; border-collapse: collapse; font-size: 8pt;"> <tr> <th colspan="2">INPUT LINE ON H1, H4</th> </tr> <tr> <td>VOLTS</td> <td>CONNECT</td> </tr> <tr> <td>504</td> <td>H2-1, H3-2</td> </tr> <tr> <td>492</td> <td>H3-2, H2-3</td> </tr> <tr> <td>480</td> <td>H2-3, H3-4</td> </tr> <tr> <td>468</td> <td>H3-4, H2-5</td> </tr> <tr> <td>456</td> <td>H2-5, H3-6</td> </tr> <tr> <td>444</td> <td>H3-6, H2-7</td> </tr> <tr> <td>432</td> <td>H2-7, H3-8</td> </tr> <tr> <th colspan="2">INPUT LINE ON H1&amp;H3, H2&amp;H4</th> </tr> <tr> <td>252</td> <td>H2-1, H3-2</td> </tr> <tr> <td>240</td> <td>H2-3, H3-4</td> </tr> <tr> <td>228</td> <td>H2-5, H3-6</td> </tr> <tr> <td>216</td> <td>H2-7, H3-8</td> </tr> <tr> <td colspan="2" style="text-align: center;">CONNECT H1 TO H3 AND H2 TO H4 FOR PARALLEL PRIMARY</td> </tr> </table>	INPUT LINE ON H1, H4		VOLTS	CONNECT	504	H2-1, H3-2	492	H3-2, H2-3	480	H2-3, H3-4	468	H3-4, H2-5	456	H2-5, H3-6	444	H3-6, H2-7	432	H2-7, H3-8	INPUT LINE ON H1&H3, H2&H4		252	H2-1, H3-2	240	H2-3, H3-4	228	H2-5, H3-6	216	H2-7, H3-8	CONNECT H1 TO H3 AND H2 TO H4 FOR PARALLEL PRIMARY	
INPUT LINE ON H1, H4																																
VOLTS	CONNECT																															
504	H2-1, H3-2																															
492	H3-2, H2-3																															
480	H2-3, H3-4																															
468	H3-4, H2-5																															
456	H2-5, H3-6																															
444	H3-6, H2-7																															
432	H2-7, H3-8																															
INPUT LINE ON H1&H3, H2&H4																																
252	H2-1, H3-2																															
240	H2-3, H3-4																															
228	H2-5, H3-6																															
216	H2-7, H3-8																															
CONNECT H1 TO H3 AND H2 TO H4 FOR PARALLEL PRIMARY																																
<table border="1" style="width: 100%; border-collapse: collapse; font-size: 8pt;"> <tr> <th colspan="2">CONNECT</th> <th colspan="2">OUTPUT LINE</th> </tr> <tr> <td>VOLTS</td> <td>CONNECT</td> <td colspan="2">OUTPUT LINE</td> </tr> <tr> <td>120</td> <td>X1-X3, X2-X4</td> <td>X1&amp;X3, X2&amp;X4</td> <td></td> </tr> <tr> <td>240</td> <td>X2-X3</td> <td>X1, X2orX3, X4</td> <td></td> </tr> <tr> <td>120/240</td> <td>X2-X3</td> <td>X1-X2-X4</td> <td></td> </tr> </table>			CONNECT		OUTPUT LINE		VOLTS	CONNECT	OUTPUT LINE		120	X1-X3, X2-X4	X1&X3, X2&X4		240	X2-X3	X1, X2orX3, X4		120/240	X2-X3	X1-X2-X4											
CONNECT		OUTPUT LINE																														
VOLTS	CONNECT	OUTPUT LINE																														
120	X1-X3, X2-X4	X1&X3, X2&X4																														
240	X2-X3	X1, X2orX3, X4																														
120/240	X2-X3	X1-X2-X4																														
<p>TYPE F</p> <p> </p> <p>DRY TYPE TRANSFORMER</p> <p>LISTED</p> <p>SEISMIC QUALIFICATIONS</p> <p>FLOOR MOUNT ONLY</p> <p>OSP-0136-10 IBC 2012/ASCE 7-10</p> <p>SDS&lt;=2.0g Z/h=1 Ip=1.5</p>																																
<p>SPACINGS BETWEEN ANY VENTILATED ENCLOSURE PANEL AND ANY ADJACENT WALL SHALL BE A MINIMUM OF 3 INCHES</p> <p>SUITABLE FOR INDOOR OR OUTDOOR LOCATIONS BEFORE HANDLING, INSTALLING AND OPERATING, SEE INSTRUCTION MANUAL</p> <p>NEMA Class ANN Dry Type Transformer</p> <p style="text-align: right;">Siemens Industry, Inc. Norcross, GA    <small>dsu0086e3</small></p>																																



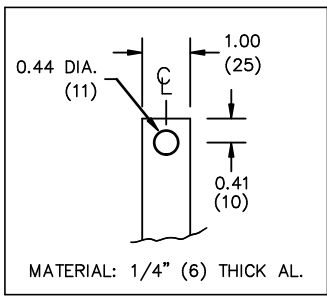
All Dimensions in inches

ENCLOSURE COLOR :ANSI 61 GREY – OUTDOOR

HV TERMINAL DETAIL

LV TERMINAL DETAIL

MECHANICAL TYPE LUGS INCLUDED  
SUITABLE FOR 350MCM-6 CU/AL  
CONDUCTORS  
1 CONDUCTOR PER PHASE



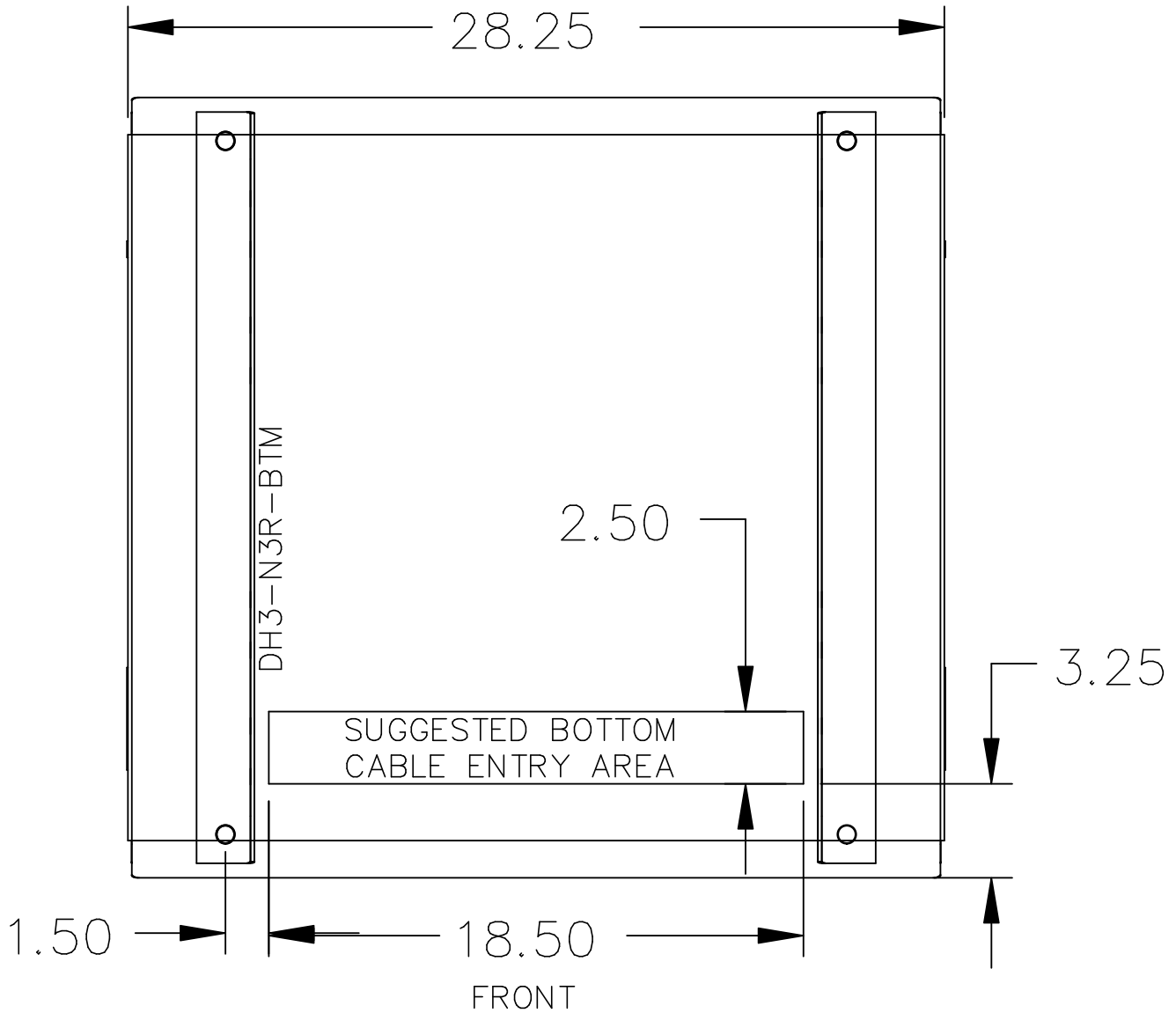
CUSTOMER NOTES:

- HV TERMINATED AT TOP FRONT
- LV TERMINATED AT BOTTOM FRONT

Confidential – Property of  
**Siemens Industry, Inc.**

REVISION	DATE	BY	DATE	BY
			17/05/25	PP

CUSTOMER	
ORDER NO.	DWG. NO.
	1D1Y075TP1-T
	SH 2 OF 3



NOTE:  
 WHEN BOTTOM CABLE ENTRY IS OPTED, THE SPACE USED FOR CONDUITS IN THE FRONT OF THE TRANSFORMER SHOULD NOT OBSTRUCT MORE THAN 50% OF THE FRONT AIR INTAKE AREA DEFINED BETWEEN THE BOTTOM PLATE AND THE SUPPORTING LEGS.  
 SEE MANUAL FOR ADDITIONAL INFORMATION

Confidential - Property of  
 Siemens Industry, Inc.

REVISION	DATE	BY	DATE	BY
		DRAWN	17/05/25	PP
		CHEK'D		
		VERIF'D		

CUSTOMER	
ORDER NO.	DWG. NO. 1D1Y075TP1-T
SH 3 OF 3	