

Third Angle Projection

12-5772

12-5772

12-5772

12-5772

12-5772

12-5772

12-5772

12-5772

12-5772

12-5772

12-5772

12-5772

12-5772

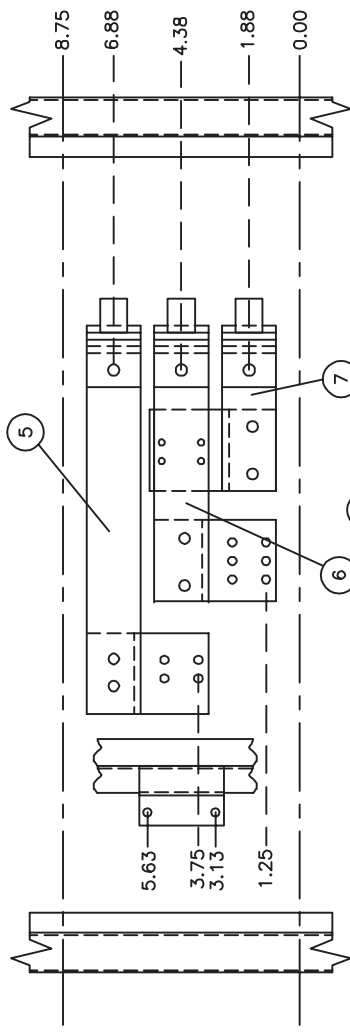
12-5772

12-5772

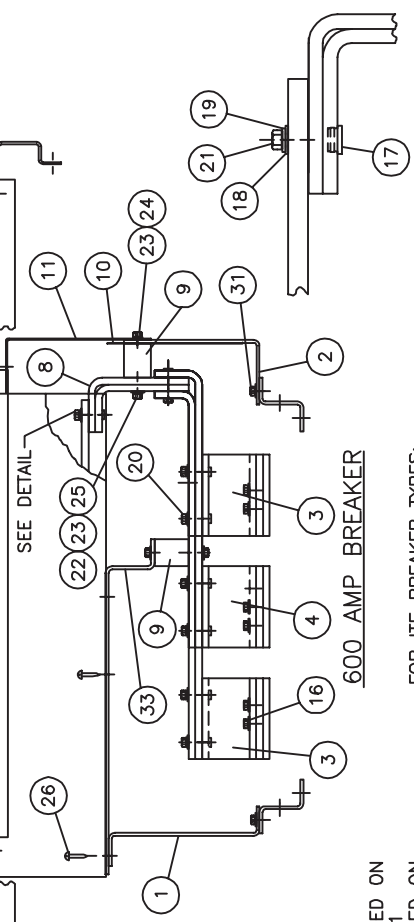
12-5772

12-5772

12-5772



-01 CAT# 6SCL1
-02 CAT# SSCLD



PC. -01 ASSY. USED ON STRAP KIT 6SCL1
PC. -02 ASSY. USED ON STRAP KIT SSCLD

⚠ DANGER

Hazardous voltage. Will cause death or serious injury.

Keep out. Qualified personnel only. Disconnect and lock off all power before working on this equipment.

TORQUE VALUES:
 (16)-72 IN/LBS.
 (29)-20 FT/LBS.
 (20)(21)-12 FT/LBS.

FOR ITE BREAKER TYPES:
SCLD6

-02	-01	ITEM	PC. NO.	DESCRIPTION
1	1	1	16-6114-01	MOUNTING BRACKET
1	1	2	16-6120-02	SUPPORT BRACKET
2	2	3	17-6768-02	ØAC JITNEY
1	1	4	17-6769-02	ØB JITNEY
1	1	5	12-6776-06	ØAC LONG CONNECTOR
1	1	6	12-6776-05	ØB LONG CONNECTOR
1	1	7	12-6776-04	ØAC SHORT CONNECTOR
3	3	8	17-6770-02	PAD CONNECTOR
4	4	9	11-1800-02	1-1/4" INSULATOR
1	1	10	11-7721-01	BARRIER
1	1	11	11-6415-02	BARRIER
1	1	12	12-6487-01	COVER PLATE
1	1	13	11-7505-01	CIRCUIT I.D. CARD
1	1	14	11-7506-01	CARD HOLDER
15				
2	2	16	11-B-2022-05	STRAP-BUS HARDWARE KIT
12	12	17	11-1620-04	5/12-18 INSERT
12	12	18	11-1615-06	5/16" FLAT WASHER
12	12	19	11-1618-04	5/16" LOCK WASHER
6	6	20	11-1566-05	5/16-18 X 1" HHMS
6	6	21	11-1566-07	5/16-16 X 1-1/4" HHMS
8	8	22	11-1615-04	1/4" FLAT WASHER
8	8	23	11-1618-03	1/4" LOCK WASHER
4	4	24	11-1546-02	1/4-20 X 1/2" HHMS
4	4	25	11-1546-05	1/4-20 X 7/8" HHMS
4	4	26	11-1542-14	1/4-20 X 2-3/4" SRHMS
-	-	27	12-B-2105-04	NEUTRAL LUG ASSEMBLY
1	-	28	12-B-2105-06	NEUTRAL LUG ASSEMBLY
-	-	29	11-1580-02	3/8-16 X 1" RHSNB
-	-	30	11-1622-01	3/8-16 BELLEVILLE WASHER NUT
6	6	31	11-1553-02	1/4-20 X 3/8" SHHWSW
1	1	32	12-5531-11	FILLER PLATE ASSEMBLY
1	1	33	16-6115-01	AUXILIARY MOUNTING BRACKET
1	-	34	31-1230-01	INSTRUCTION SHEET
1	1	35	15-A-1027-01	CARTON LABEL
1	1	36	48001057	CARTON
-	-	37	11-5570-02	SERIES 5 CONVERSION KIT
-	-	38	31-1195-01	INSTRUCTION SHEET
-	-	39		
		40		

Date	C.N.	Rev	By	Appd	SH	Scale	Sheet	of
1A-066 2-16-89		0	MGR			8-28-91	1	1
1A-077 6-08-89		1	JRM			9-5-91	1	1
1A-280 11-30-90		2						
1A-280B 1-31-91		3						
1A-939 7-22-91		4						
1B-359 11-11-92		5						
1B-908 5-8-95		6						
1C-831A 04-12-04		7						
1C-831B 7-31-06		8						

Unless otherwise specified dimensions are in inches and are as follows unless specified otherwise.
 .XX ±.030
 .XXX ±.015
 Angular ± 2'
 Do not scale drawing

Dwg No. 12-5772
 Scale NONE
 Sheet 1 of 1

Rev. 8

Confidential - Property of
Siemens Industry, Inc.
 Building Technologies Division

SCLD FRAME MOUNT
SERIES 6 - BRANCH

FOR USE WITH SCLD6 FRAME BREAKERS MOUNTED IN SPP/FPP/S5/F2/P5 PANELBOARDS (DEEP BOX).