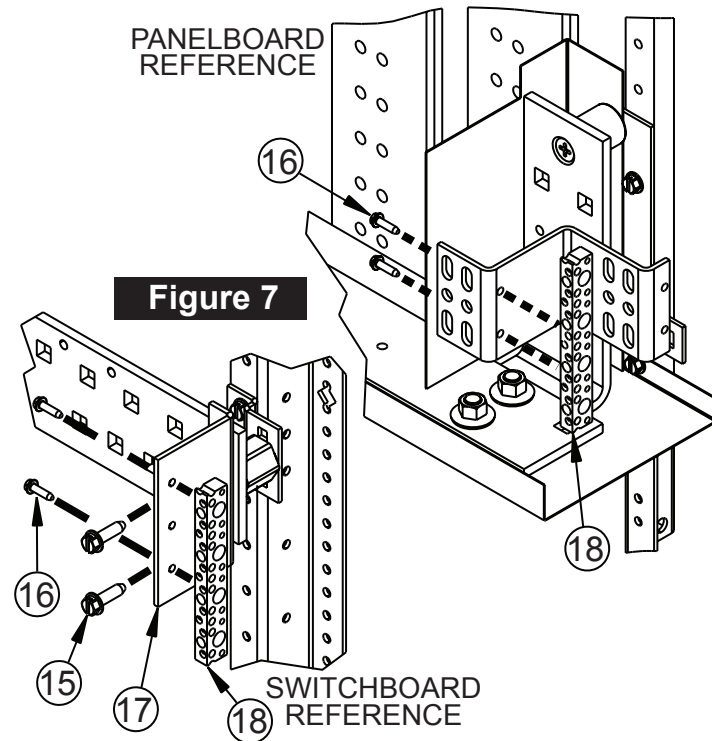


INSTALLING THE NEUTRAL COMPONENTS

10. Reference Figure 7

If branch neutral terminal strips (Item 18) are NOT already installed -- or are full -- then the branch neutral terminal strip (included) must be installed. Depending upon the feed location, the branch neutral can be mounted near the bottom of the Z-rails -- or mirrored to the top -- on a branch neutral connector. Panelboards should have one mounted already. On Switchboards, mount the branch neutral connector (Item 17) on the neutral bus using (2) 1/4"-20 screws (Item 15). Mount the neutral terminal strip (Item 18) on either side of the branch neutral connector using (2) #8-32 screws (Item 16). Torque all hardware as follows: For 1/4"-20 screws, refer to torque on label. For #8-32 screws, torque to 35 lb-in.



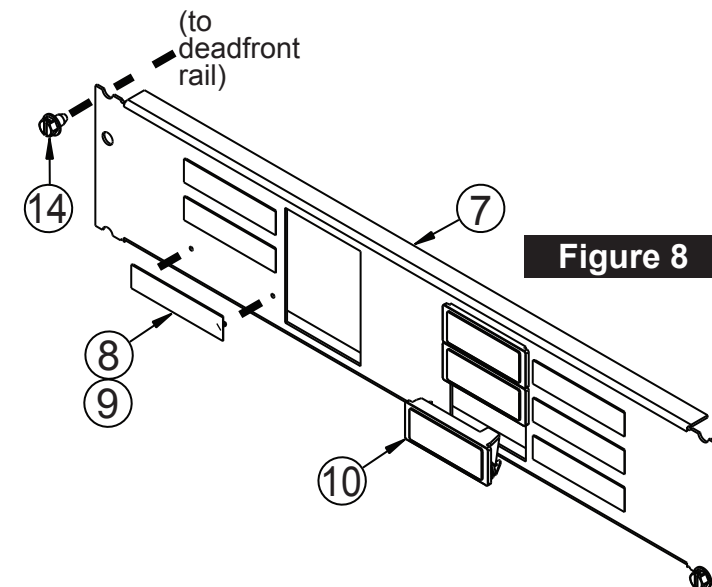
INSTALLING COVER PLATE AND FILLERS

11. Reassemble the deadfront assembly to the interior (removed in Step 3).

12. Reference Figure 8

Install the 3.75" cover plate (Item 7) by aligning it over the 3.75" of selected unit space and related breakers. Use a 1/4"-20 x 3/8" screw (Item 14) on each side of the cover plate and drive into the deadfront rails. Torque all hardware as specified on the rear of the deadfront. Mark the circuit ID cards (Item 8) as desired and mount them to the cover plate by placing each behind a clear card holder (Item 9) and pushing the two into the proper pair of holes in the cover plate next to the proper circuit. Repeat for each location. Finally, use blank fillers (Item 10) at every location that doesn't have a breaker penetrating through the cover plate.

NOTE: Other cover plates may be required for proper fit. See filler plate kits listed on the rear of the deadfront.



COMPLETING THE INSTALLATION

13. Ensure that any bus or breaker hardware is torqued as specified on the rear of the deadfront. Then replace all the cover plates and gutter covers. Finally, ensure any fillers are in place **BEFORE** re-energizing the equipment.

These instructions do not purport to cover all details or variations in equipment, or to provide for every possible contingency to be met in connection with installation, operation or maintenance. Should further information be desired or should particular problems arise, which are not covered sufficiently for the purchaser's purposes, the matter should be referred to the local **Siemens** sales office. The contents of this instruction manual shall not become part of or modify any prior or existing agreement, commitment or relationship. The sales contract contains the entire obligation of **Siemens**. The warranty contained in the contract between the parties is the sole warranty of **Siemens**. Any statements contained herein do not create new warranties or modify the existing warranty.

Trademarks - Unless otherwise noted, all names identified by ® are registered trademarks of **Siemens AG** or **Siemens Industry, Inc.** The remaining trademarks in this publication may be trademarks whose use by third parties for their own purposes could violate the rights of the owner.

WARNING: Do NOT use with NGB, LGB or HGB breakers. ONLY use with NGB2, LGB2 or HGB2 breakers.

SIEMENS

SGB2 / SGB2D Power Panel / Switchboard Kit for Branch Mounting Type GB2 Breakers

Installation
Instructions

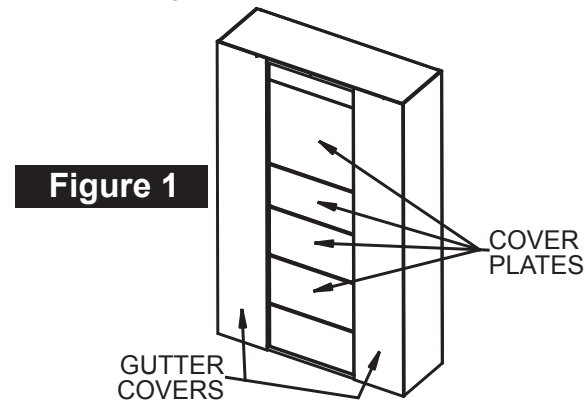
WARNING: Do NOT use with NGB, LGB or HGB breakers. ONLY use with NGB2, LGB2 or HGB2 breakers.

Installation Instructions

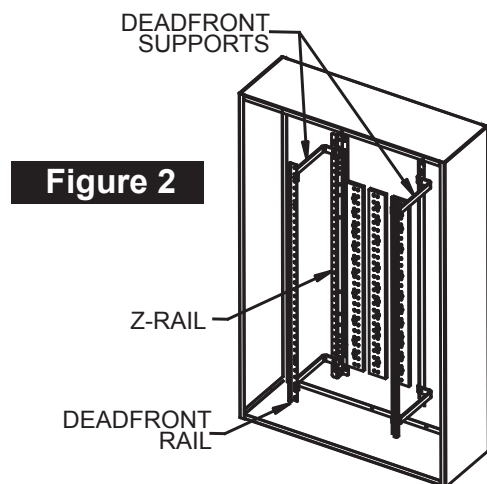
The following instructions are for the installation of **Siemens Type GB2** breakers (**NGB2, HGB2 or LGB2**) as branch devices in a Switchboard or Type P4 or Type P5 Panelboard. The parts provided in this kit connect **Type GB2** breakers to 3-phase/3-wire or 3-phase/4-wire systems **ONLY**. Kit **SGB2** is for shallow (P4) installations; kit **SGB2D** is for deep (P5 and Switchboard Distribution Section) installations. This kit requires 3-3/4" of unit space. **NOTE:** The breakers are **NOT** included in this kit and must be purchased separately.



1. Lock off power supplying this equipment before working on it.
2. Refer to Figure 1
Remove the gutter covers and cover plates.



3. Refer to Figure 2
To mount a Siemens Type GB2 circuit breaker, 3-3/4" of empty unit space is required. To locate the proper mounting position, measure from the top deadfront support to the intended location of the empty unit space (filler) on the deadfront. Transfer this dimension from the deadfront support along the Z-rail and mark. This will be the unit space (as shown in Figures 3 & 4). After marking the Z-rail, remove the deadfront rails.



4. If an existing branch module occupies the same location chosen for this kit, remove all of its devices, components and parts.

5. Open the shipping box and inspect the contents.

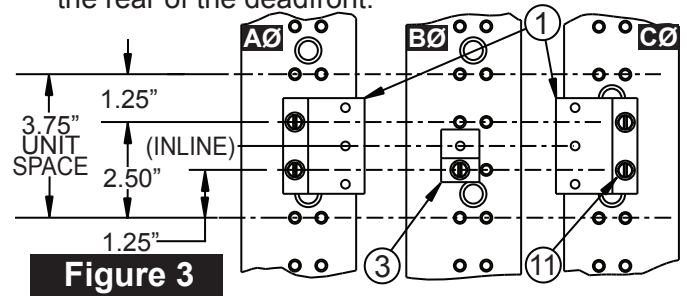
THIS KIT CONTAINS THE FOLLOWING ITEMS:

ITEM	DESCRIPTION	QTY
1	A/C-phase Runback *	2
2	A/C-phase Strap	2
3	B-phase Runback *	1
4	B-phase Strap	1
5	GB2 Barrier Support Bracket *	2
6	GB2 Top Barrier	1
7	3-3/4" Cover Plate	1
8	Circuit ID Card	6
9	Card Holder	6
10	Blank Filler **	6
11	Bus Hardware Kit, 1/8" Strap to Section **	1
12	#10-24 x 3/8" Hex Head Washer Screw	2
13	#10-24 x 1/2" Socket Head Cap Screw	6
14	1/4"-20 x 3/8" Hex Head Washer Screw	4
15	1/4"-20 x 5/8" Hex Head Washer Screw **	5
16	#8-32 x 5/8" Hex Head Washer Screw	2
17	Branch Neutral Connector ***	1
18	Branch Neutral Terminal Strip	1

* Kit contains shorter units for shallow applications (SGB2) or taller units for deeper applications (SGB2D).
 ** Application dictates amount of these components used.
 *** SGB2D only

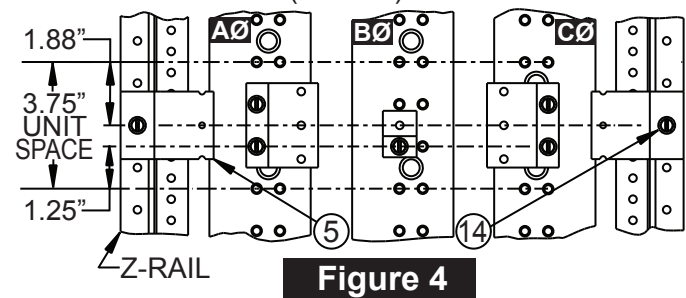
INSTALLING THE RUNBACKS

6. Refer to Figure 3
Locate (2) 0.228" diameter holes in the A-phase bus 1.25" down from the top of the 3.75" empty unit space selected. Insert (2) 1/4"-20 screws (see mounting hardware kit instructions located in Item 11 for the proper length) through the two mounting holes in the A/C runback (Item 1) and into the (2) selected holes in the A-phase bus (orienting the A/C strap as shown) and tighten. Repeat this step to mount the second runback to the C-phase bus. Insert one 1/4"-20 screw (Item 11) through the mounting hole in the B-phase runback (Item 3) and into the proper 0.228" hole located in the B-phase bus, 1.25" up from the bottom of the 3.75" empty unit space (orienting the B-phase runback as shown) and tighten. Torque all hardware as specified on the rear of the deadfront.



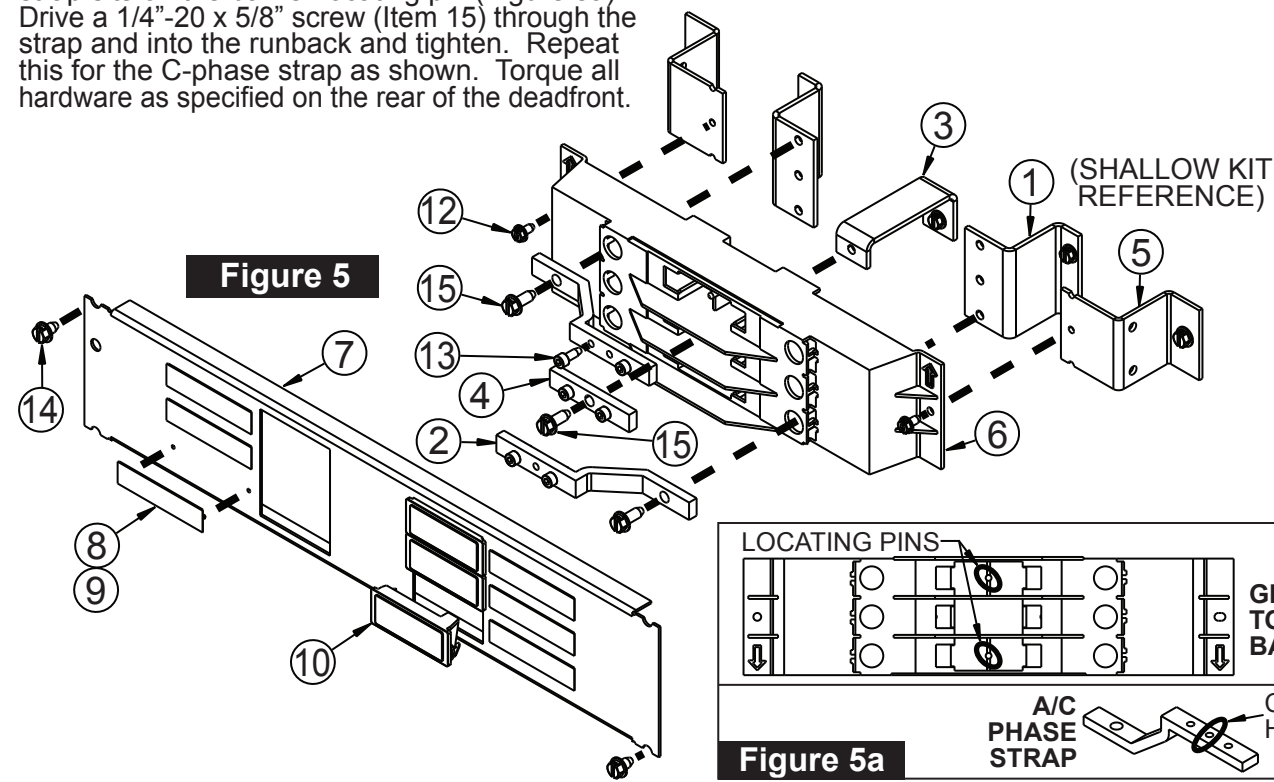
INSTALLING THE MOUNTING BRACKETS

7. Reference Figure 4
Locate a 0.228" diameter hole in the left Z-rail 1.88" below the top of the empty unit space selected. Insert a 1/4"-20 x 3/8" screw (Item 14) through the barrier support bracket (Item 5) mounting hole and into the selected hole in the Z-rail (orienting the bracket as shown). Repeat this for the second mounting bracket. Tighten these two screws (Item 14).



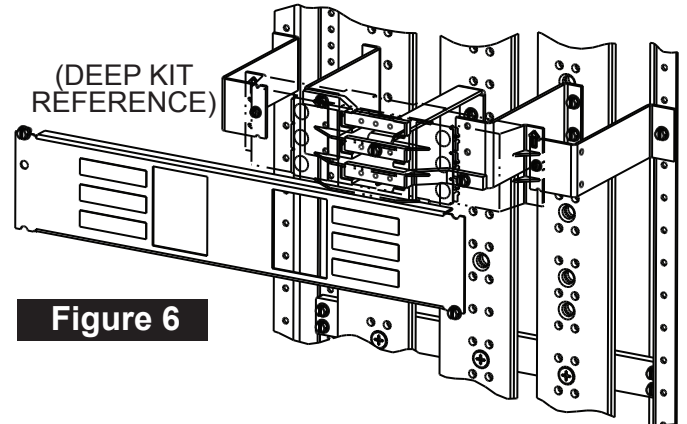
INSTALLING THE BARRIER & STRAPS

8. Reference Figure 5
Set the top barrier (Item 6) over the two barrier support brackets (Item 5) such that the barrier mounting holes align with the holes on the brackets. Insert a #10-24 x 3/8" screw (Item 12) on each side of the barrier and tighten. To install the B-phase strap (Item 4), locate it in the center opening such that the center hole lines up with the mounting hole on the B-phase runback. Drive a 1/4"-20 x 5/8" screw (Item 15) thru the strap and into the runback and tighten. For the A & C-phase straps (Item 2) take one and angle the mounting side under the barrier such that the strap mounting hole aligns with the appropriate hole in the A-phase runback and the center hole of the strap sits on the barrier locating pin (Figure 5a). Drive a 1/4"-20 x 5/8" screw (Item 15) through the strap and into the runback and tighten. Repeat this for the C-phase strap as shown. Torque all hardware as specified on the rear of the deadfront.



INSTALLING THE TYPE GB2 BREAKER

9. Reference Figure 6
Align the bottom of the Type GB2 Breaker with the top of the barrier. Slide the breaker along until the notch on the bottom of the breaker fully engages the edge of the barrier (as shown in Figure 6a). Once fully engaged, use #10-24 x 1/2" screws (Item 13) to secure the breaker tabs to the properly aligned straps. Torque all hardware as specified on the rear of the deadfront.



WARNING: Do NOT use with NGB, LGB or HGB breakers. ONLY use with NGB2, LGB2 or HGB2 breakers.

WARNING: Do NOT use with NGB, LGB or HGB breakers. ONLY use with NGB2, LGB2 or HGB2 breakers.