

AB1518A

DWG NO. A-62979 SHT 1 REV B THIRD ANGLE PROJ

SIEMENS

Siemens Energy & Automation, Inc. Bellefontaine, Ohio 43311 U.S.A. © Siemens Energy & Automation, Inc. 1987

Item: MSE6 BREAKER MOUNTING SCREWS For Use With: I-T-E® E & ED FRAME CIRCUIT BREAKERS AND MOLDED CASE SWITCHES (See Types Below) Pc. No. 62979A00

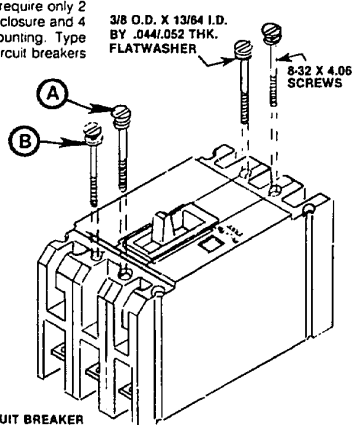
Installation Instructions

⚡ DANGER
Hazardous Voltage.
Will cause severe injury or death.
Turn power off supplying device before installing kit

SAFETY INSTRUCTIONS

Breaker Types:
E2(A), (H)E4(A), (H)E6(A)(ETI), CLE(A)(ETI), ED2(Y), (H)ED4, (H)ED6(ETI), CED6(ETI)

- 1. Turn power off supplying device before installing kit
- 2. Assemble screws A & washers B through breaker as shown. Circuit Breakers without the add-on interrupter (ie not types CLE(A)(ETI) and CED6(ETI)) require only 2 screws in an I-T-E E frame enclosure and 4 screws when using other mounting. Type CLE(A)(ETI) and CED6(ETI) circuit breakers require 6 screws.



PC. NO. 62979A00

SIEMENS

Siemens Energy & Automation, Inc. Bellefontaine, Ohio 43311 U.S.A. © Siemens Energy & Automation, Inc. 1987

Item: MSE6-100 BREAKER MOUNTING SCREWS For Use With: I-T-E® E & ED FRAME CIRCUIT BREAKERS AND MOLDED CASE SWITCHES (See Types Below) Pc. No. 62843A00

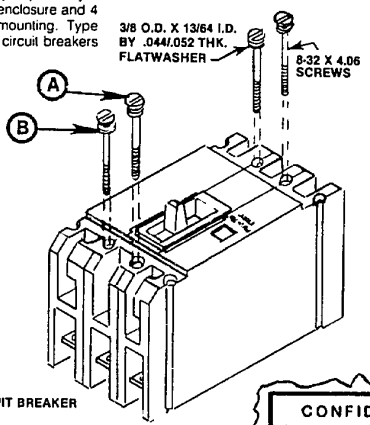
Installation Instructions

⚡ DANGER
Hazardous Voltage.
Will cause severe injury or death.
Turn power off supplying device before installing kit

SAFETY INSTRUCTIONS

Breaker Types:
E2(A), (H)E4(A), (H)E6(A)(ETI), CLE(A)(ETI), ED2(Y), (H)ED4, (H)ED6(ETI), CED6(ETI)

- 1. Turn power off supplying device before installing kit.
- 2. Assemble screws A & washers B through breaker as shown. Circuit Breakers without the add-on interrupter (ie not types CLE(A)(ETI) and CED6(ETI)) require only 2 screws in an I-T-E E frame enclosure and 4 screws when using other mounting. Type CLE(A)(ETI) and CED6(ETI) circuit breakers require 6 screws.



PC. NO. 62843A00

MATERIAL
20 LB. WHITE BOND PAPER, 5.00 X 8.00.
BLACK PRINTING ON WHITE BACKGROUND

REVISIONS

REV	DESCRIPTION	DATE	APPROVED
A	REVISED & REDRAWN. SEE ECN FOR DETAILS.	SEPT. 1, 1987	REKROUSKOP
B	PC. NO. "62979A00" WAS "62979". PC. NO. "62843A00" WAS "62843". OBSOLETE PC. NO'S. "62979 & 62843". "A" WAS "B" AND REMOVED "REV. A", BESIDE PC. NO., ON BOTH INSTRUCTION SHEETS. SEE ECN.	FEB. 16, 1996	TLS/RLS

CONFIDENTIAL - PROPERTY OF SIEMENS ENERGY & AUTOMATION, INC.

UNLESS OTHERWISE SPECIFIED DIMENSIONS ARE IN INCHES
TOLERANCES:
.XX
.XXX
ANGULAR
DO NOT SCALE DRAWING

Siemens Energy & Automation, Inc.
I-T-E Circuit Protection Division

INSTRUCTION SHEET FOR E, HE,
FRAME MOUNTING SCREWS

DWN REK	DATE 9-1-87	SIZE	FSCM NO.	DWG NO.	REV
CHK	DATE	A		A-62979	B
APVD	DATE	SCALE FULL		SHEET 1 OF 1	

FOLDER (97) (117)