

REVISIONS			
REV	DESCRIPTION	DATE	APPROVED
2	REVISED AND RELOCATED "FOR USE WITH" . ADDED CAT. NO.S FDFBER (4), FDFBFR (4), FDFBFL (4) AND FDFBFL (4) . CHANGED MOUNTING SCREWS LENGTH FROM 1 TO 1 1/8. ADDED PARAGRAPH 3.1.3 AND FIGURE 4.	03/22/90	SJJ

A RELEASED TO OHIO S.I.D. 1-7-92

NOTES:

1. MATERIAL - 60 LB WHITE UNCOATED OFFSET PAPER, BLACK LETTERING.
2. DESCRIPTION-TWO PAGE FOLDED. FOLDED DIMENSION 8 1/2 X 11.
3. TYPESET ALL LETTERING IN HELEVETICA STYLE.
4. REFERENCE PROCEDURE PDC 012.

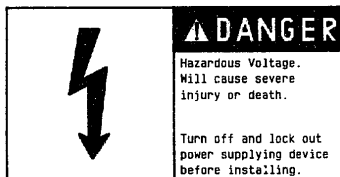
SIEMENS

Item: HAS1
Auxiliary Switch
For Use With: I-T-E® Breaker Operator listed below.

Siemens Energy & Automation, Inc.
Bellfontaine, Ohio 43311 USA.

Page 1 of 3

Installation Instructions



Switch Data
Type: SPDT
Max. AC Amps - 15
Max. AC Volts - 480
0.5A Max. at 125 VDC
0.25A Max. at 250VDC

Breaker Operators:

FHOEBO	RHOEBO
FHOFBO	RHOFBO
FHOJBO	RHOJBO
FDFBER (4)	
FDFBEL (4)	
FDFBFR (4)	
FDFBFL (4)	

SAFETY INSTRUCTIONS

These instructions outline the recommended installation procedures.

Description

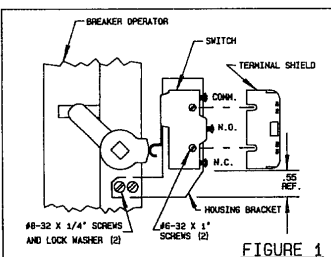
The auxiliary switch, with its mounting brackets, mounts to above I-T-E® rotary flange mount type breaker operators. It is operated when the circuit breaker is moved from OFF to ON or from ON to OFF.

SWITCH INSTALLATION

1. Turn off and lock out all power before installing.

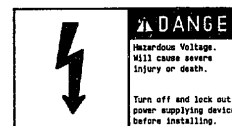
2. Rotary Type Operators (See Figure 1)

- 2.1 Assemble the switch to the bracket as shown using two (2) #6-32 x 1 1/8" long screws. Note reference dimension to determine correct mounting holes. Do not tighten the switch mounting screws. Using the two (2) #8-32 x 1/4" long screws and lockwashers, attach the bracket to the rotary circuit breaker operator. Tighten bracket mounting screws to 20 in-lbs.



- 2.2 Remove the knockouts from the terminal shield and insert the connecting wires through the holes. Attach the wires to the switch terminals and tighten the terminal screws to 8 in-lb. Push the terminal shield onto the switch and tighten the switch mounting screws to 11 in-lbs.

Siemens Energy & Automation, Inc.
Bellfontaine, Ohio 43311 USA.



Page 2 of 3

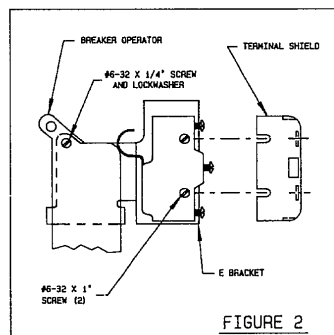
Installation Instructions

3. Flange Mount Type Operators

3.1 Attach Switch and Mounting Bracket

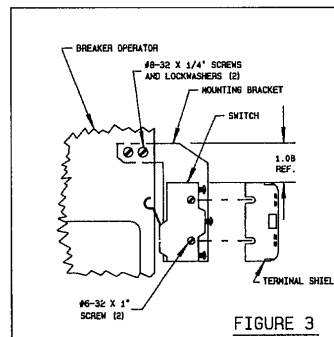
3.1.1 FHOEBO - See Figure 2

Assemble switch to "E" bracket using two (2) #6-32 x 1 1/8" long mounting screws. Do not tighten screws. Attach bracket to the breaker operator using one (1) #6-32 x 1/4" long mounting screw and lockwasher. Tighten screw to 11 in-lbs.

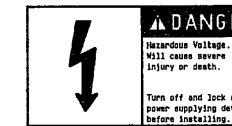


3.1.2 FHOFBO or FHOJBO - See Figure 3

Assemble switch to brackets as shown using two (2) #6-32 x 1 1/8" long mounting screws. Note reference dimension to determine correct mounting holes. Do not tighten screws. Attach bracket to breaker operator using two (2) #6-32 x 1/4" long screws and lockwashers. Tighten screws to 11 in-lbs.



Siemens Energy & Automation, Inc.
Bellfontaine, Ohio 43311 USA.



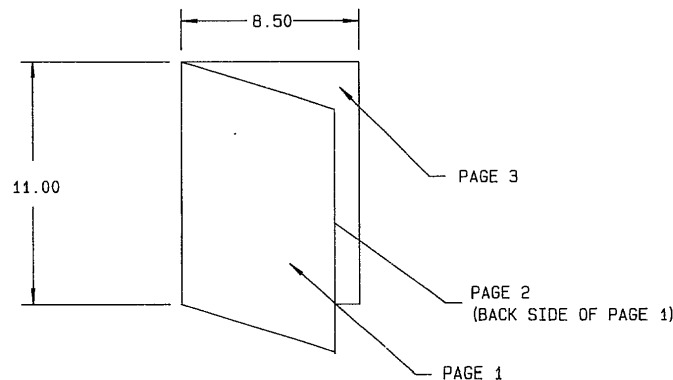
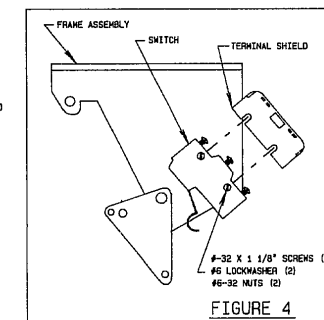
Page 3 of 3

Installation Instructions

3.1.3 FDFB Series Breaker Operator - See Figure 4

Attach switch to frame assembly as shown using two (2) each #6-32 x 1 1/8" mounting screws, #6 lockwasher and #6-32 nuts. Do not tighten screws.

- 3.2 Remove the knockout from the terminal shield and insert the connecting wires through the holes. Attach the wires to the switch terminals and tighten the terminal screws to 8 in-lbs. Push the terminal shield onto the switch and tighten the mounting screws to 11 in-lbs.



745198A00		PART OR IDENTIFYING		MATERIAL/SPECIFICATION	
CONFIDENTIAL- PROPERTY OF Siemens Energy & Automation Inc.					
Siemens Energy & Automation, Inc. Circuit Protection & Controls Division					
INSTALLATION INSTRUCTIONS AUXILLIARY SWITCH					
DWN	SJJ	DATE03/22/90	SIZE	FSCN NO.	DWG NO. 745198
CHK	RMB	DATE03/26/90	D		REV A
APVD	LGN	DATE03/29/90	SCALE	NONE	SHEET 1 OF 1

FOLDER 112 THIS IS A CAD DRAWING