

REVISIONS			
REV	DESCRIPTION	DATE	APPROVED
A	REGULAR RELEASED TO OHIO PRODUCTION	JUL 16, 96	M. ELSON

# SIEMENS

Item: Pressure Wire Connectors  
 For Use With: HCP367V, HCP368V,  
 HCP327VT and HCP328VT Switches

Siemens Energy & Automation, Inc.  
 Bellefontaine, OH 43311 U.S.A.

Page 1 of 1  
 Pc.No. 410238A00

© Siemens Energy & Automation, Inc. 1987

## Installation Instructions

**⚠ DANGER**

**Hazardous Voltage. Will Cause Death or Severe Injury.**  
 Turn off and lock out all power supplying this device before working on or installing lugs on this device.

Replace all covers and shields before power supplying this device is turned on.

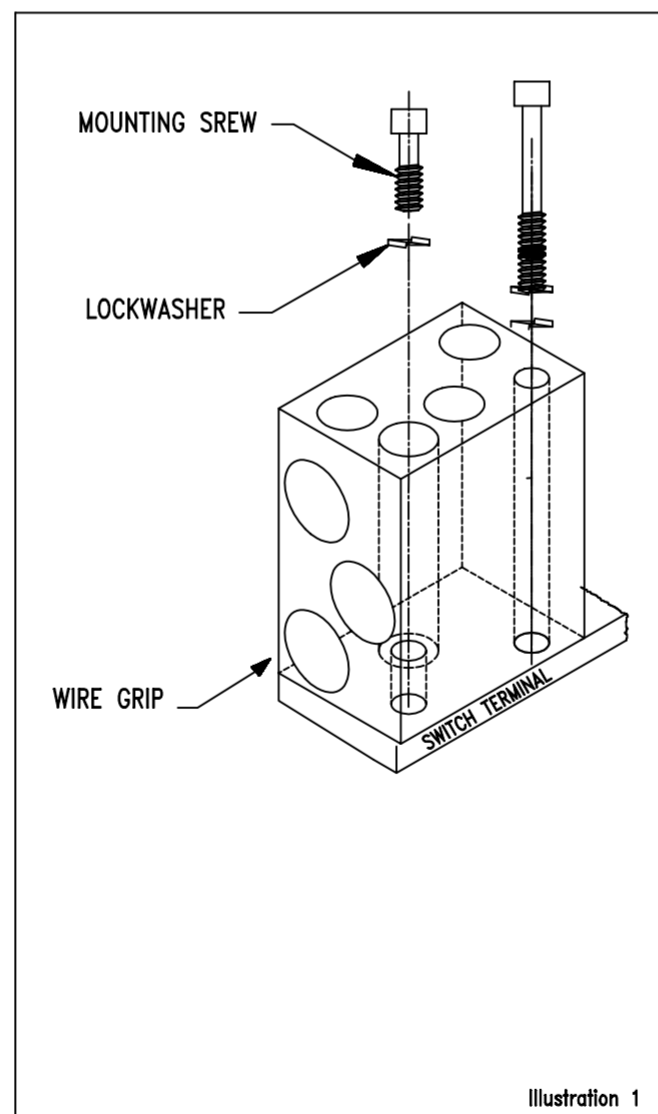
Table 1

Catalog No.	Wire Range	Set Screw Torque
TA3H750	(3) 500-750 kcmil. Cu/Al	32 ft. lbs. 375 in. lbs.

### SAFETY INSTRUCTIONS

NOTE: This instruction outlines the recommended installation procedure.  
 Catalogs No.: TA3H750

1. Turn off power ahead of device before installing lugs.
2. Move switch handle to "off" position. Switch must be in "off" position before continuing
3. Open cover to install lugs and cable.
4. Attach lugs to line and load side straps with 3/8-16 bolts and washers  
 The recommend torque is 228 in. lbs.(19 ft. lbs.)
5. Attach power cables to connectors and tighten to specifications per table 1.



PC. NO. 410238A00

NOTE: 1. BLACK PRINTING ON WHITE BOND 8-1/2 X 11

CONFIDENTIAL- PROPERTY OF Siemens Energy & Automation, Inc.					
UNLESS OTHERWISE SPECIFIED DIMENSIONS ARE IN INCHES DO NOT SCALE DRAWING		Siemens Energy & Automation, Inc.			
TOLERANCES: .xx ± .01 .xxx ± .005 ANGULAR ± 1°		 THIRD ANGLE PROJ.		<b>INSTRUCTION SHEET WIRE CONNECTOR HCP SWITCH</b>	
DWN RLATIMER	DATE 6/10/96	SIZE <b>C</b>	FSCM NO.	DWG NO. 410238	REV. A
CHK	DATE	SCALE 1:1		ACAD FILE	SHEET 1 OF 1
APVD	DATE				