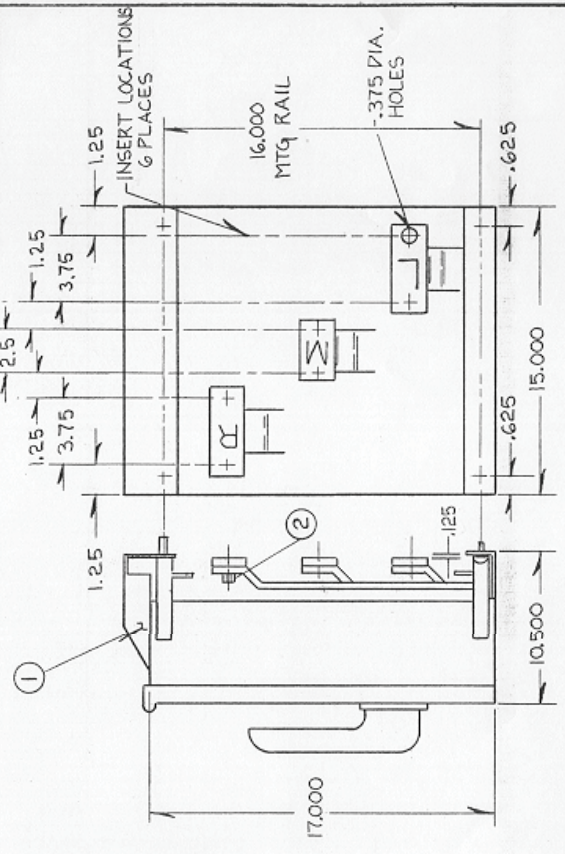


REVISIONS				
REV	C.N.	DESCRIPTION	DATE	BY
0	IA036		8-26-88	RA
1	IA924		5-24-91	RA
2	IB-298		4-20-95	RA



NOTES:

- 1) TORQUE VALUES: ALUM. 50 IN-LBS.; COPPER 72 IN-LBS.
- 2) FASTEN SWITCH TO Z-RAIL WITH CAPTIVE 1/4-20 SCREWS.

FOR FUSIBLE SWITCH CAT. NOS.
V7H2205, V7H2206, V7H3205, V7H3206
V7H2605, V7H2606, V7H3605, V7H3606



UNLESS OTHERWISE SPECIFIED DIMENSIONS ARE IN INCHES TOLERANCES ARE NON-CUMULATIVE UNLESS OTHERWISE SPECIFIED OTHERWISE:		CONFIDENTIAL - PROPERTY OF SIEMENS INDUSTRY, INC.	
.XX ± .030	ANGULAR ± 2°	Siemens Industry, Inc. Building Technologies Division	
DO NOT SCALE DRAWING		VACU-BREAK MOUNTING ▲ F2 BRANCH BUS KIT 15 SINGLE UNIT	
DWN L. PAGE	DATE 3-23-88	SIZE	FSCM NO.
CHK	DATE 7-17-88	SCALE	N.T.S.
APVD	SH	DATE 9-21-88	DATE 11-B-2007-00
SHEET 1		OF 2	

Apvd	SH	ITEM	DESCRIPTION	PC. NO.	QTY.	
5-12-95		1	FUSIBLE SWITCH	CAT. NO. *	1	
		2	1/4-20 X 1 1/4 SHWSW	11-1553-11	6	
		3	NEUTRAL LUG ASSEMBLY	12-B-2105-06	2	
		4				
		5				
		6				
		7				
		8				
		9	INSTRUCTION LABEL	31-1243-01	1	
		10	CARTON LABEL	15-A-1027-01	1	
		11	CARTON	48000989 ▲	1	
		12				
		13				
		14				
		15				
		16				
		17				
		18				
		19				
		20				
		21				
		22				
		23				
		24				
		25				
		26				
		27				
		28				
		29				
		30				
		31				
		32				
		33				
		34				
		35				
		36				
		37	* VACU-BREAK CAT. NO. F61500			
		38	FOR FUSIBLE SWITCH CAT. NOS. V7H2205, V7H2206, V7H3205, C7H3206, V7H3206, V7H2605, V7H2606, C7H3605, V7H3606			
		39				
		40				
		41				
		42				
		43				
		44				
		Confirmed - property of Siemens Industry, Inc. Building Technologies Division			Title VACU-BREAK MOUNTING F2 BRANCH BUS KIT	Sht. 1 Of 1
					3	Rev.

FOR USE WITH 15" HIGH SINGLE UNITS (400A,600A)
MOUNTED IN SPP/FPP/S5/F2/P5 PANELBOARDS (DEEP BOX).