

CATALOG NUMBER

EC9747-1113



Adapter Plate

Same As:

■ HDRXA ■ S9747-1113



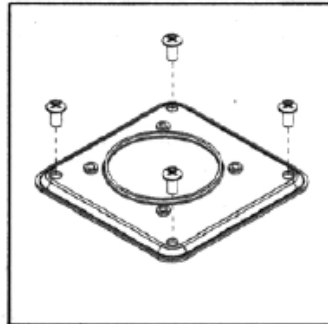
INSTALLATION INSTRUCTIONS



⚠ DANGER

Hazardous Voltage.
Will cause death,
serious injury or substantial
property damage.

Turn off power supplying this
equipment before working inside.



⚠ SAFETY INSTRUCTIONS

Note: This instruction outlines the recommended installation procedure.

1. Turn off and lock off the power supplying this equipment before working inside.
2. Attach adapter plate to enclosure head with the four (4) screws provided.
Tighten screws to 35-40 lb-in.

600677A Rev.1

Siemens Industry, Inc.

Norcross, Georgia U.S.A.

Assembled in Mexico