

Instructions

April, 2001
Supersedes Issue of
July, 2000

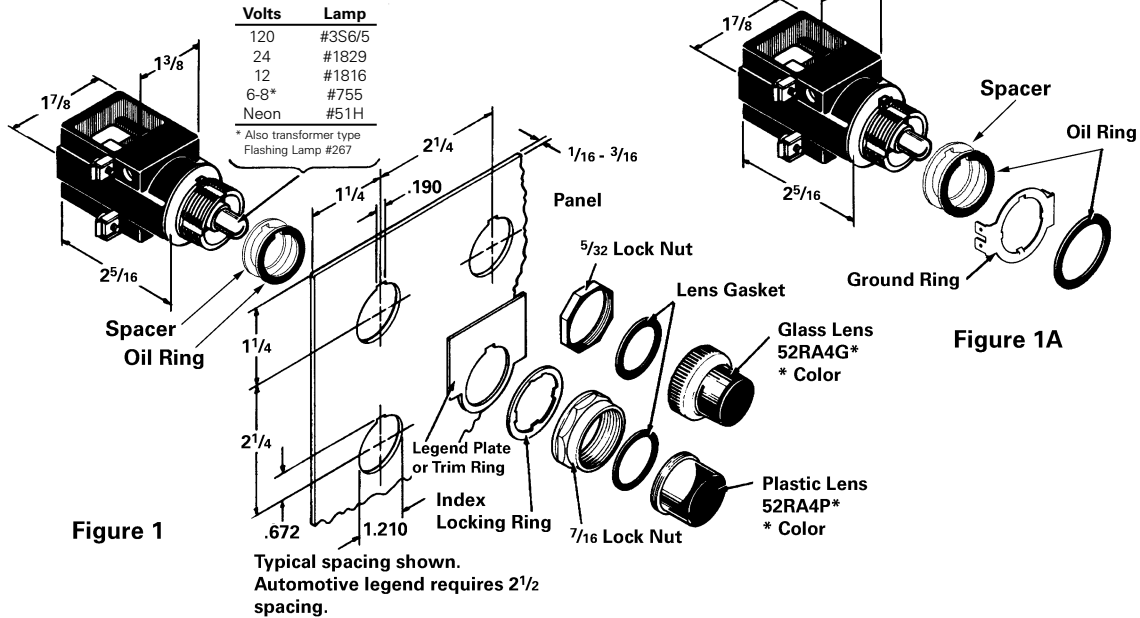
When installed as indicated, these operators are suitable for use in Type 1, 3, 3R, 4, 12, or 13 enclosures.

Black Max (52PX) suitable for Type 4X enclosures.

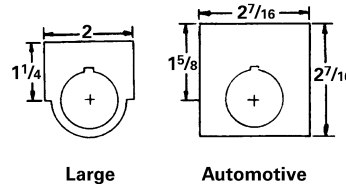
52-HPA4

Pilot Light
Class 52
Class Series

Cat. No. 52PA4, 52PA5, 52PX4



	WARNING
	Hazardous voltage. Can cause death, serious personal injury, or property damage.
	To avoid electrical shock, turn off electrical power to controls before performing installation or maintenance.



INSTALLATION

Units are assembled as shown

1. Assemble oil ring.
2. Mount unit on panel as shown in the illustration.
- 2a. When installing a pilot light in a NEMA 4 plastic or non-corrosive enclosure, a grounding ring and two oil rings must be installed. See Fig. 1A for placement. (Order kit #52AL109145 includes 1 ground ring and 1 oil ring.)
- 3.* Position trim ring or legend plate (trim ring is discarded when legend plate is used).
4. Position index locking ring on unit as shown in illustration.
5. Assemble and tighten lock nut to 15 ft. lbs.
* Trim ring not used on black 4X devices.

Notes for BlackMax 4X devices:

- * The trim ring is not needed or supplied.
- * Only use the index locking ring when using a metal nameplate. Discard when not using a name plate or when using a plastic name plate.
- * Use locknut wrench, **52MAWB**.

These instructions do not purport to cover all details or variations in equipment, nor to provide for every possible contingency to be met in connection with installation, operation or maintenance. Should further information be desired or should particular problems arise which are not covered sufficiently for the purchaser's purposes, the matter should be referred to the local Siemens sales office.

The contents of this instruction manual shall not become part of or modify any prior or existing agreement, commitment or relationship. The sales contract contains the entire obligation of Siemens. The warranty contained in the contract between the parties is the sole warranty of Siemens. Any statements contained herein do not create new warranties or modify the existing warranty.

(For Engineering Reference Only - Rev. F)