

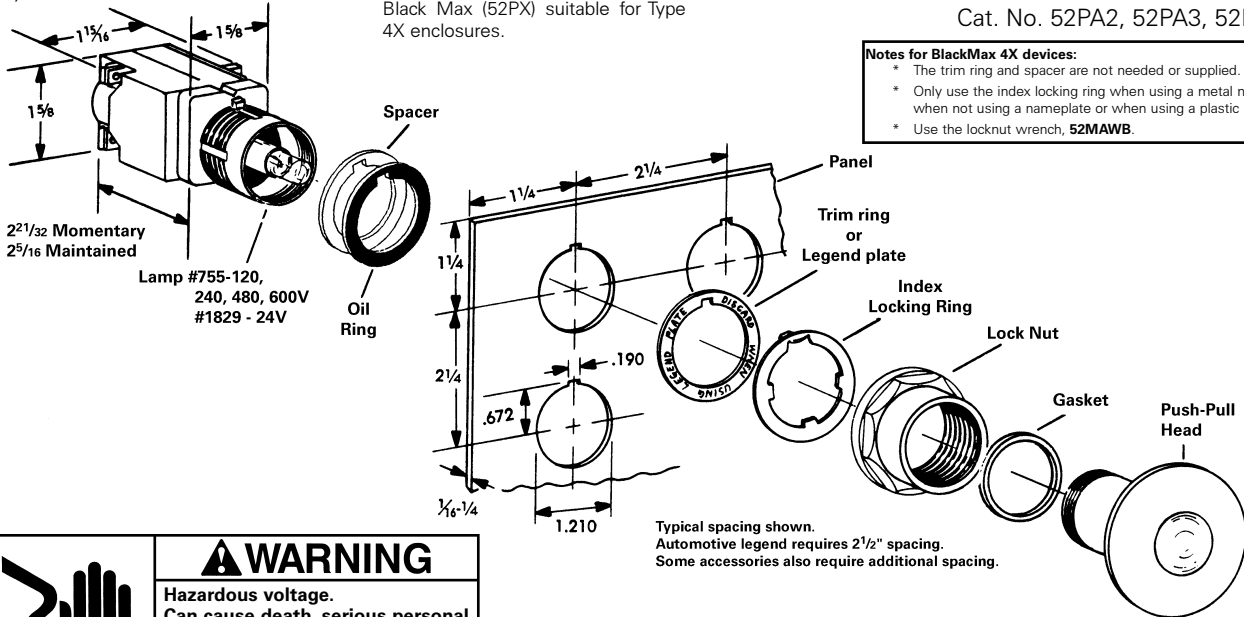
## Instructions

April, 2001  
Supersedes Issue of  
July, 2000


When installed as indicated, these operators are suitable for use in Type 1, 3R, 4, 12, or 13 enclosures.

Black Max (52PX) suitable for Type 4X enclosures.

Oil Tight Push-Pull Operator  
Momentary & Maintained with Pilot Light  
Class 52  
Cat. No. 52PA2, 52PA3, 52PX2, 52PX3



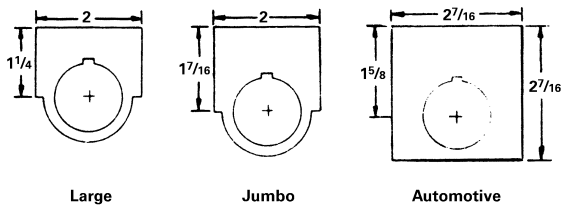
**Notes for BlackMax 4X devices:**  
 \* The trim ring and spacer are not needed or supplied.  
 \* Only use the index locking ring when using a metal nameplate. Discard when not using a nameplate or when using a plastic name plate.  
 \* Use the locknut wrench, 52MAWB.



**WARNING**

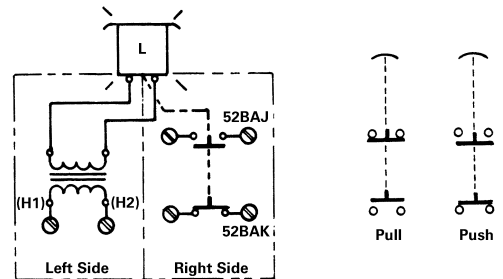
**Hazardous voltage.**  
Can cause death, serious personal injury, or property damage.

To avoid electrical shock, turn off electrical power to controls before performing installation maintenance.

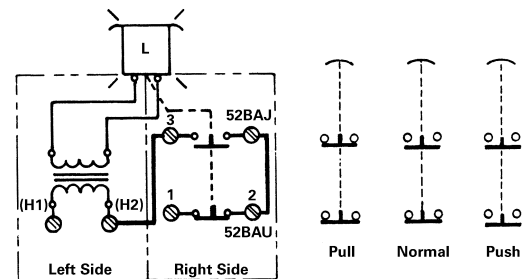


### WIRING - CONTACT POSITION

Maintained 2 Position



### Momentary Contact 3 Position



### Installation

1. Remove push-pull head (turn counter clockwise to loosen).
  2. Remove lock nut, locking ring and trim ring.
  - \*3. Mount unit in panel as shown. Secure with locknut to 15 ft.-lbs.
  4. Replace Push-Pull head. Make sure gasket is in place.
- \* Spacers & trim ring not used on black 4X devices.

When adding contact blocks, observe the following:

#### Maintained Push-Pull

1. For normally open contacts the 52BAK contact block is used.
2. For normally closed contacts the 52BAJ contact block is used.

#### Momentary Push-Pull

1. For normally open contacts, the 52BAJ (normally closed) block is used. When mounted on this operator, the contact block becomes normally open.
2. For normally closed contacts, the special 52BAU contact block is used. This contact block must be mounted last.

These instructions do not purport to cover all details or variations in equipment, nor to provide for every possible contingency to be met in connection with installation, operation or maintenance. Should further information be desired or should particular problems arise which are not covered sufficiently for the purchaser's purposes, the matter should be referred to the local Siemens sales office.

The contents of this instruction manual shall not become part of or modify any prior or existing agreement, commitment or relationship. The sales contract contains the entire obligation of Siemens. The warranty contained in the contract between the parties is the sole warranty of Siemens. Any statements contained herein do not create new warranties or modify the existing warranty.

(For Engineering Reference Only - Rev. F)