

Instructions

51-HPD8

July, 2000
Supersedes Issue of
July, 1999

Dual Push Button Operator
For Type 3, 4, 7, 9 Enclosures
Class 14, 18, 22, 40 & 51
Cat No 51PD8

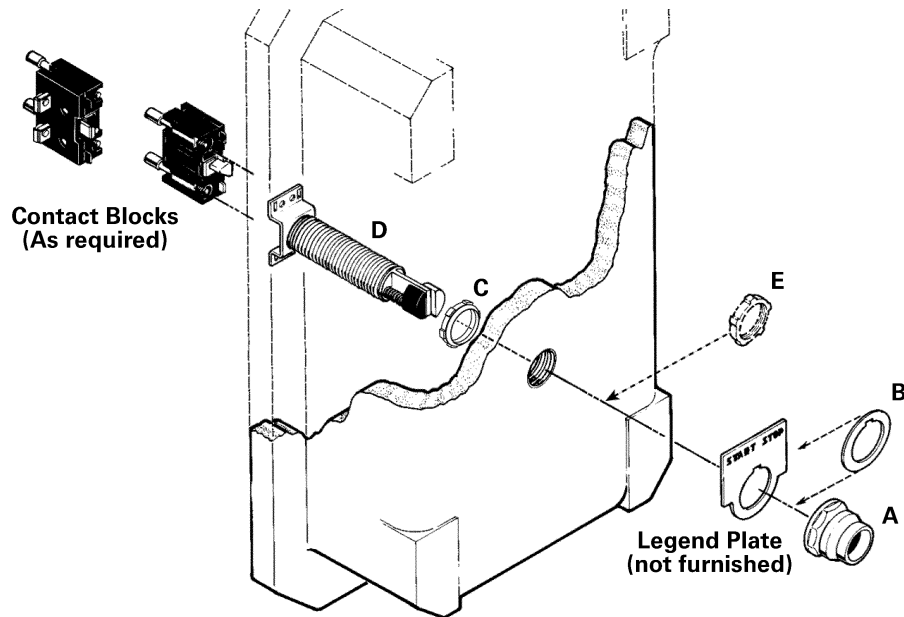


Figure 1

DESCRIPTION

The Class 51 dual push button operator has two switch actuators contained in a single bushing. The semi-circular push button caps are different colors and are separated by a wall which is part of the bushing. The black "START" push button cap is flush with the top of the bushing wall; the red "STOP" push button cap is raised. This design helps prevent accidentally actuating both switches at once and allows quick location of the stop button when necessary. Both push button caps are raised from the octagonal lock nut for good accessibility.

The operator is available in two bushing lengths, short or long. The short bushing is for use on an enclosure cover with maximum thickness of $\frac{7}{8}$ inch. The long bushing can be used on a standard enclosure with additional front panel or on a very thick enclosure ($2\frac{1}{8}$ inch maximum cover thickness.) A sealing lock nut and an octagonal lock nut secure the bushing in position. For long bushing installation in an enclosure and panel, an additional lock nut secures the bushing behind the panel.

The operator accommodates mounting up to eight Furnas brand Class 52 contact blocks. (NEMA A600 rating)

Use with Type 3, 4, 7, 9 enclosures. When used in a Type 3 or 4 enclosure, mount on a flat surface.

Contents of kits with catalog number beginning with 51PD8:


- 1 **A** octagonal lock nut
- 1 **B** trim washer
- 1 **C** sealing lock nut
- 1 **D** push button operator assembly
- 1 **E** plain lock nut for long bushing kits only

	<h3>WARNING</h3>
	<p>Hazardous voltage. Can cause death, serious personal injury, or property damage.</p> <p>Disconnect power before working on this equipment.</p>

CONTACT INSTALLATION

The contact blocks can be attached to the operator bracket before or after installing the push button operator. Mounting the contact blocks first avoids the problem of limited access in an enclosure. From 1 to 8 Furnas brand Class 52 contact blocks can be used with each operator; arrange blocks not to exceed four levels. Check enclosure depth for adequate space and the $\frac{1}{2}$ inch air clearance note in the warning.

(For Engineering Reference Only - Rev. D)

	⚠ WARNING
	<p>Hazardous voltage. Can cause death, serious personal injury, or property damage.</p> <p>Maintain 1/2 inch minimum clearance through air between uninsulated live parts, such as contact block terminals, and enclosure.</p>

BUSHING INSTALLATION

1. Mount operators on 2 1/4 inch minimum centers.
2. On the enclosure panel or cover, drill and tap a 3/4 14NPSM-2A hole for each operator. The thickness of the enclosure panel must allow a 5-thread minimum engagement with the bushing.
3. For operators mounted near the edge of the enclosure panel, be sure to maintain 1/2 inch minimum air clearance between contact block terminals and enclosure wall.
4. Remove octagonal lock nut **A** and trim washer **B** from the assembly **D**.
5. Move sealing lock nut **C** to the rear of the bushing.
6. From inside the enclosure, install assembly **D** through a 3/4 inch 14NPSM tapped hole until the front of the bushing projects 4 or 5 threads from the front surface of the enclosure. Position the bushing with the flush black pushbutton cap to the operator's left as shown in Figure 1. Proper positioning of the bushing is required to match the push button caps with the legend plate inscriptions and also provides vertical alignment of the contact block terminals.
7. Place trim washer **B**, or the legend plate (optional), and lock nut **A** on the projecting bushing. Align the legend plate as desired. Tighten the lock nut securely.

Note: When the legend plate is used, discard trim washer **B**.
8. To secure the operator in position, tighten the sealing lock nut **C** securely against the enclosure.

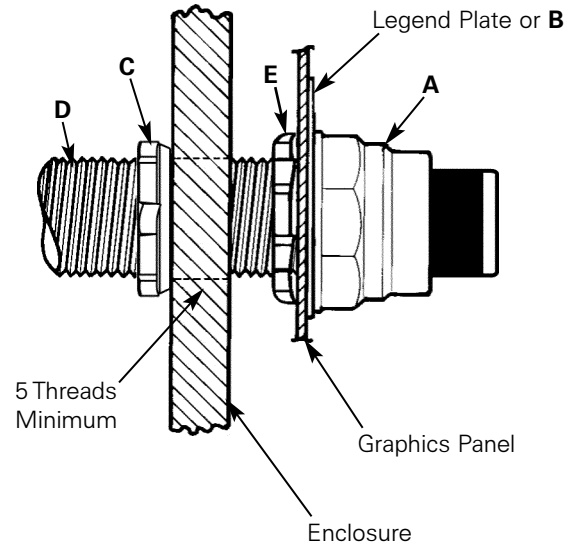


Figure 2

Using wrench catalog number 52MAWA or 52MAWB facilitates assembly and prevents scoring of the octagonal lock nut **A**; however, neither tool is required for installation.

When the long bushing operator is used on a very thick enclosure, follow the instructions for short bushing installation, discarding plain lock nut **E**.

For an enclosure with panel mounting, observe the following mounting dimensions:

1. On the graphics panel, drill a 1 1/32 inch diameter minimum clearance hole in line with the tapped hole for each operator.
2. When installing assembly **D**, include lock nut **E** and front panel as shown in Figure 2.