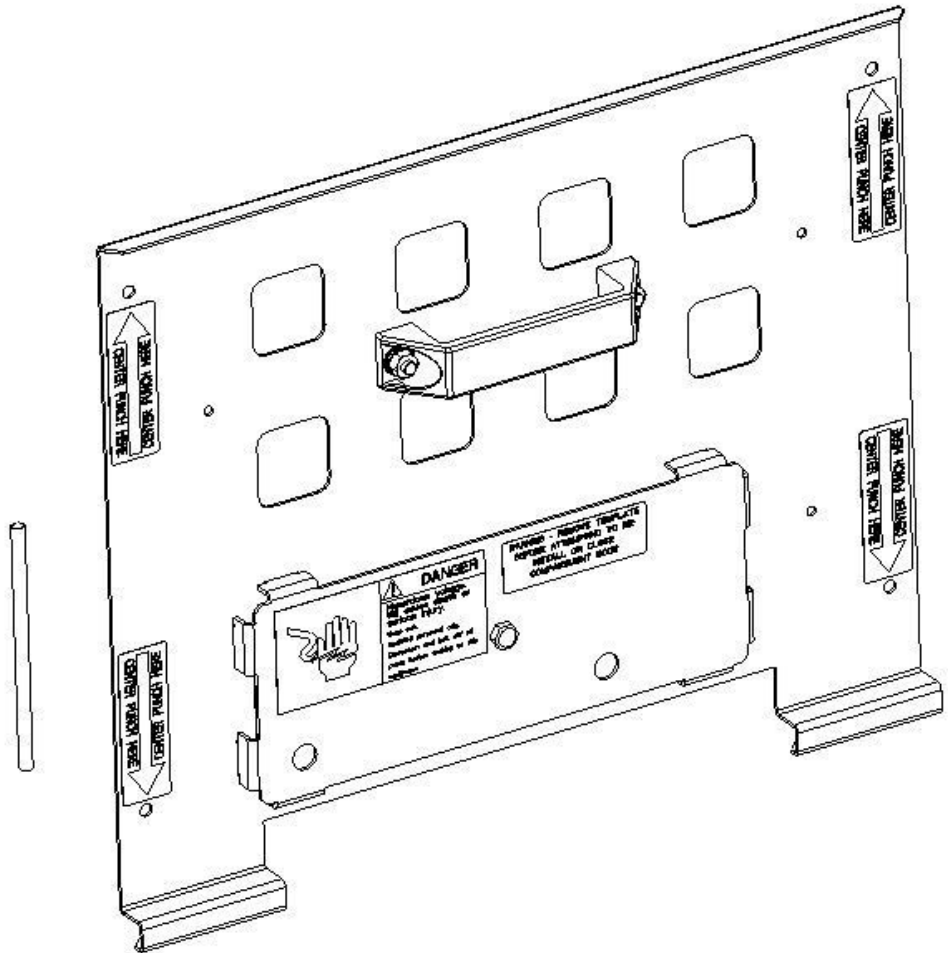


User Guide

SIEMENS Door Bracket Field Installation Template for the Remote Breaker Racking Device WLRBRDTEMPL



User Guide P/N: 11-D-9159-01 Rev. 0



SAFETY PRECAUTIONS

- (a) Only qualified persons familiar with the construction and operation of Low Voltage Switchgear containing Low Voltage Power Circuit Breakers should perform work described in this set of instructions and . Such work should be performed only after reading this complete set of instructions, the WL Circuit Breaker Operating Instructions, catalog # WLOPMAN1 or WLULOPMAN1, and the Type WL Switchgear Instruction and Installation Guide, catalog # LVBR-02000.
- (b) Follow safety related work practices as described in NFPA 70E at all times.
- (c) Hazardous voltages in all electrical equipment can cause severe personal injury or death. Energizing the equipment for the first time after initial installation or maintenance is potentially dangerous. Inspection and maintenance should be performed on the equipment only after power has been cut off, disconnected, and electrically isolated so that no accidental contact can be made with energized parts.
- (d) Some types of electrical equipment will cause harmonics in the electrical system which may result in overheating. Consider this condition when determining this equipment loading, as possible de-rating of equipment may be necessary.

IMPORTANT

The information contained herein is general in nature and not intended for specific application purposes. It does not relieve the user of responsibility to use sound practices in application, installation, operation, and maintenance of the equipment purchased. Siemens reserves the right to make changes in the specifications shown herein or to make improvements at any time without notice or obligations. Should a conflict arise between the general information contained in this publication and the contents of drawings or supplementary material or both, the latter shall take precedence.

QUALIFIED PERSON

For the purpose of this manual and product labels, a qualified person is one who is trained in the installation, construction, operation or maintenance of the equipment and the hazards involved. In addition, this person must have the following qualifications:

- (a) **is trained and authorized** to de-energize, clear, ground, and tag circuits and equipment in accordance with established safety practices.
- (b) **is trained** in the correct care and use of protective equipment such as rubber gloves, hard hat, safety glasses or face shields, flash clothing, etc., in accordance with established safety practices.
- (c) **is trained** in rendering first aid.

SIGNAL WORDS

The signal words "**Danger**," "**Warning**" and "**Caution**" used in this manual indicate the degree of hazard that may be encountered by the user. These words are defined as:

Danger - Indicates an imminently hazardous situation which if not avoided, **will** result in death or serious injury.

Warning - Indicates a potentially hazardous situation which, if not avoided, **could** result in death or serious injury.

Caution - Indicates a potentially hazardous situation which, if not avoided, **may** result in minor or moderate injury.

DANGEROUS PROCEDURES

In addition to other procedures described in this manual as dangerous, user personnel must adhere to the following warnings:

(a) **Danger!** High Voltage. Qualified personnel only. Lock off all power to this equipment before working inside. Only work on de-energized equipment. Always de-energize equipment before performing any tests, maintenance or repair.

(b) **Warning!** Always perform maintenance on the interrupting device after the closing mechanism(s) are discharged.

(c) **Caution!** Always let an interlock device or safety mechanism perform its function without forcing or defeating the device.

(d) **Caution!** Hydrocarbon spray propellants and hydrocarbon compounds will cause degradation of certain plastics. Contact your local Siemens representative before using these products to clean or lubricate components during installation or maintenance.

Siemens Door Bracket Field Installation Template for the Remote Breaker Racking Device User Guide

TABLE OF CONTENTS

1	Introduction	5
2	Breaker Door Instructions	6
3	Fuse Carriage Door Instructions	9
	Appendix	13
A	Troubleshooting.....	13
B	Related Catalog Numbers / Spare Parts	14
C	Customer Service Support Info.....	15

These instructions do not purport to cover all details or variations in equipment, nor to provide for every possible contingency to be met in conjunction with installation, operation or maintenance. Should further information be desired, or should particular problems arise which are not covered sufficiently for the purchaser's purposes, the matter should be referred to the local Siemens sales office. The contents of this instruction manual shall not become part of or modify any prior or existing agreement, commitment or relationship. The sales contract contains the entire obligation of Siemens. The warranty contained in the contract between the parties is the sole warranty of Siemens. Any statements contained herein do not create new warranties or modify the existing warranty.

Chapter

1 Introduction

Overview

The purpose of this manual is to assist the user in utilizing the Remote Breaker Racking Device Door Bracket Field Installation Template (WLRBRDTEMPL) to field install WLRBRDKIT door brackets.

The WLRBRDTEMPL assembly consists of the following components: (See Fig 1.1)

1. Main Template Assembly for use on Breaker and Fuse Carriage Doors
2. Transfer Punch for marking hole centers

The required door mounted brackets (WLRBRDKIT) are not part of the WLRBRDTEMPL and must be ordered separately, 1 kit per door.

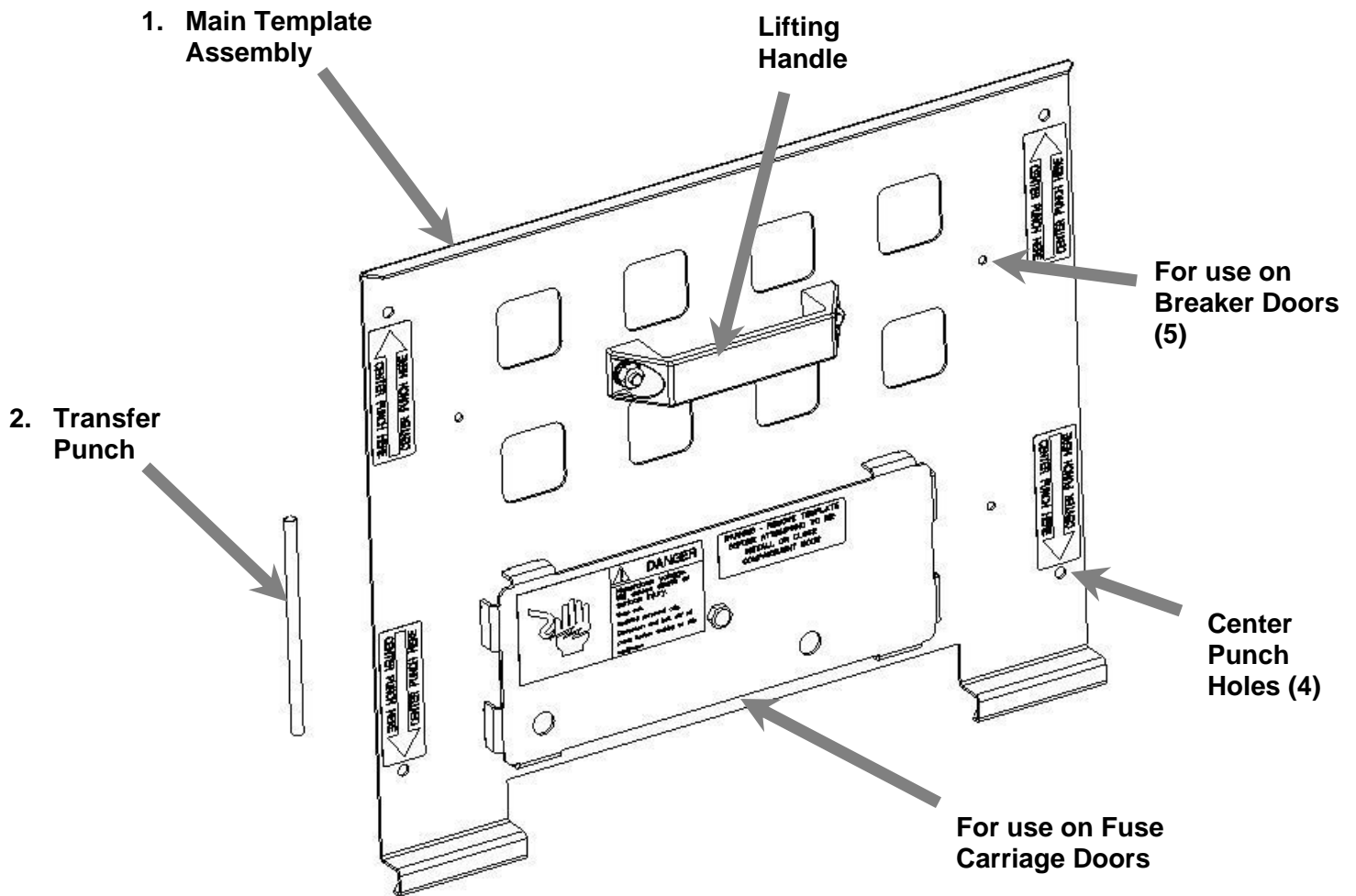


Figure 1.1: Door Bracket Field Installation Template for the Remote Breaker Racking Device

Breaker Door Instructions



Danger

Work should be performed on the equipment only after power has been disconnected and electrically isolated so that no accidental contact can be made with energized parts.

Introduction

This chapter provides directions explaining the steps required to use the Door Bracket Field Installation Template on WL Breaker Doors.

It is recommended to remove the doors from the Switchgear to perform the center punching and drilling operations. Follow safety related work practices as described in NFPA 70E at all times. See the WL Circuit Breaker Operating Instructions, Catalog # WLOPMAN1 or WLULOPMAN1.

1. Align template to (5) plastic studs (Items A) of the Breaker Trim Ring on rear side of Breaker Door. See Fig 2.1

Warning: Do not close door with template installed.

2. Magnetic strips on front side of template will hold it in place.

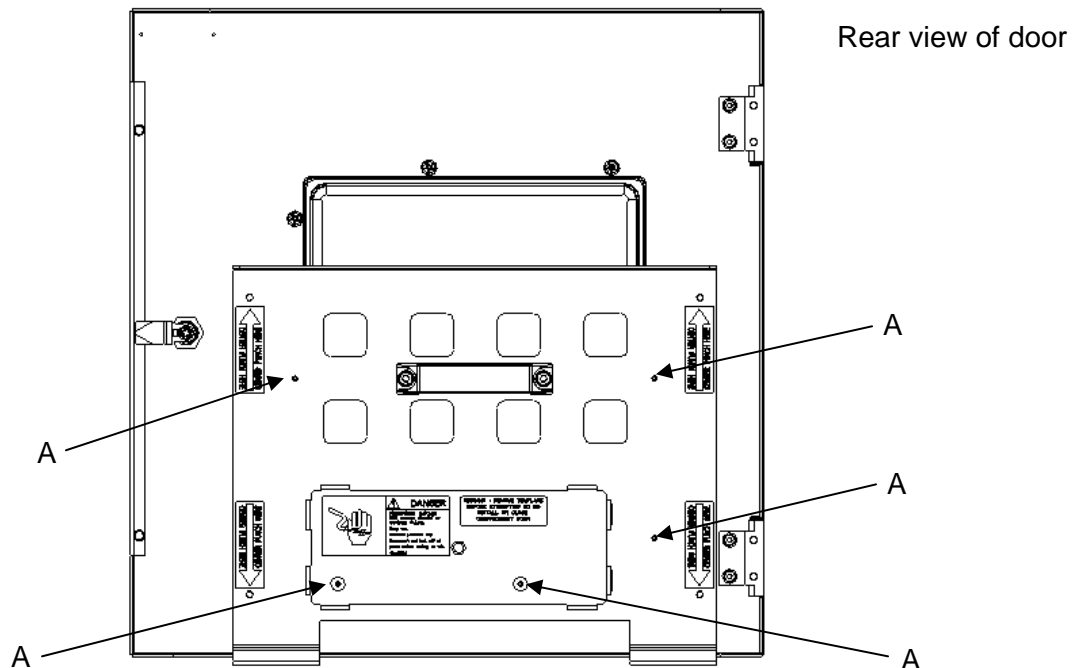


Fig. 2.1 Template on Breaker Door

Siemens Door Bracket Field Installation Template for the Remote Breaker Racking Device User Guide

- Using the transfer punch provided with the template, center punch the four hole locations. See Fig 2.2, item B.

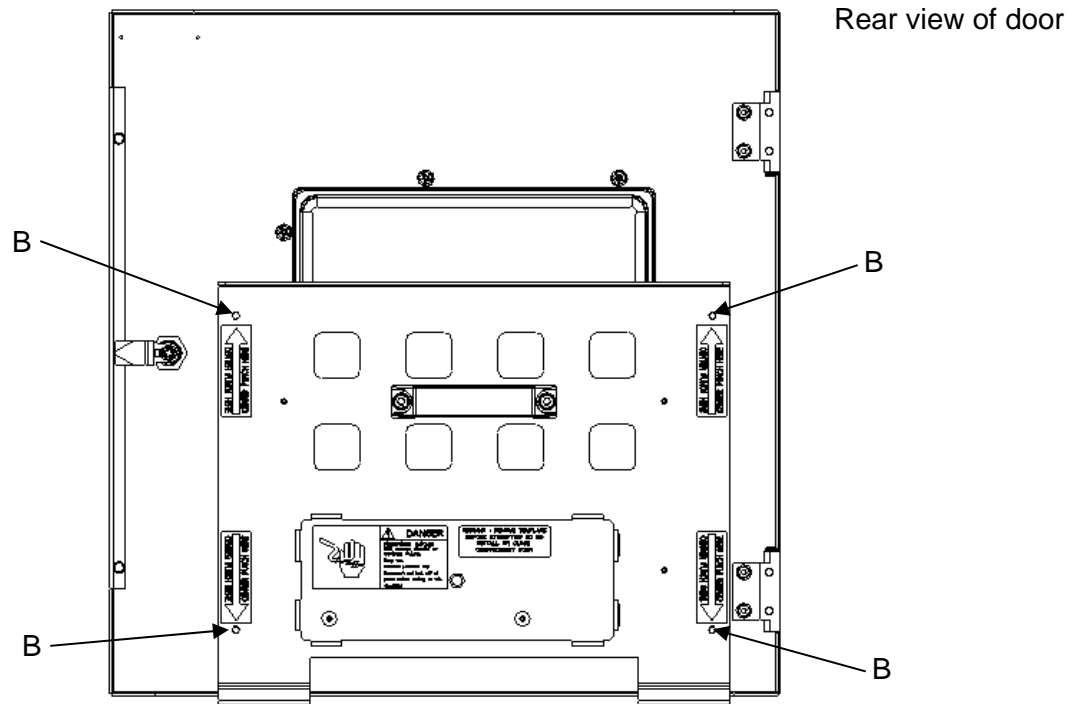


Fig. 2.2 Center Punch locations

- Remove template. This is not a drill guide.

**Siemens Door Bracket Field Installation Template for the Remote Breaker Racking Device
User Guide**

5. Drill (4) 7/32" [0.218"] diameter holes. See Fig 2.3, item C.

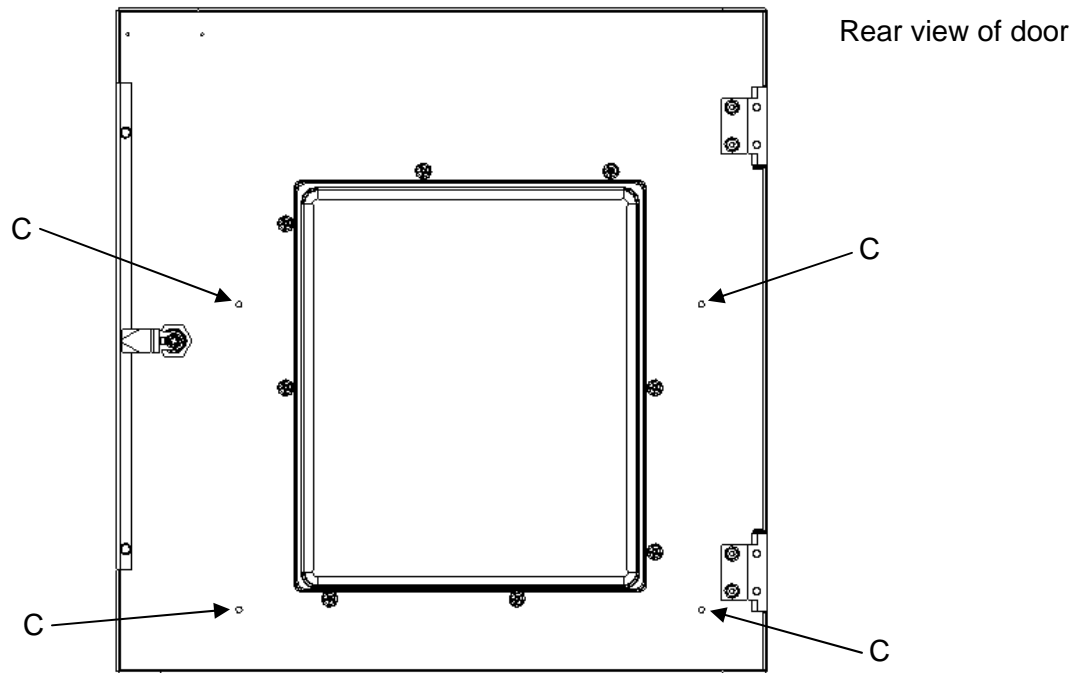


Fig. 2.3 Drill (4) 7/32" holes

6. Assemble Door Brackets (WLRBRDKIT) as shown in Fig 2.4 with angled slots pointing up and close to plastic sealing ring. Securely tighten the 4 lock nuts.

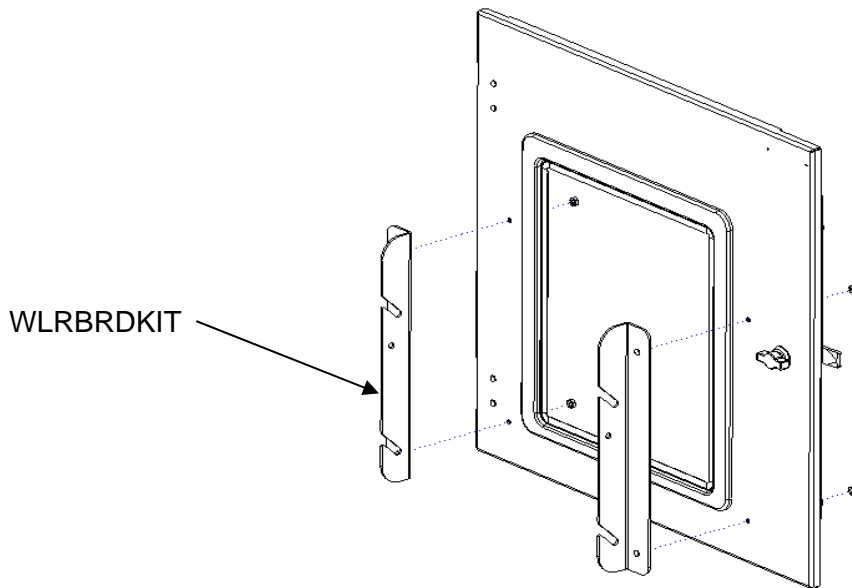


Fig. 2.4 Door Bracket Assembly

7. Reassemble Breaker Door To Switchgear.

Chapter

3 Fuse Carriage Door Instructions



Danger

Work should be performed on the equipment only after power has been disconnected and electrically isolated so that no accidental contact can be made with energized parts.

Introduction

This chapter provides directions explaining the steps required to use the Door Bracket Field Installation Template on WL Fuse Carriage Doors.



It is recommended to remove the doors from the Switchgear to perform the center punching and drilling operations. Follow safety related work practices as described in NFPA 70E at all times. See the WL Circuit Breaker Operating Instructions, Catalog # WLOPMAN1 or WLULOPMAN1.

1. Remove Fuse Carriage Alignment Bracket from rear of template by loosening wing nut. See Fig 3.1

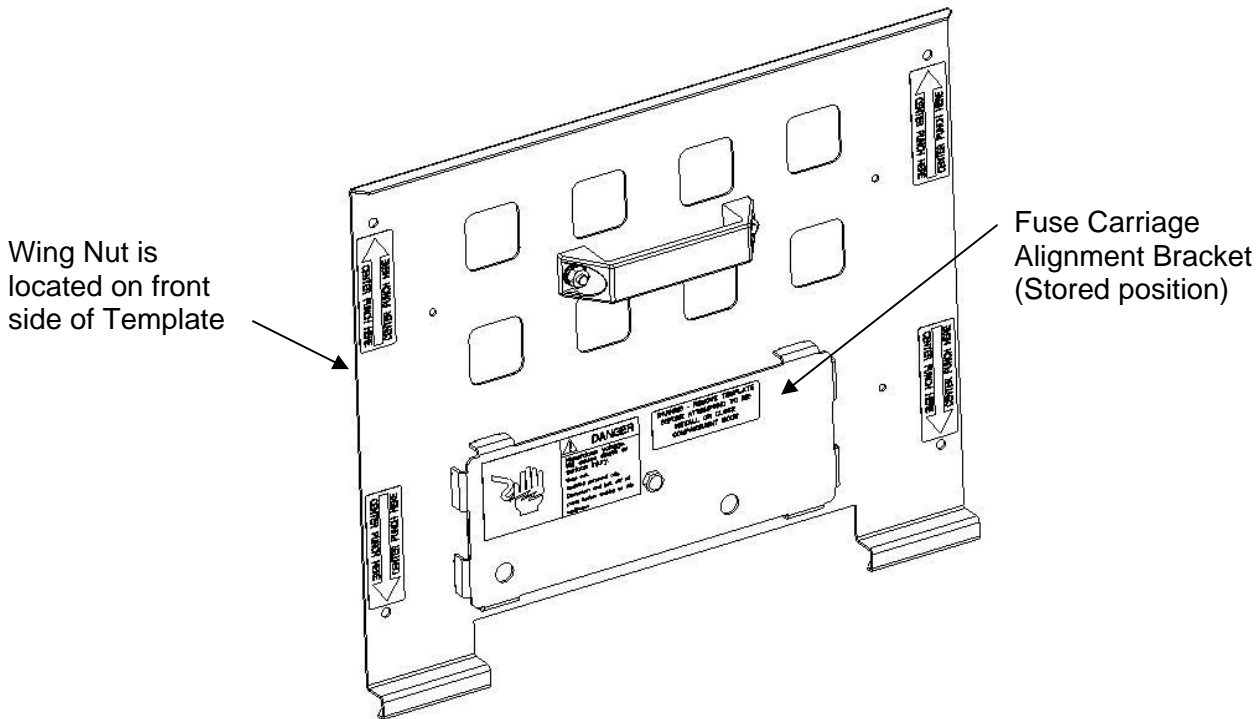


Fig. 3.1 Fuse Carriage Alignment Bracket (in the stored position)

Siemens Door Bracket Field Installation Template for the Remote Breaker Racking Device User Guide

2. Reassemble the Fuse Carriage alignment bracket to front side of template and retighten wing nut. Be sure that all 8 tabs are properly seated in the slots. See Fig 3.2.

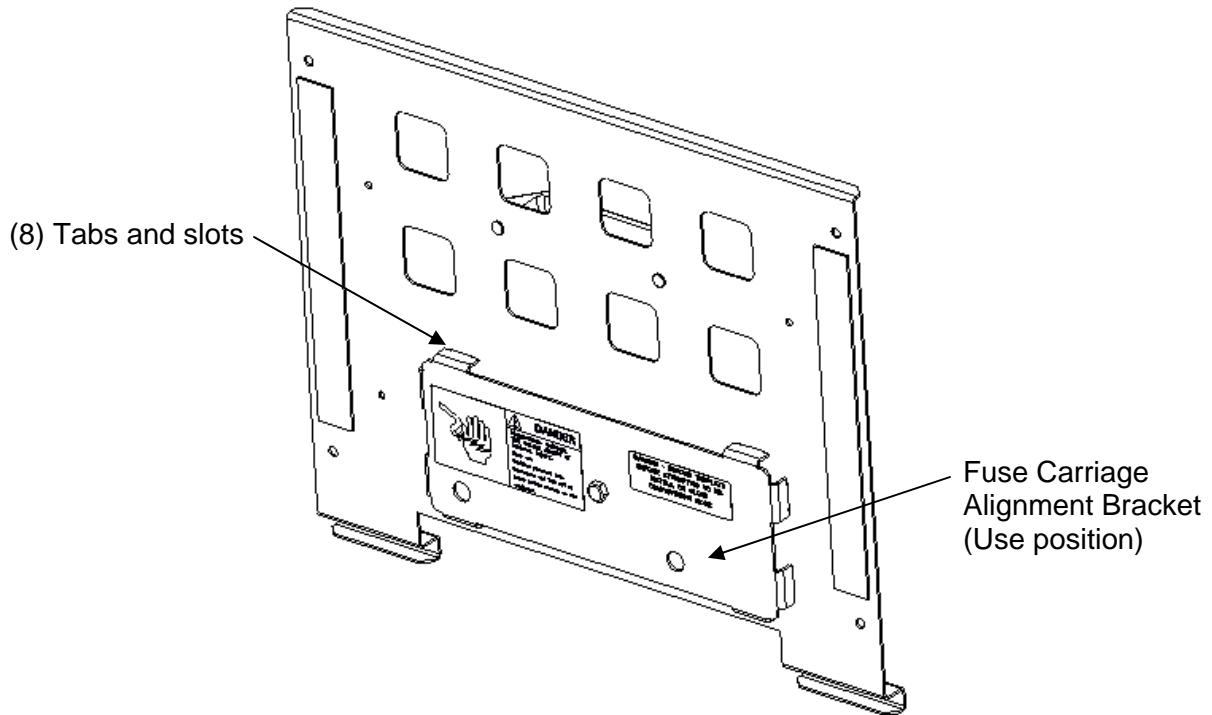


Fig. 3.2 Fuse Carriage Bracket (Use position)

3. From rear side of door, align and fully insert Fuse Carriage Alignment Bracket through cutout in door. See Fig 3.3.

Warning: Do not close door with template installed.

4. Magnetic strips on front side of template will hold it in place.

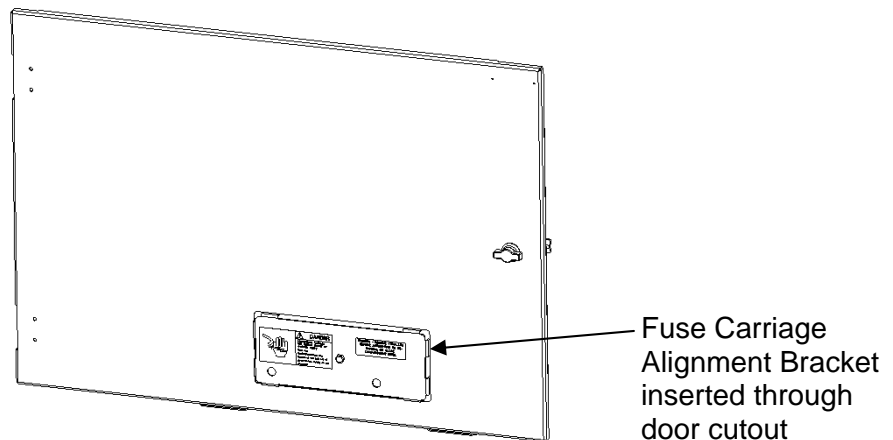


Fig. 3.3 Fuse Carriage Door

Siemens Door Bracket Field Installation Template for the Remote Breaker Racking Device User Guide

- Using the transfer punch provided with the template, center punch the four hole locations. See Fig 3.4, item A.

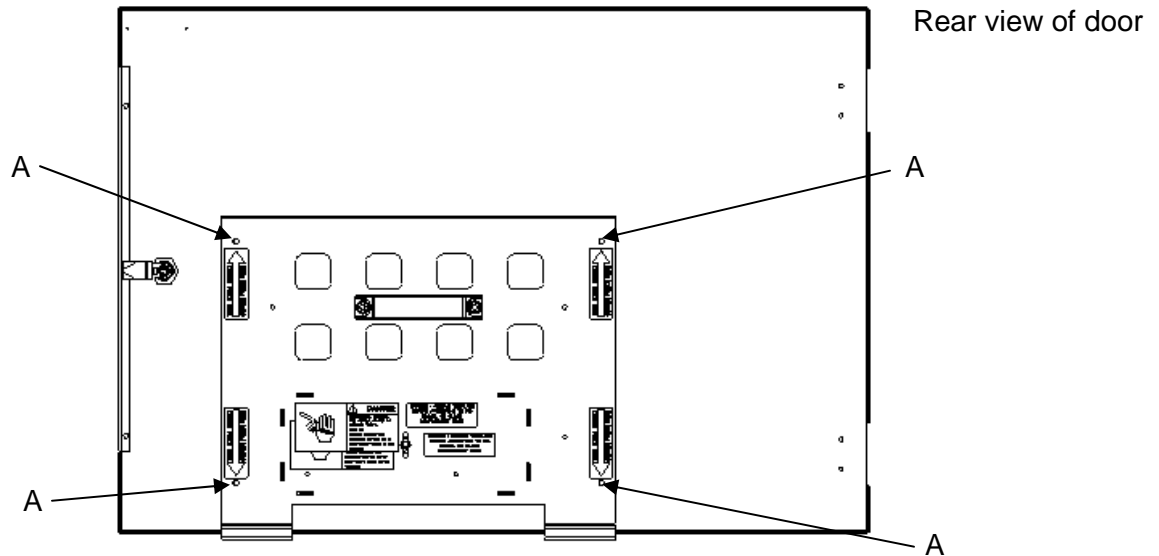


Fig. 3.4 Center Punch locations

- Remove template. This is not a drill guide.
- Drill (4) 7/32" [0.218"] diameter holes. See Fig 3.5, item B.

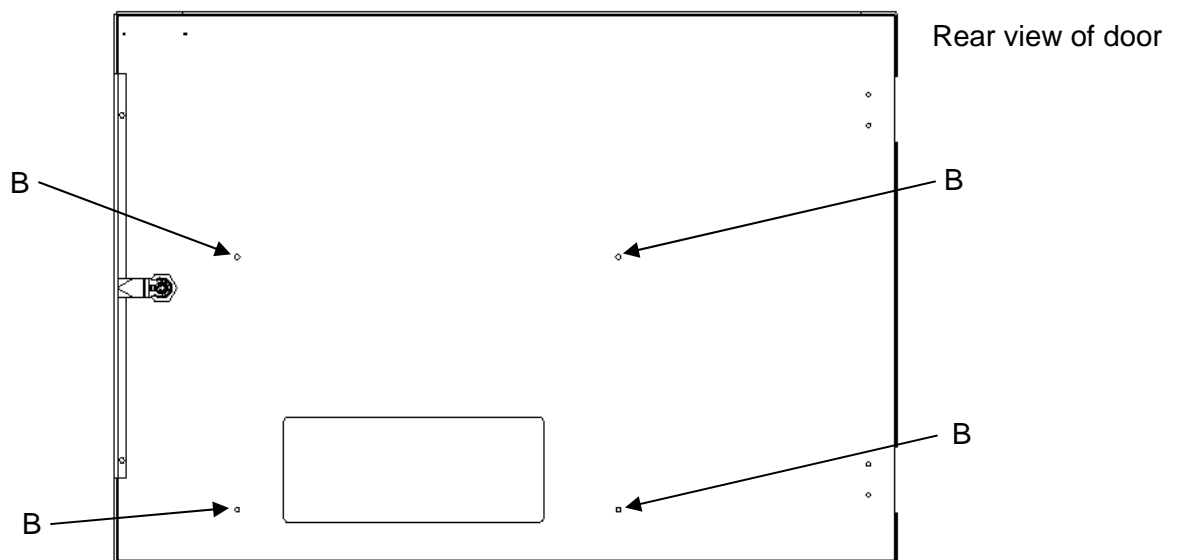


Fig. 3.5 Drill (4) 7/32" holes

8. Assemble Door Brackets (WLRBRDKIT) as shown in Fig 3.6 with angled slots pointing up and close to opening in door.

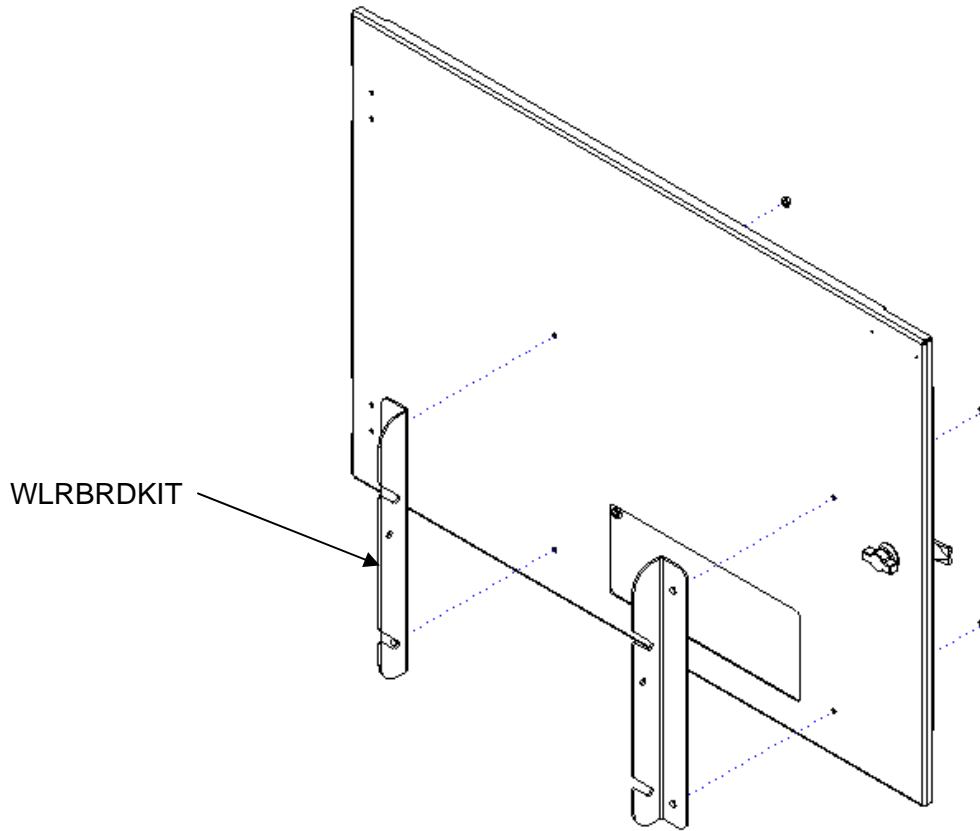


Fig. 3.6 Door Bracket Assembly

9. Reassemble Fuse Carriage Door To Switchgear.

Appendix

A Troubleshooting

For troubleshooting the Door Bracket Field Installation Template for the Remote Breaker Racking Device, please contact Siemens Industry, Inc. Technical Support at 1.800.241.4453

Appendix

B **Related Catalog Numbers / Spare Parts**

Related Catalog Numbers

Door Bracket Field Installation Template, Catalog # WLRBRDTEMPL

Door Bracket Kit, Catalog # WLRBRDKIT

Remote Breaker Racking Device (Main Unit), Catalog # WLRBRD

Spare Parts

See Appendix C, Customer Service Support Information regarding spare parts.

Appendix

C Customer Service Support Info

Siemens Industry, Inc.
Building Technologies Division
5400 Triangle Parkway
Norcross, GA 30092

For Technical Support:

Call us at 1.800.241.4453 or Visit
www.usa.siemens.com/powerdistribution

For Nearest Sales Office:

Call us at 1.800.964.4114 or Visit
www.sea.siemens.com/sales/salesoffices.html