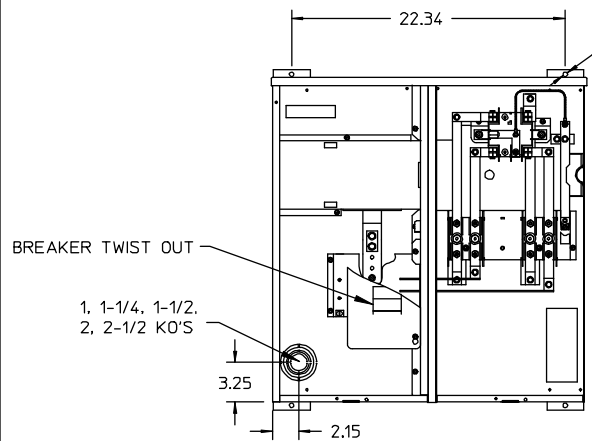
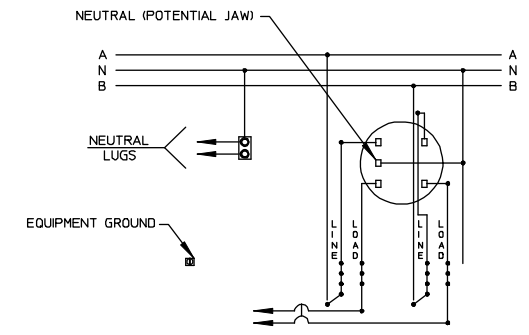
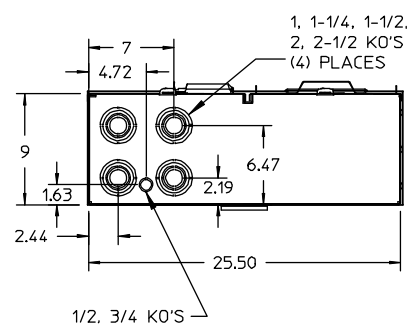
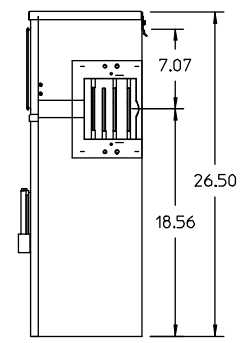
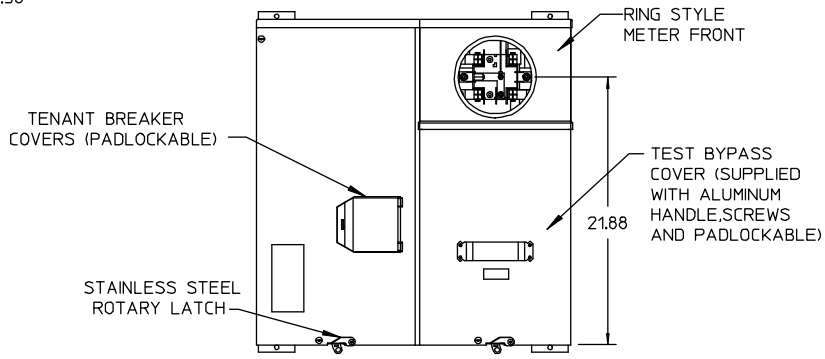


METER SOCKET COVER	# OF JAWS	BYPASS	208Y/120 1Ø, 3 WIRE OR 240/120 DELTA 1Ø, 3 WIRE								BRANCH LUG WIRE SIZES (AWG-KCML)		
			MAIN BUS RATING	BRANCH RATING	NO. OF POSITIONS	CATALOG NUMBER	DIMENSION 'A'	DIMENSION 'B'	DIMENSION 'C'	BREAKER STYLE	PHASE	NEUTRAL & SERVICE GROUND	EQUIPMENT GROUNDING
RING	5	TEST BLOCK	1200	225A	1	W1MM1225USS	26.50"	18.56"	7.07"	PLUG-IN	SEE CIRCUIT BREAKER WIRE SIZE	#6 - 250	#12-1/0 AWG



FRONT VIEW WITH COVERS REMOVED



- NOTES:
1. FINISH: ANSI 61 GRAY BAKED POWDER COAT PAINT OVER G-90 GALVANIZED, PHOSPHATIZED STEEL
 2. SUITABLE FOR USE AS SERVICE EQUIPMENT
 3. SHORT CIRCUIT CURRENT RATING OF METER CENTER IS EQUAL TO THE RATING OF THE LOWEST INSTALLED TENANT SERVICE DISCONNECT.
 4. EACH ENCLOSURE SUPPLIED WITH SINGLE BOLT JOINT AND STUDS FOR "GANGING".

UNLESS OTHERWISE SPECIFIED DIMENSIONS ARE IN INCHES		-CONFIDENTIAL-PROPERTY OF Siemens Energy & Automation, Inc. Residential Products Division			
TOLERANCES: .XX .XXX		TEST BYPASS UNIT NEMA TYPE 3R ENCLOSURE			
DWN	JGB	DATE	1/3/2006	SIZE	B
CHK		DATE		ISSUE RELEASE NO.	
APVD		DATE		DWG NO.	W1MM1225USS
		SCALE		DO NOT SCALE DRAWING	
		SHEET		1 OF 1	