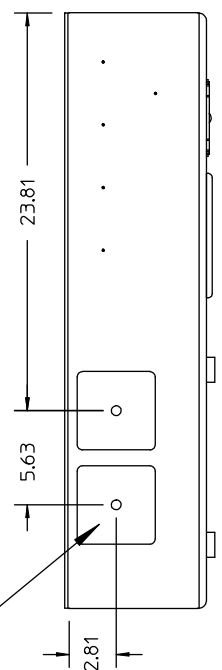


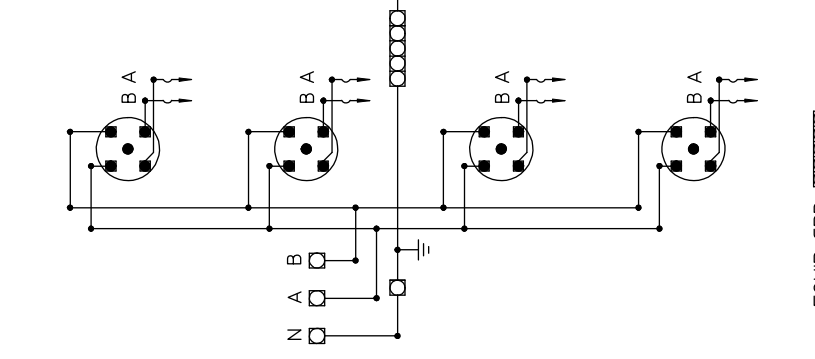
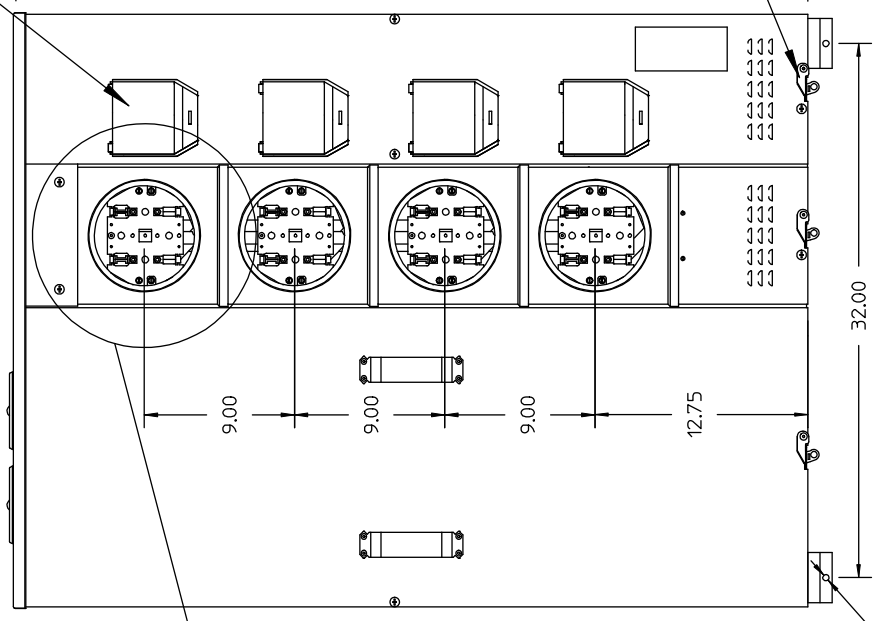
IF HUB IS REQUIRED THE CATALOG NOS. LISTED BELOW MAY BE USED

3".....S56856-2  
 3-1/2".....S56857-2  
 4".....S56858-2  
 Cover Plate.....S56933

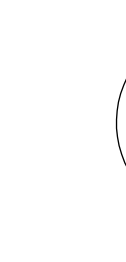
REMOVABLE HUB PLATE COVERING GASKETLESS HD TYPE HUB OPENING (INTERIOR RETAINING CHANNEL TYPE FOR MAX 4" CONDUIT)  
 (2) PLACES



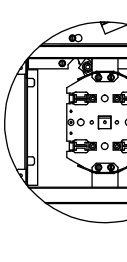
TENANT BREAKER COVERS (PADLOCKABLE)



SEE NOTE #6



SP6412 METER POSITION



SP6412RJ METER POSITION

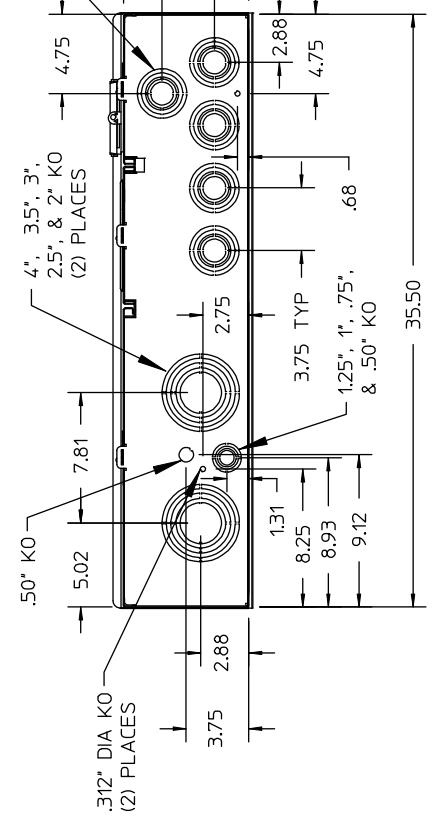
5TH TERMINAL SUPPLIED UNASSEMBLED

FRONT VIEW WITH COVERS REMOVED

2.5", 2", 1.5", 1.25", & 1" KO'S (5) PLACES

BOLTED MAIN CONNECTION

2.5", 2", 1.5", 1.25", & 1" KO'S (5) PLACES



- NOTES:
1. FINISH: ANSI 61 GRAY BAKED POWDER COAT PAINT OVER G-90 GALVANIZED, PHOSPHATIZED STEEL
  2. UL LISTED - FILE E10703
  3. SUITABLE ONLY FOR USE AS SERVICE EQUIPMENT
  4. SHORT CIRCUIT CURRENT RATING OF METER CENTER IS EQUAL TO THE RATING OF THE LOWEST INSTALLED TENANT SERVICE DISCONNECT.
  5. MAIN CONNECTION POINTS RIGIDLY BOLTED WITH BOLT THAT HAS A MINIMUM MAJOR DIAMETER EQUAL TO OR GREATER THAN BUS THICKNESS WITH A CONICAL/SRING WASHER AND HEX NUT.
  6. ON "RJ" SUFFIX ENCLOSURES IDENTIFICATION LABEL AND INSTALLATION LABEL FOR INSTALLING 5TH TERMINAL ATTACHED AT THESE LOCATIONS.

UNLESS OTHERWISE SPECIFIED DIMENSIONS ARE IN INCHES

TOLERANCES:  
 XX  
 XXX  
 HOLE DIAMETER  
 ANGULAR  
 UNDIMENSIONED 90° ANGLES

DWN	BDD	DATE	4/09/2007
CHK		DATE	
APVD		DATE	

METER SOCKET COVER	NO. OF JAWS	FACTORY INSTALLED BYPASS	MAIN BUS RATING	BRANCH RATING	NO. OF POSITIONS	CATALOG NUMBER	SEMI-FLUSH MOUNTING KIT NO.	208Y/240VAC, 1Ø 3 WIRE OR 120/240VAC, 1Ø 3 WIRE (5TH JAW REQUIRED)		BRANCH LUG WIRE SIZES (AWG-KCMIL)	
								NO. OF POSITIONS	NO. OF POSITIONS	PHASE AND NEUTRAL (AWG/KCMIL)	NEUTRAL & SERVICE GROUND
RING-TYPE	4	NONE	600A	200A	4	SP6412		(2) #2 - 600 CU-AL	SEE CIRCUIT BREAKER WIRE SIZE	#6 - 250	#12 - 2/0
RINGLESS	5	NONE	600A	200A	4	SP6412RJ	MUSP642FK	MUNSK600			

-CONFIDENTIAL-PROPERTY OF  
 Siemens Energy & Automation, Inc.  
 Residential Products Division

UNI-PAK/ALL-IN-ONE METERING EQUIPMENT  
 NEMA TYPE 3R ENCLOSURE  
 600A MAXIMUM TENANT CIRCUIT BREAKERS

SIZE	ISSUE RELEASE NO.	DWG NO.	SP6412X	REV
B				
SCALE	DO NOT SCALE DRAWING	SHEET	1 OF 1	