

Terminal Blocks

8WA1 Terminals with Screw Connection

Fuse terminals

Overview

8WA1 011–1SF12 fuse terminals are used to protect control circuits from short circuit.

The fuse terminals are intended for G fuse links 5 mm × 20 mm and 5 mm × 25 mm up to 6.3 A and 250 V and for bridging links up to 16 A and 500 V, and

have a mounting for a replacement fuse link.

Fuse terminals are positive opening fuse-disconnectors.

The fuse links must be replaced at zero voltage. Finger protection is provided in both closed and open positions.

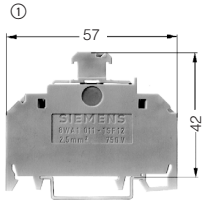

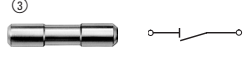


The double connection is designed so that two conductors with different cross-sections can also be securely clamped.

The fixing base of the terminal allows both centered and recessed mounting, allowing

the unhindered routing of a 6 mm × 6 mm N conductor busbar. The fuse terminal can therefore be joined into a single group with the other terminals of a branch.

Selection and ordering data

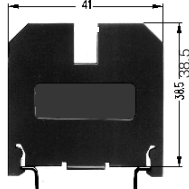
With insulating body of moulded thermoplastic · Screw connections on both sides, for two conductors

Dimensions ¹⁾	IEC ratings uninterrupted current IEC ratings insulation voltage	UL ratings current / voltage	Description	Design	Fig. No.	Order No.	Price
	6.3 A ¹⁾ 16 A ²⁾ 250 V ¹⁾ , 500 V ²⁾ Open insulating gap 500 V	7 A 600 V	Fuse terminal		①	8WA1 011–1SF12	
Terminal size 1.5 · Assembly width 10 mm UL AWG 18-14 CE AWG 18-14							
	1 A 1.6 A 2.5 A 4 A 6.3 A 250 V		G fuse links (5 mm × 20 mm)	IEC 60 127-2, DIN VDE 0820 Part 22, quick-response, large breaking capacity: 1.5 kA	②	8WA1 822–7EF16 8WA1 822–7EF18 8WA1 822–7EF21 8WA1 822–7EF23 8WA1 822–7EF25	
	1 A 1.6 A 2.5 A 4 A 6.3 A 250 V		G fuse links (5 mm × 20 mm)	IEC 60 127-2, DIN VDE 0820 Part 22, time-lag, small breaking capacity: 35 A at I _n ≤ 2.5 A 10 × I _n at I _n > 2.5 A	②	8WA1 822–7EF76 8WA1 822–7EF78 8WA1 822–7EF81 8WA1 822–7EF83 8WA1 822–7EF85	
	16 A		Bridging link (5 mm × 25 mm)		③	8WA1 891	
	65 A		Link rails	l = 104 mm, 10 connections l = 206 mm, 21 connections	④ ⑤	8WA1 822–7VD05 8WA1 822–7VD08	

Through-type terminals with plug connection

With insulating body of molded thermoplastic · Screw connections on both sides, for two conductors each

Terminal size 6 · Assembly width 8 mm

	16 A per connection point 400 V	24 A 600 V	Through-type terminal with plug connection	beige	⑥	8WA1 232	
	when using barriers up to 800 V		4 tab connections 6.3–0.8 ³⁾				
			Barrier	width 1 mm	⑦	8WA1 821	
	24 A		Links	for 2 terminals	⑧	8WA1 822–7VH12	
				for 10 terminals	⑨	8WA1 822–7VH20	
			Cover	with warning arrow	⑩	8WA1 811	
				white, for inscription	⑪	8WA1 862	

Labelling accessories see page 15/40 -43.

1) When using fuses.

2) When using the bridging link.

3) At voltages above 400 up to 800 V, fully insulated tab receptacles have to be used.

4) 25.4 mm = 1.00 inch.