

Enclosed Rotary Switch Product Specification Sheets

Table of Contents

Catalog No.	Sheet No.	Catalog No.	Sheet No.
HNF3020CJ	LBR20.1	3LD2264-0TB53-0US2	3LD2.1
HNF3020CJE	LBR20.1	3LD2264-1GP51-0US2	3LD2.1
HNF3030CJ	LBR30.1	3LD2264-1GP53-0US2	3LD2.1
HNF3030CJE	LBR30.1	3LD2264-1TS51-0US2	3LD2.1
HNF3030CX	LBR30.2	3LD2264-1TS53-0US2	3LD2.1
HNF3060CJ	LBR30.1	3LD2264-2TW51-0US2	3LD2.1
HNF3060CJE	LBR30.1	3LD2264-2TW53-0US2	3LD2.1
HNF3060CX	LBR30.2	3LD2565-0TB51-0US2	3LD2.2
HNF3100CJ	LBR30.1	3LD2565-0TB53-0US2	3LD2.2
HNF3100CJE	LBR30.1	3LD2565-1GP51-0US2	3LD2.2
HNF3100CX	LBR30.2	3LD2565-1GP53-0US2	3LD2.2
3LD2064-0TB51-0US2	3LD2.1	3LD2766-0TB51-0US2	3LD2.3
3LD2064-0TB53-0US2	3LD2.1	3LD2766-0TB53-0US2	3LD2.3
3LD2064-1GP51-0US2	3LD2.1	3LD2766-1GP51-0US2	3LD2.3
3LD2064-1GP53-0US2	3LD2.1	3LD2766-1GP53-0US2	3LD2.3
3LD2164-0TB51-0US2	3LD2.1	3LD2866-0TB51-0US2	3LD2.3
3LD2164-0TB53-0US2	3LD2.1	3LD2866-0TB53-0US2	3LD2.3
3LD2164-1GP51-0US2	3LD2.1	3LD2866-1GP51-0US2	3LD2.3
3LD2164-1GP53-0US2	3LD2.1	3LD2866-1GP53-0US2	3LD2.3
3LD2264-0TB51-0US2	3LD2.1		

You can extract pages from this pdf document using the following steps:

1. Find the catalog number of the switch required in the index and click on the sheet required.
2. From the top of the screen, click on **Document, Pages**, then **Extract**.
3. An Extract Pages pop-up block will appear. Select the pages required and click OK. (**From** will be the front pages, so make **To** the next page number).
4. Click on **File** at the top of the screen and then **Save As**.
5. Save on your desktop or in another file and rename the document so that you can find it again in the future.
6. Close file. If a pop-up box comes up asking if you want to save changes, select **NO**.

Siemens Energy & Automation, Inc.
3333 Old Milton Parkway
Alpharetta, GA 30005

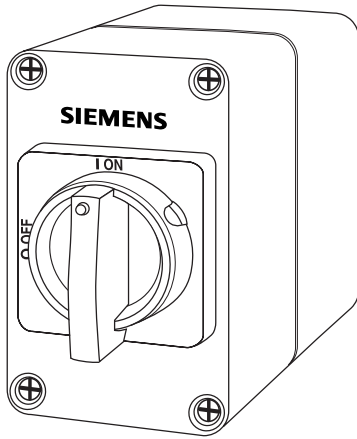
1-800-964-4114
info.sea@siemens.com

www.sea.siemens.com/power

Order No. SSSS-ENRSW-1008

©2008 Siemens Energy & Automation, Inc.
All Rights Reserved.

Siemens is a registered trademark of Siemens AG.
Product names mentioned may be trademarks or
registered trademarks of their respective companies.
Specifications are subject to change without notice.



Enclosed Rotary Disconnect Switch

20 Amp, Type 12 Industrial and 4/4X Non-metallic Enclosures

Standards and Ratings

- UL and CUL listed under file #E191706
- Meets UL508 for manual motor controllers
- Listed and marked "suitable as motor disconnect"
- Fiberglass reinforced polycarbonate enclosure which is UL and CUL approved as Type 12, 4 and 4X for either indoor or outdoor use ²
- Rated 10,000 AIC at 480V AC max when protected by line side 30A max Class H, K or RK5 fuses
- IEC60947-3 rated and CE marked (Ith 32A)

Rating Ue/V	415V	500V	690V
AC22A Ie/A	32	32	32
AC23A Ie/A	32	32	20

Rated for 32A gG fuse and a prospective current of 50K Arms. Enclosures rated IP65.

Features

- Compact, front-mounted design saves space and is easy to mount and wire
- Suitable for use as a group disconnect
- Enclosure can be easily drilled or punched for conduits
- General use, resistance load and ballast lamp ratings of 20A or 100% at 480V AC max

General Information

Catalog Number	Max AC Volts	Description	Shipping Weight (lbs.)
Non-Fusible, Type 12 ^{1 2} with Screw Cover and Rotary Handle			
HNF3020CJ	480	3-Pole with Black Handle	1 lb.
HNF3020CJE	480	3 Pole with Red & Yellow Handle	1 lb.

Horsepower Ratings

Catalog Number	120V AC	240V AC		480V AC	
	1 Phase	1 Phase	3 Phase	1 Phase	3 Phase
HNF3020CJ	3/4	2	5	5	10
HNF3020CJE	3/4	2	5	5	10

Replacement Parts

Catalog Number	Description
LBR3025D	Replacement Switch
LBRH3	Replacement Black Handle
LBRH4	Replacement Red & Yellow Handle

Mechanical Lug Wire Range 60/75°C Copper Only

#14 - #10 AWG

¹ Also rated Type 4/4X and UL and CUL approved for both indoor and outdoor use.

² Also UL approved and marked as Type 13.

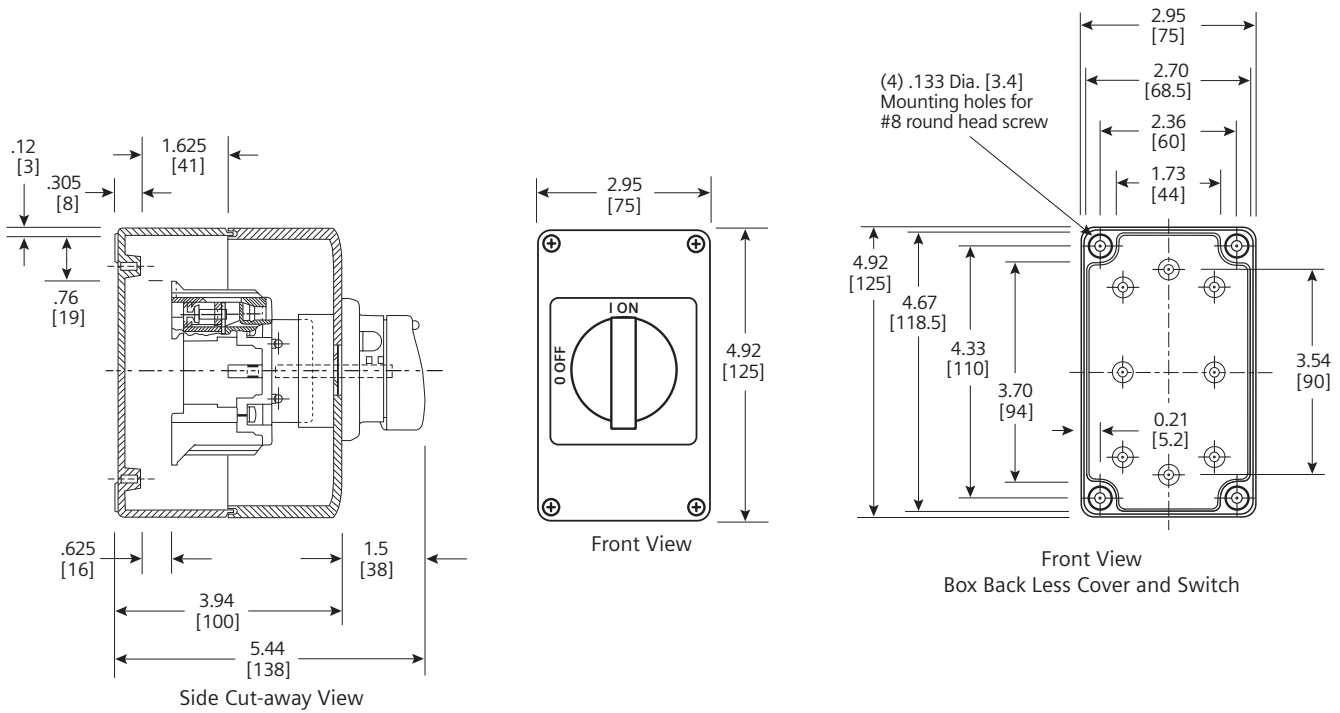
Product Specification Sheet LBR20.1

Answers for industry.

SIEMENS

Product Specification Sheet #LBR20.1 (page 2 of 2)

Dimension Drawing



Note: Conduit entry/exit is recommended in top and bottom box surfaces only.
 No knockouts in enclosure.
 Dimensions shown in inches and millimeters [].
 Dimension shown accurate to $\pm \frac{1}{8}$ inch.

Enclosure Finish - Light Gray

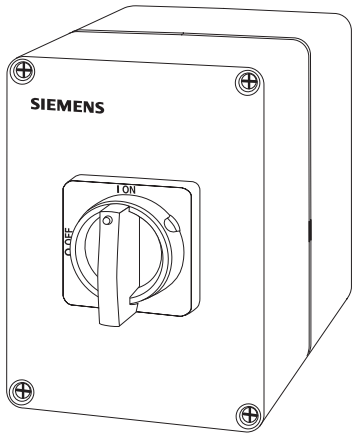
Siemens Energy & Automation, Inc.
 3333 Old Milton Parkway
 Alpharetta, GA 30005

1-800-964-4114
 info.sea@siemens.com

www.sea.siemens.com/power

©2008 Siemens Energy & Automation, Inc.
 All Rights Reserved.

Siemens is a registered trademark of Siemens AG.
 Product names mentioned may be trademarks or
 registered trademarks of their respective companies.
 Specifications are subject to change without notice.



Enclosed Rotary Disconnect Switch

30 - 100 Amp, Type 12 Industrial and 4/4X Non-metallic Enclosures

Standards and Ratings

- UL and CUL listed under file #E191706
- Meets UL508 for manual motor controllers
- Listed and marked "suitable as motor disconnect"
- Fiberglass reinforced polycarbonate enclosure which is UL and CUL approved as Type 12, 4 and 4X for either indoor or outdoor use ²
- Rated up to 18kA at 480V max with proper line side fusing (see table on page 2)
- IEC60947-3 rated and CE marked

- Suitable for use as a group disconnect
- Enclosure can be easily drilled or punched for conduits
- Ballast lamp (high inductive) rated at 480V max
- Optional auxiliary contact and ground lug kits are easily field installed

Rating Ue/V	415V	500V	690V
30A (lth 40A)			
AC22A Ie/A	40	40	40
AC23A Ie/A	25	25	25
60A (lth 80A)			
AC22A Ie/A	80	80	80
AC23A Ie/A	63	45	40
100A (lth 100A)			
AC22A Ie/A	100	100	80
AC23A Ie/A	63	45	40

Enclosures rated IP65

Features

- Compact design saves space while providing ample wiring gutters

General Information

Ampere Rating	Catalog Number	Max AC Volts	Description	Shipping Weight (lbs.)
Non-Fusible, Type 12 ^{1 2} with Screw Cover and Rotary Handle				
30	HNF3030CJ	600		2
60	HNF3060CJ	600	3-Pole with Black Handle	4
100	HNF3100CJ	480		5
30	HNF3030CJE	600		2
60	HNF3060CJE	600	3-Pole with Red & Yellow Handle	4
100	HNF3100CJE	480		5

Horsepower Ratings

Catalog Number	120V AC 1 Phase	240V AC 1 Phase	3 Phase	480V AC 1 Phase	3 Phase	600V AC 3 Phase
HNF3030CJ HNF3030CJE	2	3	7½	7½	15	20
HNF3060CJ HNF3060CJE	3	10	15	20	40	50
HNF3100CJ HNF3100CJE	5	15	25	30	50	—

Accessories

Catalog Number	Description
GSGK60	30-100A Ground Lug Kit ³
LBRA1	30A Auxiliary Contact Kit (1 NO - 1 NC)
LBRA2	60-100A Auxiliary Contact Kit (1 NO - 1 NC)

Replacement Parts

Catalog Number	Description
LBR3040	30A Replacement Switch
LBR3080	60A Replacement Switch
LBR3100	100A Replacement Switch
LBRH3	Replacement Black Handle
LBRH4	Replacement Red & Yellow Handle

¹ Also rated Type 4/4X and UL approved for both indoor and outdoor use.

² 30-100A switches are also UL approved and marked as Type 13. 60 and 100A switches are also CUL approved as Type 13.

³ Ground lug kit has two lugs for #14-4 Cu/Al wire.

Product Specification Sheet LBR30.1

Answers for industry.

SIEMENS

Product Specification Sheet #LBR30.1 (page 2 of 2)

Mechanical Lug Wire Ranges 60/75°C Copper Only

Description	Wire Range
30 Amps	(1) #14 - #10 AWG Solid
	(1) #14 - #10 AWG Solid
	(1) #14 - #4 AWG Stranded
	Up to (4) #12 AWG Solid
	Up to (3) #12 AWG Stranded
60 & 100 Amps	Up to (6) #14 AWG Stranded
	Up to (4) #14 AWG Stranded with (1) #10 AWG Stranded
	(1) #14 - #10 AWG Solid
	(1) #14 - #1 AWG Stranded
	(2) #6 AWG Stranded
	Up to (3) #8 AWG Stranded
	Up to (6) #10 AWG Stranded
	Up to (6) #12 AWG Solid

IEC Fuse and Withstand Ratings

Ampere Rating	gG Fuse Size	Short Circuit Rating
30	63A	10k Arms
60	100A	10k Arms
100	100A	10k Arms

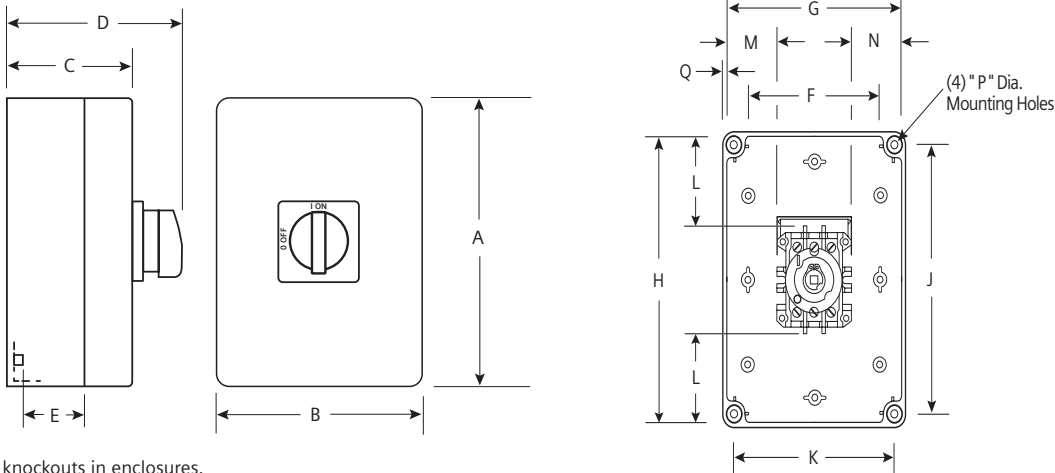
Note: Approved conduit entry/exit surfaces 30 and 100A – Top, bottom, back and all sides 60A – Top, bottom and all sides

UL and CUL Short Circuit Withstand Ratings

Amp Rating	Short Circuit Withstand Rating and Fuse Class				
	With Line Side Fusing			With Load Side Fusing ¹	
	10 kA at 480V Max	18 kA at 480V Max	10 kA at 600V Max	5 kA at 480V Max	18 kA at 480V Max
30	H, K & RK5 (100A Max)	J, T & CC (100A Max)	H, K & RK5 (100A Max)	H, K & RK5 (30A Max)	Ferraz Shawmut A50P or lower let-through semiconductor fuses (60A Max)
60	H, K & RK5 (150A Max)		H, K & RK5 (150A Max)	H, K & RK5 (60A Max)	Ferraz Shawmut A50P or lower let-through semiconductor fuses (100A Max)
100					

¹ For use as supplemental protection on the load side of the branch circuit over current protective device.

Dimension Drawing



No knockouts in enclosures.
Dimensions shown in inches and millimeters ().
Dimension shown accurate to $\pm \frac{1}{8}$ inch.

Enclosure Finish - Light Gray

Enclosed / Disconnect Switch Dimensions (inches)

Catalog Number	Dimensions														
	A	B	C	D	E	F	G	H	J	K	L	M	N	P	Q
HNF3030CJ	6.89	4.92	3.94	5.44	1.625	3.54	4.67	6.63	6.30	4.33	2.375	1.312	1.312	.17	.125
HNF3030CJE	6.89	4.92	3.94	5.44	1.625	3.54	4.67	6.63	6.30	4.33	2.375	1.312	1.312	.17	.125
HNF3060CJ	9.46	6.31	4.77	6.27	2.50	4.56	6.06	9.21	8.98	5.12	3.25	.56	2.44	.17	.125
HNF3060CJE	9.46	6.31	4.77	6.27	2.50	4.56	6.06	9.21	8.98	5.12	3.25	.56	2.44	.17	.125
HNF3100CJ	11.77	7.87	5.20	6.70	3.53	4.92	7.40	11.34	11.02	7.09	4.31	4.78	.42	.28	.21
HNF3100CJE	11.77	7.87	5.20	6.70	3.53	4.92	7.40	11.34	11.02	7.09	4.31	4.78	.42	.28	.21

Siemens Energy & Automation, Inc.

3333 Old Milton Parkway
Alpharetta, GA 30005

1-800-964-4114

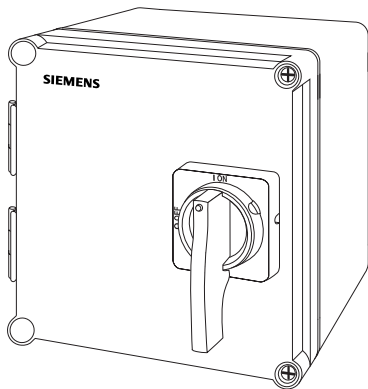
info.sea@siemens.com

www.sea.siemens.com/power

©2008 Siemens Energy & Automation, Inc.

All Rights Reserved.

Siemens is a registered trademark of Siemens AG. Product names mentioned may be trademarks or registered trademarks of their respective companies. Specifications are subject to change without notice.



Enclosed Rotary Disconnect Switch

30 - 100 Amp, Type 4/4X Non-metallic Enclosures

Standards and Ratings

- UL and CUL listed under file #E191706
- Meets UL508 for manual motor controllers
- Listed and marked "suitable as motor disconnect"
- Fiberglass reinforced polycarbonate enclosure which is UL approved as Type 12, 4 and 4X for either indoor or outdoor use
- Rated up to 18kA at 480V max with proper line side fusing (see table on page 2)
- IEC60947-3 rated and CE marked

- Enclosure can be easily drilled or punched for conduits
- Ballast lamp (high inductive) rated at 480V max
- Optional auxiliary contact and ground lug kits are easily field installed
- Pistol grip handle is provided with a defeatable cover interlock to prevent cover from being opened when switch is ON

Features

- Compact design saves space while providing ample wiring gutters
- Suitable for use as a group disconnect

Rating Ue/V	415V	500V	690V
30A (Ith 40A)			
AC22A Ie/A	40	40	40
AC23A Ie/A	25	25	25
60A (Ith 80A)			
AC22A Ie/A	80	80	80
AC23A Ie/A	63	45	40
100A (Ith 100A)			
AC22A Ie/A	100	100	80
AC23A Ie/A	63	45	40

Enclosures rated IP65

General Information

Ampere Rating	Catalog Number	Max AC Volts	Description	Shipping Weight (lbs.)
Non-Fusible, Type 4/4X¹ with Hinged Door				
30	HNF3030CX	600	3-Pole with Black Pistol	4
60	HNF3060CX	600	Grip Handle	4
100	HNF3100CX	480		5

Horsepower Ratings

Catalog Number	120V AC 1 Phase	240V AC 1 Phase	3 Phase	480V AC 1 Phase	3 Phase	600V AC 3 Phase
HNF3030CX	2	3	7½	7½	15	20
HNF3060CX	3	10	15	20	40	50
HNF3100CX	5	15	25	30	50	—

Accessories

Catalog Number	Description
GSGK60	30-100A Ground Lug Kit ²
LBRA1	30A Auxiliary Contact Kit (1 NO – 1 NC)
LBRA2	60-100 Auxiliary Contact Kit (1 NO – 1 NC)

Replacement Parts

Catalog Number	Description
LBR3040	30A Replacement Switch
LBR3080	60A Replacement Switch
LBR3100	100A Replacement Switch
LBRH9	Replacement Black Pistol Grip Handle

¹ Also rated Type 12 and UL approved for both indoor and outdoor use.

² Ground lug kit has two lugs for #14-4 Cu/Al wire.

Product Specification Sheet LBR30.2

Answers for industry.

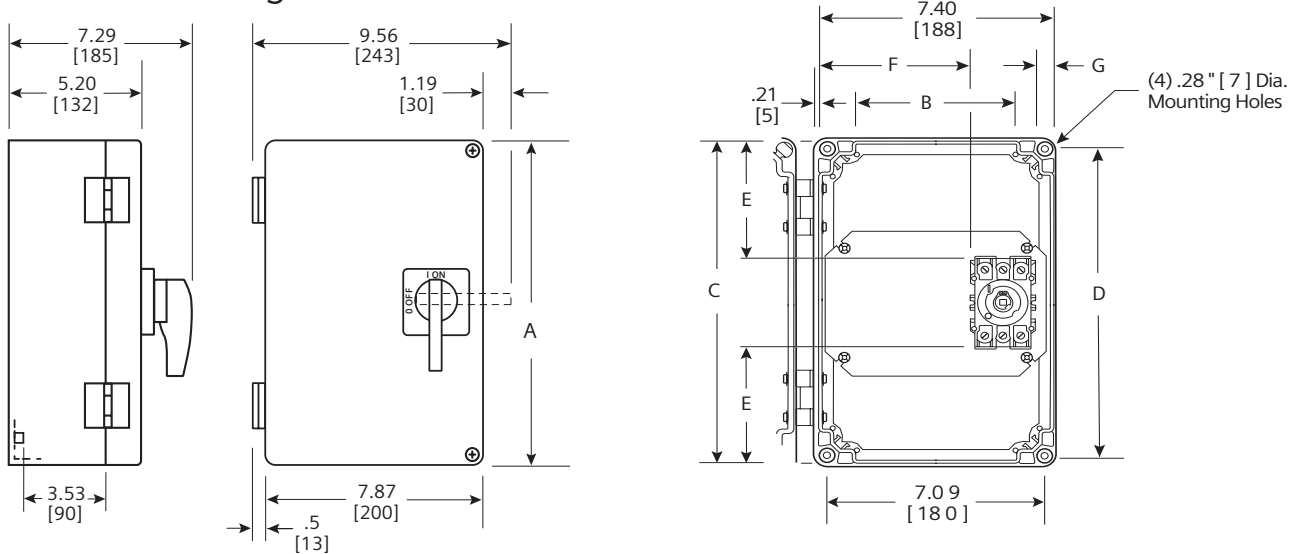
SIEMENS

Product Specification Sheet #LBR30.2 (page 2 of 2)

Mechanical Lug Wire Ranges 60/75°C Copper Only

Description	Wire Range	Description	Wire Range
30 Amps	(1) #14 - #10 AWG Solid (1) #14 - #10 AWG Solid (1) #14 - #4 AWG Stranded Up to (4) #12 AWG Solid UP to (3) #12 AWG Stranded Up to (6) #14 AWG Stranded Up to (4) #14 AWG Stranded with (1) #10 AWG Stranded	60 & 100 Amps	(1) #14 - #10 AWG Solid (1) #14 - #1 AWG Stranded (2) #6 AWG Stranded Up to (3) #8 AWG Stranded Up to (6) #10 AWG Stranded Up to (6) #12 AWG Solid

Dimension Drawing



No knockouts in enclosures.
Dimensions shown in inches and millimeters [].
Dimension shown accurate to $\pm \frac{1}{8}$ inch.

Enclosure Finish - Light Gray

Enclosed/Disconnect Switch Dimensions (inches)

Catalog Number	Dimensions						
	A	B	C	D	E	F	G
HNF3030CX	7.87	4.92	7.44	7.09	2.75	4.90	.50
HNF3060CX	11.77	4.92	11.34	11.02	4.31	4.78	.42
HNF3100CX	11.77	4.92	11.34	11.02	4.31	4.78	.42

IEC Fuse and Withstand Ratings

Ampere Rating	gG Fuse Size	Short Circuit Rating
30	63A	10k Arms
60	100A	10k Arms
100	100A	10k Arms

Note: Approved conduit entry/exit surfaces
60 and 100A - Top, bottom, back and all sides
30A - Top, bottom and all sides

UL and CUL Short Circuit Withstand Ratings

Amp Rating	Short Circuit Withstand Rating and Fuse Class				
	With Line Side Fusing		With Load Side Fusing ¹		
	10 kA at 480V Max	18 kA at 480V Max	10 kA at 600V Max	5 kA at 480V Max	18 kA at 480V Max
30	H, K & RK5 (100A Max)	J, T & CC (100A Max)	H, K & RK5 (100A Max)	H, K & RK5 (30A Max)	Ferraz Shawmut A50P or lower let-through semiconductor fuses (60A Max)
60	H, K & RK5 (150A Max)		H, K & RK5 (150A Max)	H, K & RK5 (60A Max)	Ferraz Shawmut A50P or lower let-through semiconductor fuses (100A Max)
100	H, K & RK5 (150A Max)		—		

¹ For use as supplemental protection on the load side of the branch circuit over current protective device.

Siemens Energy & Automation, Inc.

3333 Old Milton Parkway
Alpharetta, GA 30005

1-800-964-4114

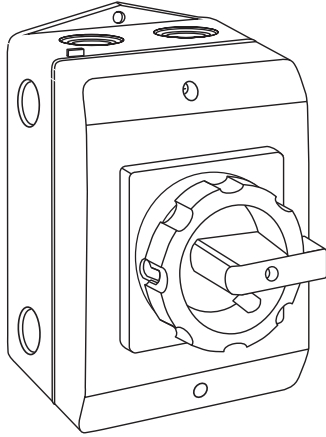
info.sea@siemens.com

www.sea.siemens.com/power

©2008 Siemens Energy & Automation, Inc.

All Rights Reserved.

Siemens is a registered trademark of Siemens AG. Product names mentioned may be trademarks or registered trademarks of their respective companies. Specifications are subject to change without notice.



Enclosed Rotary Disconnect Switch

Non-Fusible, 16 - 30 Amp, Type 12K Industrial and 4X Non-metallic Enclosures

Standards and Ratings

- UL Listed under file #E47705
- CSA certified under file # 20357C
- Meets UL508 for manual motor controllers
- Enclosure constructed from Makrolon 9425 and UL Listed as Type 1, 4X and 12K for either indoor or outdoor use
- IEC60497-3 rated and CE marked (enclosure IP65 rated)
- Listed and marked suitable as motor disconnect
- Rated 5kA at 600V AC max. when protected by a 3RV motor starter with a FLA rating equal to or less than the switch ampere rating or an RK5 Fuse as follows:

Switch Rating	RK5 Fuse Rating
16A	50A max.
25 & 30A	80A max.

Features

- Compact design saves space while meeting UL wire bending space requirements
- Knockouts provided in top and bottom ends
- Available with factory installed auxiliary contacts
- Factory installed ground bar (except on catalog numbers with 4 NO auxiliary contacts)
- Padlockable in OFF position with up to (3) padlocks with 5/16" max. diameter hasps
- Black or Red and Yellow rotary handles available

General Information and Horsepower Ratings ¹

Amp Rating	Catalog Number	Shipping Weight (lbs.)	Horsepower Ratings			
			240V AC 1 Phase	3 Phase	480V AC 3 Phase	600V AC 3 Phase
3-Pole with Black Rotary Handle ²						
16	3LD2064-0TB51-0US2	1	1½	3	7½	10
25	3LD2164-0TB51-0US2	1	3	7½	10	15
30	3LD2264-0TB51-0US2	1	3	10	20	20
3-Pole with Red & Yellow Rotary Handle ²						
16	3LD2064-0TB53-0US2	1	1½	3	7½	10
25	3LD2164-0TB53-0US2	1	3	7½	10	15
30	3LD2264-0TB53-0US2	1	3	10	20	20
3-Pole with Black Rotary Handle, 1 NO & 1 NC Auxiliary Contact ²						
16	3LD2064-1GP51-0US2	1	1½	3	7½	10
25	3LD2164-1GP51-0US2	1	3	7½	10	15
30	3LD2264-1GP51-0US2	1	3	10	20	20
3-Pole with Red & Yellow Rotary Handle, 1 NO & 1 NC Auxiliary Contact ²						
16	3LD2064-1GP53-0US2	1	1½	3	7½	10
25	3LD2164-1GP53-0US2	1	3	7½	10	15
30	3LD2264-1GP53-0US2	1	3	10	20	20
3-Pole with Black Rotary Handle & 2 NO Auxiliary Contacts ²						
30	3LD2264-1TS51-0US2	1	3	10	20	20
3-Pole with Red & Yellow Rotary Handle & 2 NO Auxiliary Contacts ²						
30	3LD2264-1TS53-0US2	1	3	10	20	20
3-Pole with Black Rotary Handle & 4 NO Auxiliary Contacts ³						
30	3LD2264-2TW51-0US2	1	3	10	20	20
3-Pole with Red & Yellow Rotary Handle & 4 NO Auxiliary Contacts ³						
30	3LD2264-2TW53-0US2	1	3	10	20	20

¹ All switches have screw type covers.

² Factory installed ground bar provided for #14-10 Cu wire.

³ Ground bar not available.

Product Specification Sheet #3LD2.1

Answers for industry.

SIEMENS

Product Specification Sheet #3LD2.1 (page 2 of 2)

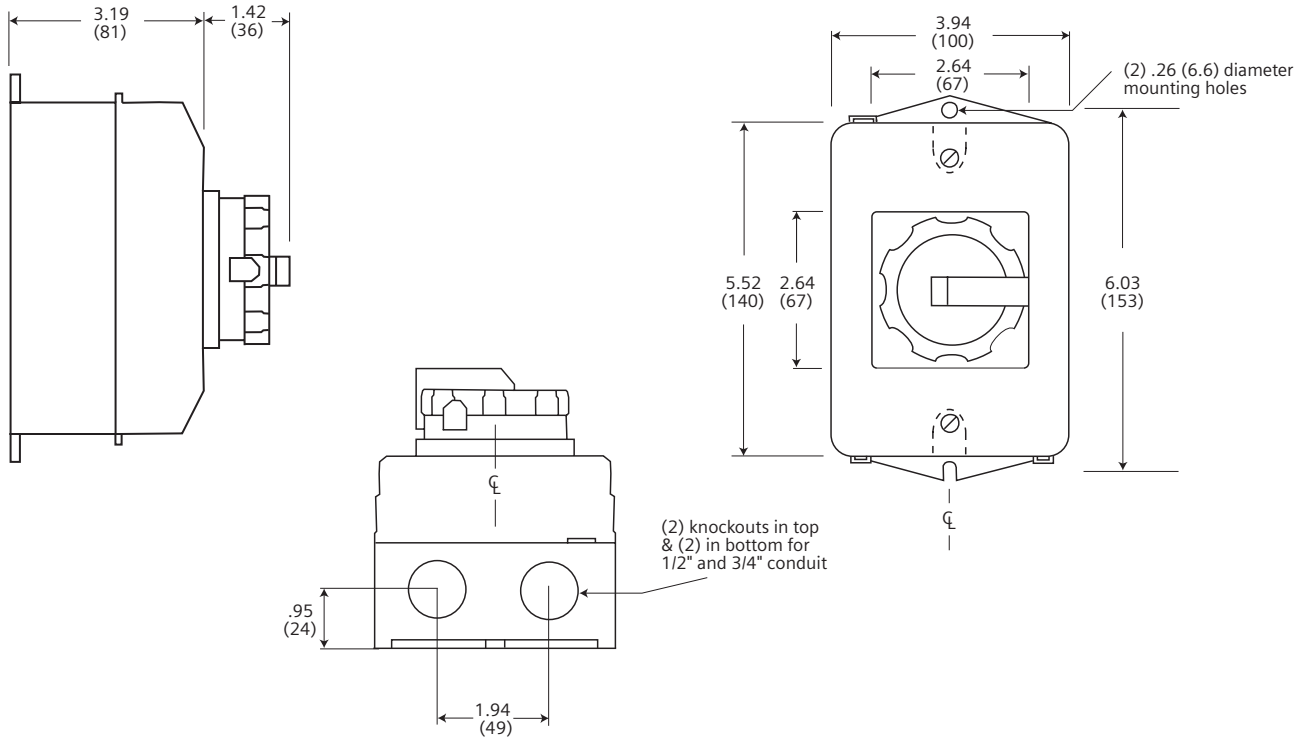
Accessories

Catalog Number	Description
3LD9220-2C	16 – 30A Neutral Kit

Line and Load Lug Wire Ranges (60/75°C, Cu only)

Description	Wire Range
16 Amp	#18-10 AWG
25 & 30A	#14-10 AWG

Dimension Drawing



Dimensions shown in inches and millimeters ().
Dimension shown accurate to $\pm \frac{1}{16}$ inch.

Note: Enclosure Finish – Light Gray

Note: Approved conduit entry/exit surfaces. Top, bottom, back and all sides.

Note: Wire bending space 1 3/4" from inside surface at KO's to line and load lugs (1" from center top & bottom lug to cover mounting post).

IEC Fuse and Withstand Ratings

Ampere Rating	gG Fuse Size	Short Circuit Rating
3LD2 Screw Cover Switches		
16	20A	5k Arms
25	25A	10k Arms
30	50A	10k Arms

Auxiliary Contact Control Circuit Ratings (wire range #18-12 60/75° C, Cu only)

50 or 60 Hz AC (Contact Rating A600, 10A continuous)						DC (Contact Rating P600, 5A Continuous) Maximum, Make or Break				
120V Make	Break	240V Make	Break	480V Make	Break	600V Make	Break	125V	250V	301-600V
60A	6A	30A	3A	15A	1.5A	12A	1.2A	1.1	.55	0.2

Siemens Energy & Automation, Inc.

3333 Old Milton Parkway
Alpharetta, GA 30005

1-800-964-4114

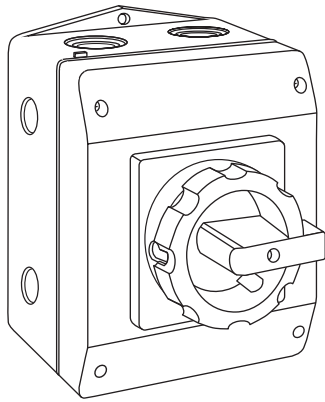
info.sea@siemens.com

www.sea.siemens.com/power

©2008 Siemens Energy & Automation, Inc.

All Rights Reserved.

Siemens is a registered trademark of Siemens AG.
Product names mentioned may be trademarks or registered trademarks of their respective companies.
Specifications are subject to change without notice.



Enclosed Rotary Disconnect Switch

Non-fusible 63 Amp, Type 12K Industrial and 4/4X Non-metallic Enclosures

Standards and Ratings

- UL Listed under file #E47705
- CSA certified under file # 20357C
- Meets UL508 for manual motor controllers
- Enclosure constructed from Makrolon 9425 and UL Listed as Type 1, 4X and 12K for either indoor or outdoor use
- IEC60497-3 rated and CE marked (enclosure IP65 rated)
- Listed and marked suitable as motor disconnect
- Rated 5kA at 600V AC max when protected by a 3RV motor starter with a FLA rating equal to or less than the switch ampere rating or 175A max. RK5 Fuses

Features

- Compact design saves space while meeting UL wire bending space requirements
- Knockouts provided in top and bottom ends
- Available with factory installed auxiliary contacts
- Factory installed ground bar
- Padlockable in OFF position with up to (3) padlocks with 3/4" max. diameter hasps
- Black or Red and Yellow rotary handles available

General Information and Horsepower Ratings ¹

Amp Rating	Catalog Number	Shipping Weight (lbs.)	Horsepower Ratings			
			240V AC 1 Phase	3 Phase	480V AC 3 Phase	600V AC 3 Phase
3-Pole with Black Rotary Handle						
63	3LD2565-0TB51-0US2	3	10	15	40	50
3-Pole with Red & Yellow Rotary Handle						
63	3LD2565-0TB53-0US2	3	10	15	40	50
3-Pole with Black Rotary Handle, 1 NO & 1 NC Auxiliary Contact						
63	3LD2565-1GP51-0US2	3	10	15	40	50
3-Pole with Red & Yellow Rotary Handle, 1 NO & 1 NC Auxiliary Contact						
63	3LD2565-1GP53-0US2	3	10	15	40	50

Accessories

Catalog Number	Description
3LD9250-2CA	63A Neutral Kit

Line and Load Lug Wire Ranges (60/75°C, Cu only)

Description	Wire Range
63 Amp	#14-6 AWG

¹ All switches have screw type covers and factory installed ground bars for #14-8 Cu wire.

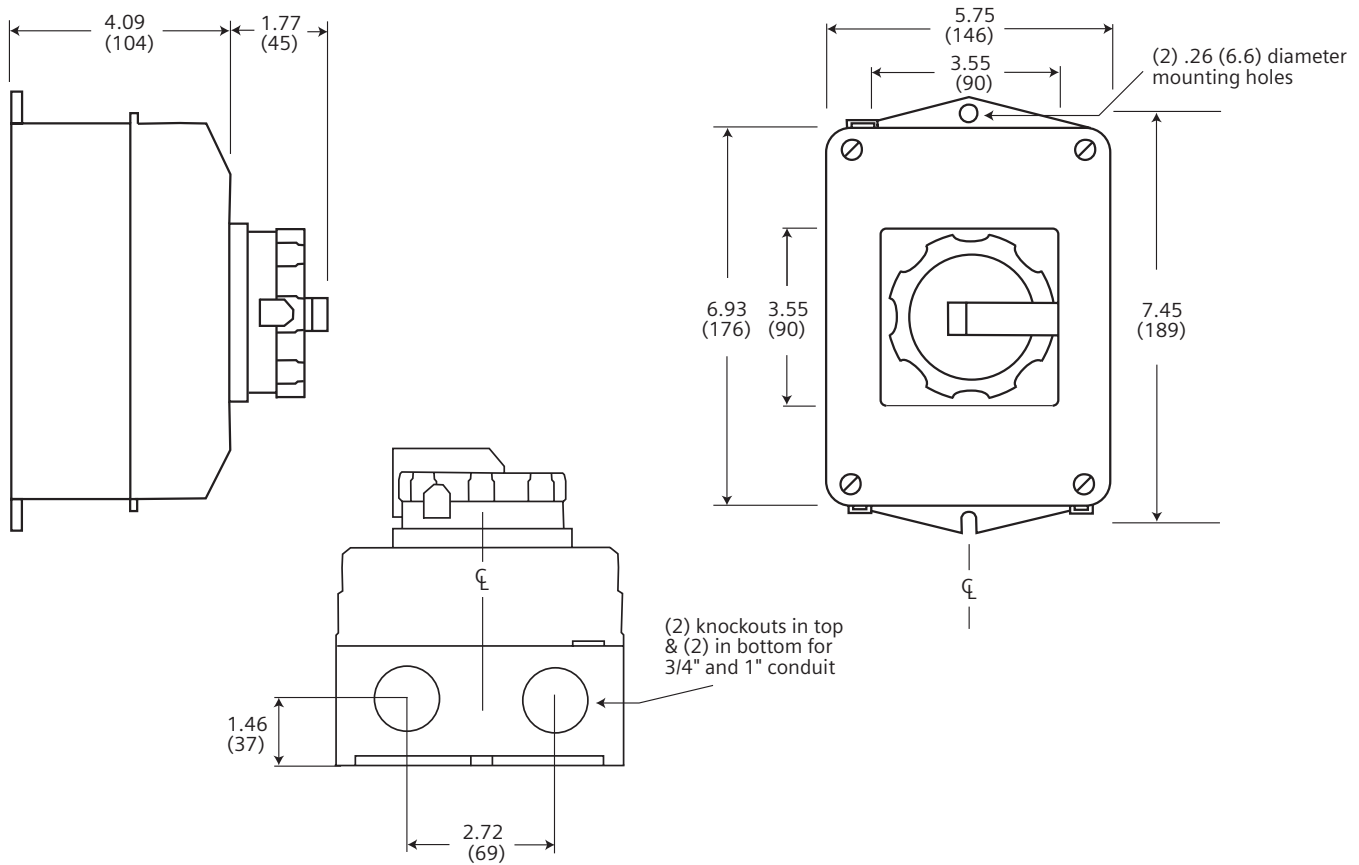
Product Specification Sheet 3LD2.2

Answers for industry.

SIEMENS

Product Specification Sheet #3LD2.2 (page 2 of 2)

Dimension Drawing



Dimensions shown in inches and millimeters ().
Dimension shown accurate to $\pm 1/16$ inch.

Note: Approved conduit entry/exit surfaces. Top, bottom, back and all sides.
Note: Wire bending space 2 1/4" (top and bottom).

Note: Enclosure Finish – Light Gray

IEC Fuse and Withstand Ratings

Ampere Rating	gG Fuse Size	Short Circuit Rating
3LD2 Screw Cover Switches		
63	63A	15k Arms

Auxiliary Contact Control Circuit Ratings (wire range #18-12 60/75° C, Cu only)

50 or 60 Hz AC (Contact Rating A600, 10A continuous)								DC (Contact Rating P600, 5A Continuous Maximum, Make or Break)		
120V Make	Break	240V Make	Break	480V Make	Break	600V Make	Break	125V	250V	301-600V
60A	6A	30A	3A	15A	1.5A	12A	1.2A	1.1	.55	0.2

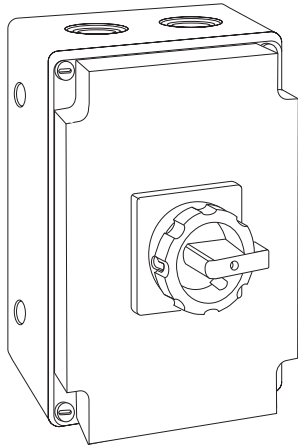
Siemens Energy & Automation, Inc.
3333 Old Milton Parkway
Alpharetta, GA 30005

1-800-964-4114
info.sea@siemens.com

www.sea.siemens.com/power

©2008 Siemens Energy & Automation, Inc.
All Rights Reserved.

Siemens is a registered trademark of Siemens AG.
Product names mentioned may be trademarks or registered trademarks of their respective companies.
Specifications are subject to change without notice.



Enclosed Rotary Disconnect Switch

Non-fusible, 100 - 125 Amp, Type 12K Industrial and Type 4X Non-metallic Enclosures

Standards and Ratings

- UL Listed under file #E47705
- CSA certified under file # 20357C
- Meets UL508 for manual motor controllers
- Enclosure constructed from Makrolon 9425 and UL Listed as Type 1, 4X and 12K for either indoor or outdoor use
- IEC60497-3 rated and CE marked (enclosure IP65 rated)
- Listed and marked suitable as motor disconnect
- Rated 10kA at 600V AC max. when protected by a 200A max. amp RK5 Fuse

Features

- Compact design saves space while meeting UL wire bending space requirements
- Knockouts provided in top and bottom ends
- Available with factory installed auxiliary contacts
- Factory installed ground bar
- Padlockable in OFF position with up to (3) padlocks with 3/16" max. diameter hasps
- Black or Red and Yellow rotary handles available

General Information and Horsepower Ratings ¹

Amp Rating	Catalog Number	Shipping Weight (lbs.)	Horsepower Ratings			
			240V AC 1 Phase	3 Phase	480V AC 3 Phase	600V AC 3 Phase
3-Pole, 4 Wire with Black Rotary Handle						
100	3LD2766-0TB51-0US2	6	—	30	60	75
125	3LD2866-0TB51-0US2	6	—	40	75	100
3-Pole, 4 Wire with Red & Yellow Rotary Handle						
100	3LD2766-0TB53-0US2	6	—	30	60	75
125	3LD2866-0TB53-0US2	6	—	40	75	100
3-Pole, 4 Wire with Black Rotary Handle, 1 NO & 1 NC Auxiliary Contact						
100	3LD2766-1GP51-0US2	6	—	30	60	75
125	3LD2866-1GP51-0US2	6	—	40	75	100
3-Pole, 4 Wire with Red & Yellow Rotary Handle, 1 NO & 1 NC Auxiliary Contact						
100	3LD2766-1GP53-0US2	6	—	30	60	75
125	3LD2866-1GP53-0US2	6	—	40	75	100

Accessories

Description

100-125A Neutral Kit Factory Installed as Standard

Line and Load Lug Wire Ranges (60/75°C, Cu only)

Description	Wire Range
100-125 Amp	#12-1 AWG

¹ All switches have screw type covers and factory installed ground bars for #12-1 Cu wire and neutral assemblies.

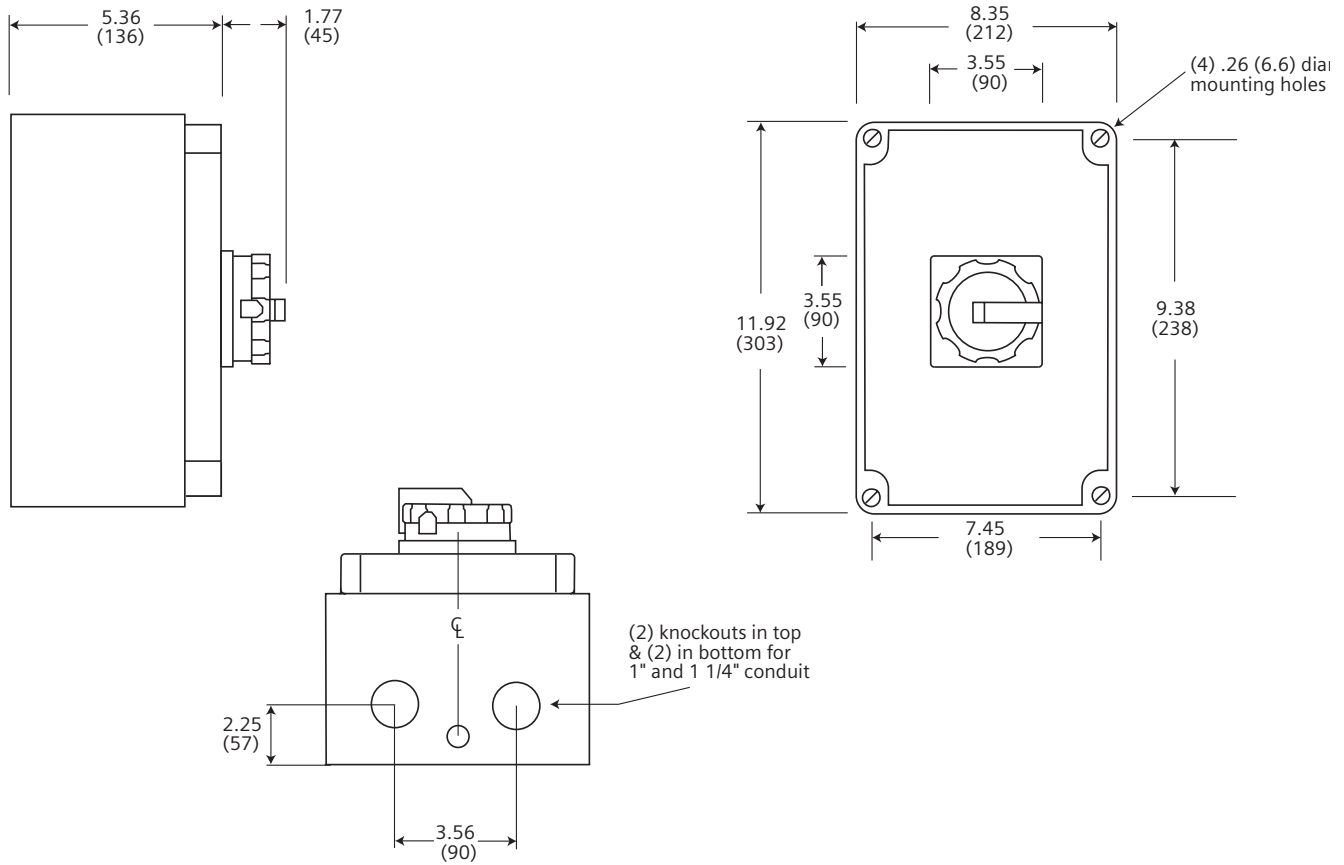
Product Specification Sheet #3LD2.3

Answers for industry.

SIEMENS

Product Specification Sheet #3LD2.3 (page 2 of 2)

Dimension Drawing



Dimensions shown in inches and millimeters ().
Dimension shown accurate to $\pm 1/16$ inch.

Note: Enclosure Finish – Light Gray

Note: Approved conduit entry/exit surfaces. Top, bottom, back and all sides.
Note: Wire bending space 4 1/2" (top and bottom).

IEC Fuse and Withstand Ratings

Ampere Rating	gG Fuse Size	Short Circuit Rating
3LD2 Screw Cover Switches		
100	100A	20k Arms
125	125A	20k Arms

Auxiliary Contact Control Circuit Ratings (wire range #18-12 60/75° C, Cu only)

50 or 60 Hz AC (Contact Rating A600, 10A continuous)								DC (Contact Rating P600, 5A Continuous) Maximum, Make or Break		
120V Make	Break	240V Make	Break	480V Make	Break	600V Make	Break	125V	250V	301-600V
60A	6A	30A	3A	15A	1.5A	12A	1.2A	1.1	.55	0.2

Siemens Energy & Automation, Inc.
3333 Old Milton Parkway
Alpharetta, GA 30005

1-800-964-4114
info.sea@siemens.com

www.sea.siemens.com/power

©2008 Siemens Energy & Automation, Inc.
All Rights Reserved.

Siemens is a registered trademark of Siemens AG.
Product names mentioned may be trademarks or
registered trademarks of their respective companies.
Specifications are subject to change without notice.