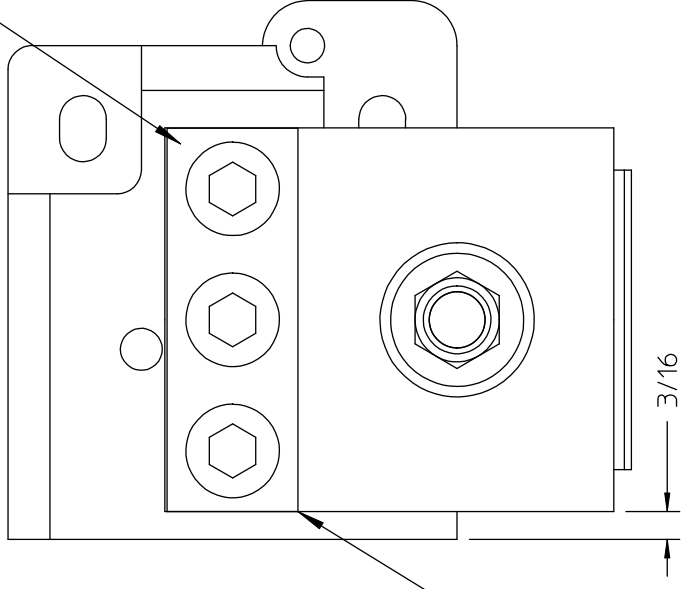
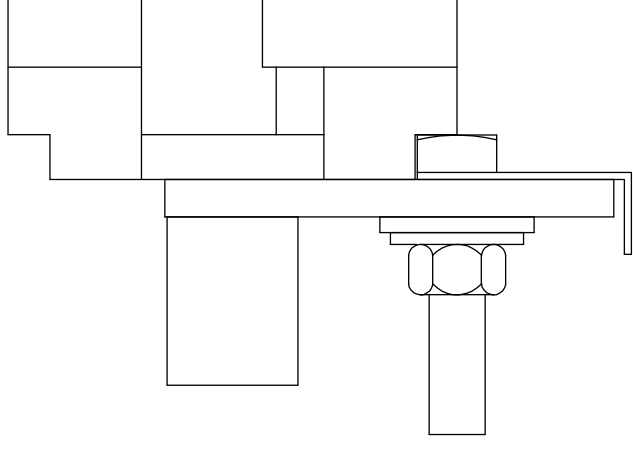


ASSEMBLE WITH (2) 1/4-20 X 1 PHMS AND
EXTERNAL TOOTH WASHERS (NOT SHOWN)



NOTE: EDGE OF BUS AND CONNECTOR
SHOULD BE LINED UP WITH EACH
OTHER.



NOTE: BAG OF SCREWS INCLUDES
(2) 1/4-20 X 3/4 TRUSS HEAD MACHINE SCREWS

UNLESS OTHERWISE SPECIFIED DIMENSIONS ARE IN INCHES		-CONFIDENTIAL-PROPERTY OF Siemens Energy & Automation, Inc. Residential Products Division	
TOLERANCES: .XX .XXX		ISSUE RELEASE NO.	DWG NO.
HOLE DIAMETER ANGULAR UNDIMENSIONED 90° ANGLES		SIZE B	UPB3
DWN	KW	DATE 2/24/97	3 POSITION PHASE BLOCK
CHK		DATE	
APVD		DATE	
		SCALE	DO NOT SCALE DRAWING
			SHEET 1 OF 1