

SIEMENS

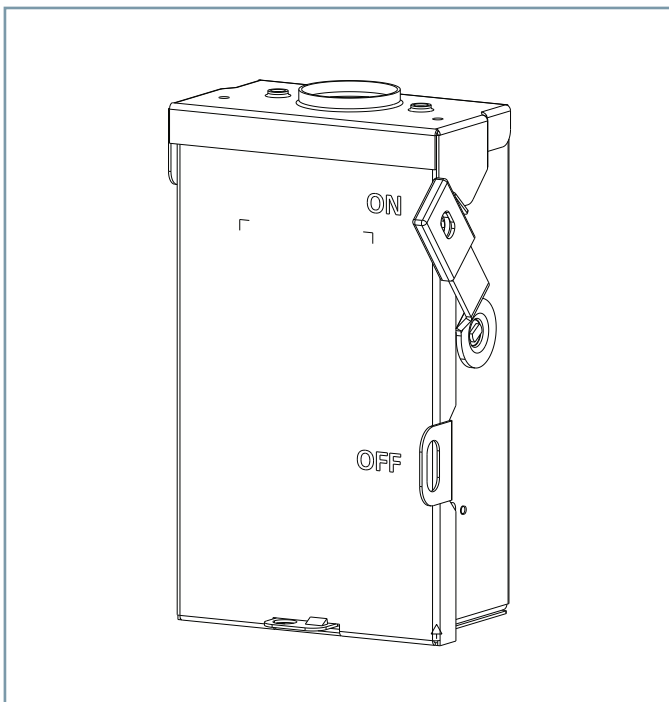
Ingenuity for life

Data Sheet

General Duty Safety Switch

30A 240V, Type 3R, Non-fusible

usa.siemens.com/switches



Standards and Ratings

- UL Listed under file #E4776
- Meets UL98 for switches and UL50 for enclosures
- Meets NEMA Standard KS-1 for enclosed switches
- Meets NEC wire bending space requirements
- Suitable for use as service entrance equipment

Features

- Rated 10,000 AIC with Class K fuses or H fuses or rated 100,000 AIC with Class R fuses
- Quick-make and break switching action
- Double break visible blade design
- Oversized enclosure (60% greater volume compared to GNF321A)
- Oversized lugs

Product Specifications

General Duty 30A 240V, Type 3R

General Information		
Catalog Number	Description	Shipping Weight in lbs. (std. package qty.)
GNF321RLA	General Duty Enclosed Switch, Oversized	30 (10)

Horsepower Ratings		
250V DC	1 Phase, 240V AC	3 Phase, 240V AC
5	3	7.5

Accessories & Hub Kits	
Catalog Number	Description
ECHA075 ①	0.75" Type "HA" Outdoor Hub
ECHA100 ①	1.00" Type "HA" Outdoor Hub
ECHA125 ①	1.25" Type "HA" Outdoor Hub
HG61234 ②	Ground Lug Kit 30-200A
HN22A	Neutral Kit

Wire Torque Information		
Application	Wire Size	Nominal Torque
Mechanical Lug - Wire Connector ③	14 -10 AWG	35 lb.-in.
	8 AWG	40 lb.-in.
	6 AWG	45 lb.-in.

Mechanical Lug Wire Ranges ②		
Description	Wire Range with Wire Bending Space per NEC® requirements	Lug Wire Range
Line and Load Terminals	14 - 6 AWG	14 - 2 AWG

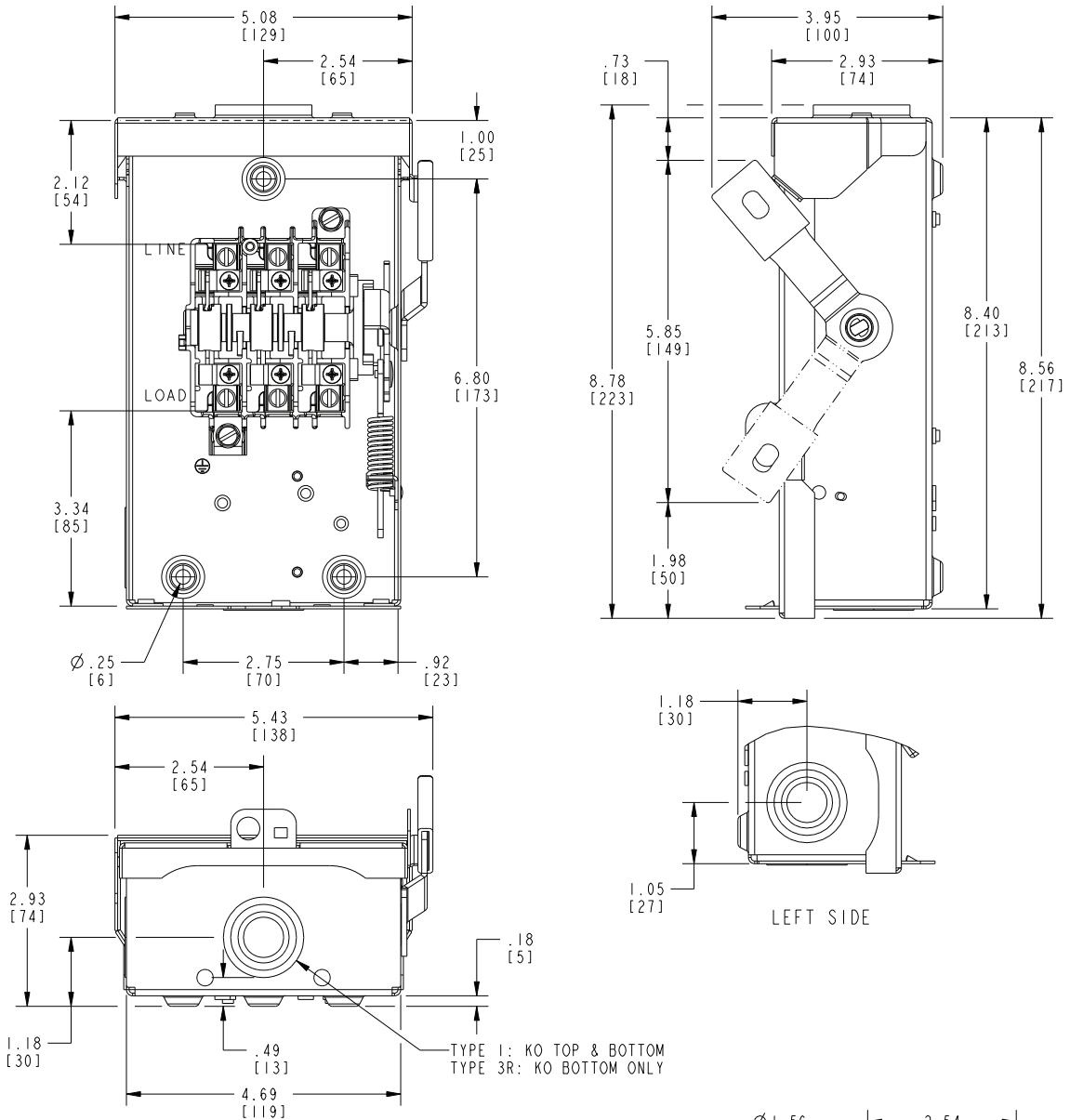
① Use closure plate screws provided to mount hubs.

② See "Wire Torque Information" table for specific wire torque values.

③ Use Cu/Al 60°/75° C Wire.

Dimension Drawing

General Duty 30A 240V, Type 3R

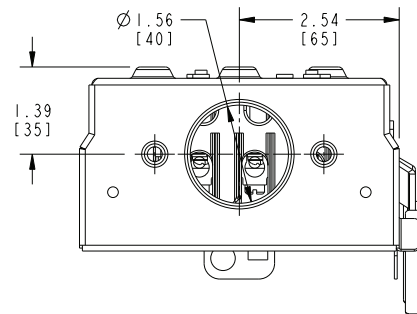


TYPE 1 ENCLOSURES:
 COLD ROLLED STEEL
 .045" THICK
 FINISH: ANSI GREY #61 PAINT

TYPE 3R ENCLOSURES:
 GALVANIZED STEEL
 .045" THICK
 FINISH: ANSI GREY #61 PAINT

WIRE BEND (LINE): 2.0"
 WIRE BEND (LOAD): 3.25"

CONCENTRIC KO CONDUIT SIZES:
 1/2", 3/4", 1"



**Published by
Siemens 2019**

Siemens Industry, Inc.
5400 Triangle Parkway
Norcross, GA 30092

Siemens Technical Support: 1-800-333-7421
info.us@siemens.com

Printed in USA-CP
Order No. SSFL-GN32R-1019
All Rights Reserved
© 2019, Siemens Industry, Inc.
usa.siemens.com/switches

The technical data presented in this document is based on an actual case or on as-designed parameters, and therefore should not be relied upon for any specific application and does not constitute a performance guarantee for any projects. Actual results are dependent on variable conditions. Accordingly, Siemens does not make representations, warranties, or assurances as to the accuracy, currency or completeness of the content contained herein. If requested, we will provide specific technical data or specifications with respect to any customer's particular applications. Our company is constantly involved in engineering and development. For that reason, we reserve the right to modify, at any time, the technology and product specifications contained herein.