

# SIEMENS

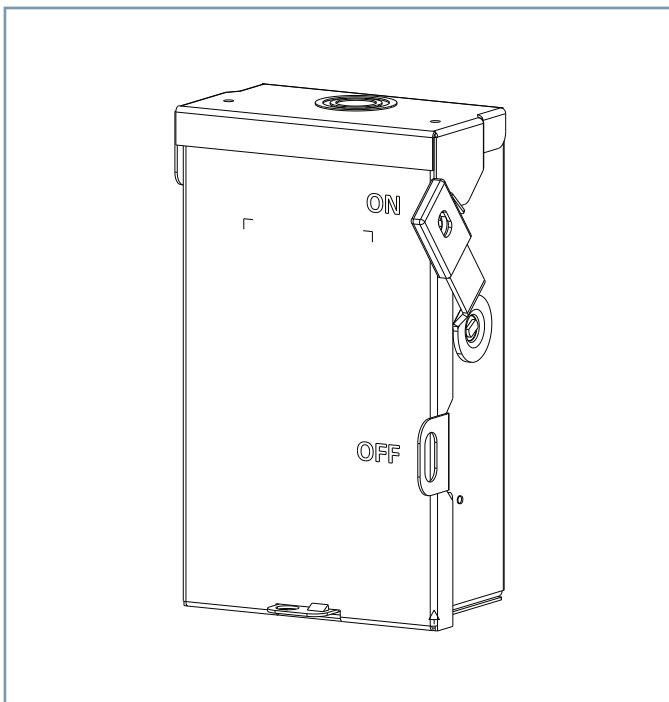
*Ingenuity for life*

Data Sheet

# General Duty Safety Switch

30A 240V, Type 1, Non-fusible

[usa.siemens.com/switches](http://usa.siemens.com/switches)



## Standards and Ratings

- UL Listed under file #E4776
- Meets UL98 for switches and UL50 for enclosures
- Meets NEMA Standard KS-1 for enclosed switches
- Meets NEC wire bending space requirements
- Suitable for use as service entrance equipment

## Features

- Rated 10,000 AIC with Class K fuses or H fuses or rated 100,000 AIC with Class R fuses
- Quick-make and break switching action
- Double break visible blade design
- Oversized enclosure (60% greater volume compared to GNF321A)
- Oversized lugs

# Product Specifications

## General Duty 30A 240V, Type 1

| General Information |   |   |
|---------------------|---|---|
| Catalog Number      | Description                             | Shipping Weight in lbs. (std. package qty.) |
| GNF321LA            | General Duty Enclosed Switch, Oversized | 30 (10)                                     |

| Horsepower Ratings |                  |                  |
|--------------------|------------------|------------------|
| 250V DC            | 1 Phase, 240V AC | 3 Phase, 240V AC |
| 5                  | 3                | 7.5              |

| Accessories & Hub Kits |                        |
|------------------------|------------------------|
| Catalog Number         | Description            |
| HG61234 ①              | Ground Lug Kit 30-200A |
| HN22A                  | Neutral Kit            |

| Wire Torque Information              |            |                |
|--------------------------------------|------------|----------------|
| Application                          | Wire Size  | Nominal Torque |
| Mechanical Lug -<br>Wire Connector ② | 14 -10 AWG | 35 lb.-in.     |
|                                      | 8 AWG      | 40 lb.-in.     |
|                                      | 6 AWG      | 45 lb.-in.     |

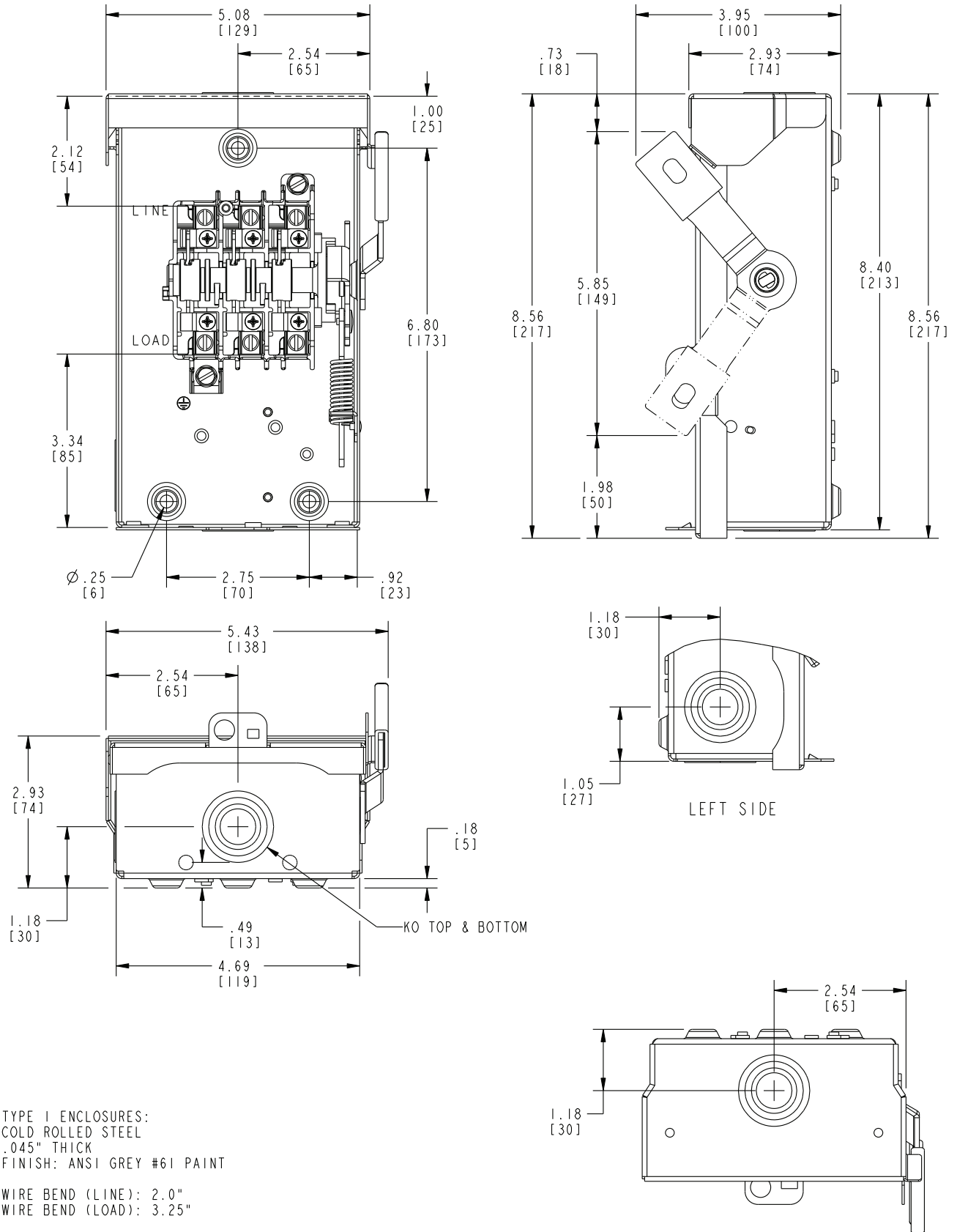
| Mechanical Lug Wire Ranges ① |  |                |
|------------------------------|--|----------------|
| Description                  | Wire Range with Wire Bending Space per NEC® requirements | Lug Wire Range |
| Line and Load Terminals      | 14 - 6 AWG   | 14 - 2 AWG     |

① See "Wire Torque Information" table for specific wire torque values.

② Use Cu/Al 60°/75° C Wire.

# Dimension Drawing

## General Duty 30A 240V, Type 1



TYPE I ENCLOSURES:  
 COLD ROLLED STEEL  
 .045" THICK  
 FINISH: ANSI GREY #61 PAINT  
  
 WIRE BEND (LINE): 2.0"  
 WIRE BEND (LOAD): 3.25"  
  
 CONCENTRIC KO CONDUIT SIZES:  
 1/2", 3/4", 1"

**Published by  
Siemens 2019**

Siemens Industry, Inc.  
5400 Triangle Parkway  
Norcross, GA 30092

Siemens Technical Support: 1-800-333-7421  
info.us@siemens.com

Printed in USA-CP  
Order No. SSFL-GN32L-1019  
All Rights Reserved  
© 2019, Siemens Industry, Inc.  
[usa.siemens.com/switches](http://usa.siemens.com/switches)

The technical data presented in this document is based on an actual case or on as-designed parameters, and therefore should not be relied upon for any specific application and does not constitute a performance guarantee for any projects. Actual results are dependent on variable conditions. Accordingly, Siemens does not make representations, warranties, or assurances as to the accuracy, currency or completeness of the content contained herein. If requested, we will provide specific technical data or specifications with respect to any customer's particular applications. Our company is constantly involved in engineering and development. For that reason, we reserve the right to modify, at any time, the technology and product specifications contained herein.