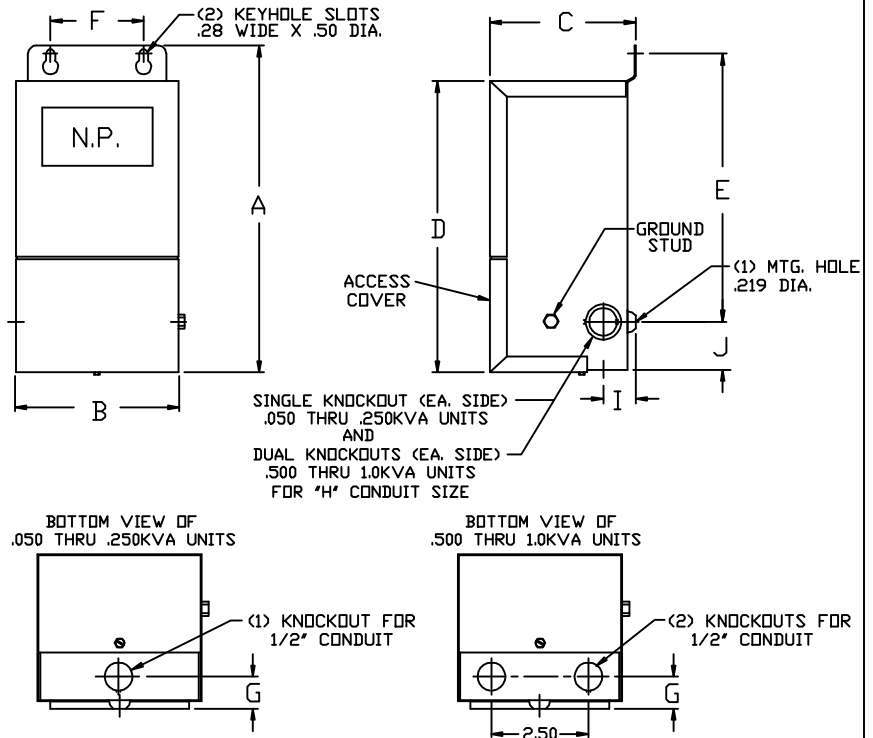


SIEMENS

DRY TYPE TRANSFORMERS

NOTES:

1. ALL UNITS ARE UL LISTED AND ARE DESIGNED IN ACCORDANCE WITH APPLICABLE NEMA, ANSI, AND IEEE STANDARDS.
2. THESE TRANSFORMERS ARE ENCAPSULATED CONSTRUCTION.
3. TRANSFORMERS ARE 95°C RISE.
4. TRANSFORMERS ARE WALL MOUNTED FOR INDOOR / OUTDOOR USE.
5. PAINT COLOR IS ANSI #61 GRAY.
6. MOUNTING HOLES LOCATIONS. 1/4" MOUNTING HARDWARE REQUIRED.



KVA	DIMENSIONS IN INCHES										NET WT. LBS. COPPER	NET WT. LBS. ALUMINUM
	A	B	C	D	E	F	G	H	I	J		
.050	8.03	3.31	3.08	6.81	6.19	2.25	1.00	1/2"	1.00	1.50	3	3
.100	8.03	3.31	3.08	6.81	6.19	2.25	1.00	1/2"	1.00	1.50	4	3
.150	8.03	3.31	3.08	6.81	6.19	2.25	1.00	1/2"	1.00	1.50	5	4
.250	8.03	3.31	3.08	6.81	6.19	2.25	1.00	1/2"	1.00	1.50	6	5
.500	10.19	5.06	4.59	9.06	8.38	2.25	1.00	1/2" & 3/4"	1.25	1.50	12	11
.750	10.19	5.06	4.59	9.06	8.38	2.25	1.00	1/2" & 3/4"	1.25	1.50	15	14
1.0	10.19	5.06	4.59	9.06	8.38	2.25	1.00	1/2" & 3/4"	1.25	1.50	18	17

KVA	QTY.	CATALOG NO.	VOLTAGE		TAPS	DRAWING
			PRIMARY	SECONDARY		
						<input type="checkbox"/> APPROVAL
						<input type="checkbox"/> RECORD
						<input type="checkbox"/> OTHER

CUST.	DWN. BY:	Siemens Industry, Inc.	
	DATE:		
JOB	CHK. BY:		GENERAL PURPOSE TRANSFORMERS SINGLE-PHASE, 600 VOLTS CLASS, 60 HZ.
P.O.	DATE:		
TIE	APVD. BY:	DWG. NO. J-21	
S.O.	DATE:		REV. E DATE 2/16/11