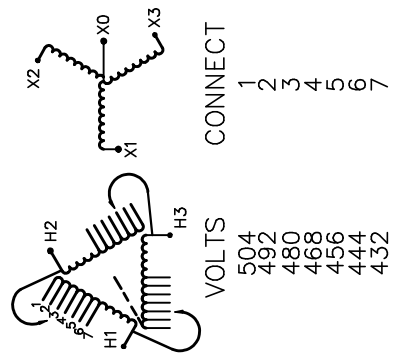


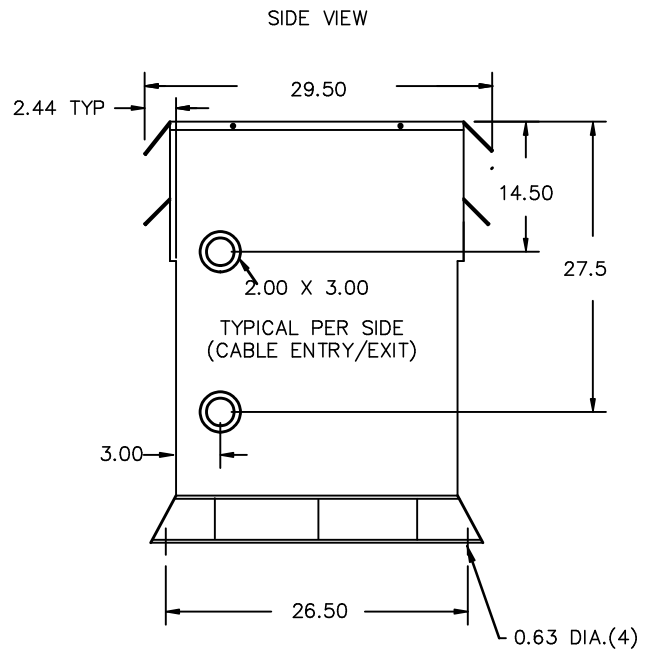
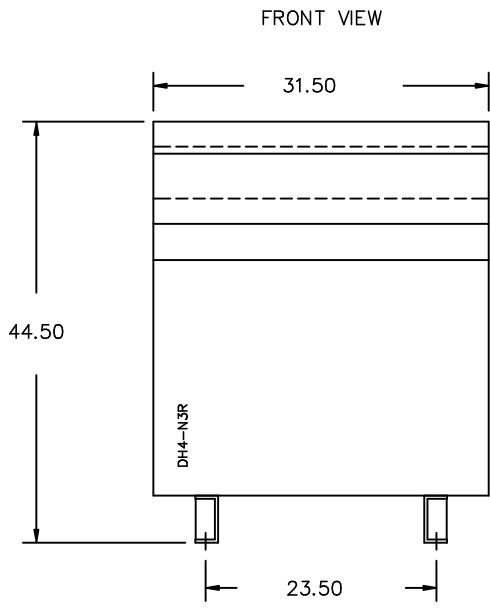
| | | | | |
|----------|------|---------|----------|----|
| REVISION | DATE | BY | DATE | BY |
| | | | 18/03/22 | PP |
| | | DRAWN | | |
| | | CHEK'D | | |
| | | VERIF'D | | |

| | |
|-----------|------------|
| CUSTOMER | |
| ORDER NO. | DWG. NO. |
| | 3F6Y150D16 |
| | SH 1 OF 3 |

SIEMENS

| | | |
|---|--|--|
| <p>CATALOG NO. 3F6Y150D16</p> <p>SERIAL NO.</p> <p>150 kVA 60 Hz 3 PHASE</p> <p>5.2 % IMP AT 170 °C</p> | <p>SERIES H</p> <p>30 °C AVG. AMBIENT</p> <p>40 °C MAX. AMBIENT</p> <p>PRIMARY (H1 H2 H3) 480V V 10 kV BIL</p> <p>SECONDARY(X0 X1 X2 X3) 380Y/219V V 10 kV BIL</p> |  <p>VOLTS CONNECT</p> <p>504 1</p> <p>492 2</p> <p>480 3</p> <p>468 4</p> <p>456 5</p> <p>444 6</p> <p>432 7</p> |
| <p>WINDING MATERIAL AL</p> <p>ENCLOSURE TYPE 3R WEIGHT 945 LBS</p> <p>ENERGY EFFICIENCY EXCEEDS CSA D0E 10 CFR PART 431:2016 C802.2-2012</p> | | <p>TYPE K</p> <p>UL LISTED</p> <p>DRY TYPE TRANSFORMER E112313</p> <p>LR 3902</p> <p>SEISMIC QUALIFICATIONS, FLOOR MOUNT ONLY</p> <p>OSP-0136-10 IBC 2012/ASCE 7-10</p> <p>SDS<=2.0g Z/h=1 Ip=1.5</p> |
| <p>SPACINGS BETWEEN ANY VENTILATED ENCLOSURE PANEL AND ANY ADJACENT WALL SHALL BE A MINIMUM OF 5 INCHES EXCEPT WHEN WALL MOUNTED USING APPROVED WALL MOUNTING KIT</p> <p>SUITABLE FOR INDOOR OR OUTDOOR LOCATIONS BEFORE HANDLING, INSTALLING AND OPERATING, SEE INSTRUCTION MANUAL</p> <p>NEMA Class ANN Dry Type Transformer Siemens Industry, Inc. Norcross, GA dsu0086e</p> | | |





All Dimensions in inches

ENCLOSURE COLOR :ANSI 61 GREY – OUTDOOR

HV TERMINAL DETAIL

LV TERMINAL DETAIL

MECHANICAL TYPE LUGS INCLUDED
SUITABLE FOR 350MCM-6 CU/AL
CONDUCTORS
1 CONDUCTOR PER PHASE

MECHANICAL TYPE LUGS INCLUDED
SUITABLE FOR 600MCM-2 CU/AL
CONDUCTORS
1 CONDUCTOR PER PHASE

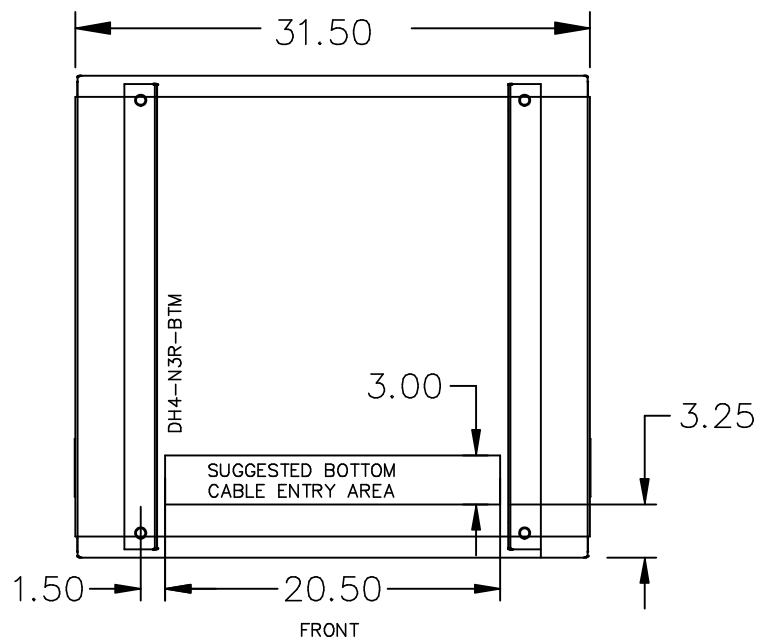
- CUSTOMER NOTES:
- HV TERMINATED AT TOP FRONT
 - LV TERMINATED AT BOTTOM FRONT

Siemens Industry, Inc.

| REVISION | DATE | BY | DATE | BY |
|----------|------|----|----------|----|
| | | | 18/03/22 | PP |
| | | | | |
| | | | | |

| | |
|-----------|------------|
| CUSTOMER | |
| ORDER NO. | DWG. NO. |
| | 3F6Y150D16 |
| SH 2 OF 3 | |

ENCLOSURE BOTTOM VIEW



NOTE:
 WHEN BOTTOM CABLE ENTRY IS OPTED, THE SPACE USED FOR CONDUITS IN THE FRONT OF THE TRANSFORMER SHOULD NOT OBSTRUCT MORE THAN 50% OF THE FRONT AIR INTAKE AREA DEFINED BETWEEN THE BOTTOM PLATE AND THE SUPPORTING LEGS.
 SEE MANUAL FOR ADDITIONAL INFORMATION

Siemens Industry, Inc.

| REVISION | DATE | BY | DATE | BY |
|----------|------|----|----------|----|
| | | | 18/03/22 | PP |
| | | | | |
| | | | | |

| | | |
|-----------|------------|-----------|
| CUSTOMER | | |
| ORDER NO. | DWG. NO. | |
| | 3F6Y150D16 | SH 3 OF 3 |