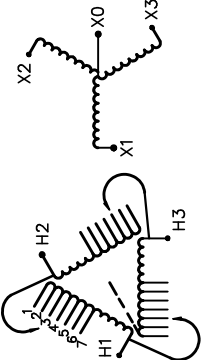




REVISION	DATE	BY	DATE	BY
		DRAWN	16/11/10	AS
		CHEK'D		
		VERIF'D		

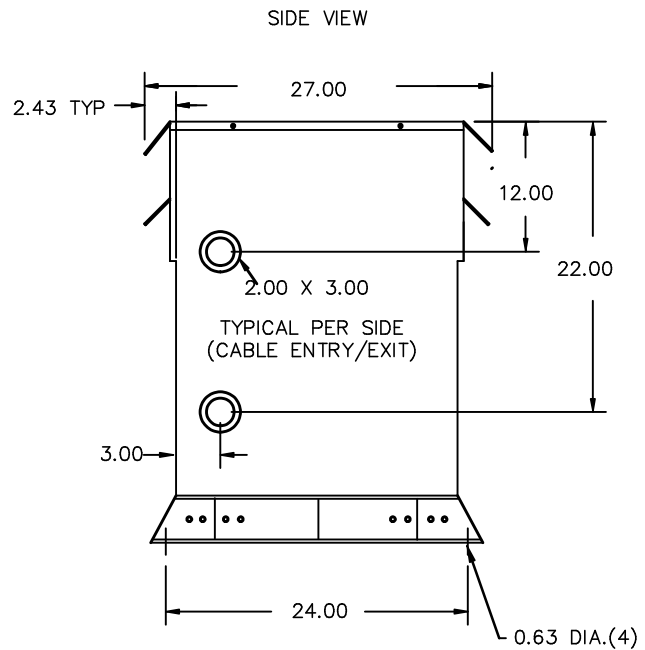
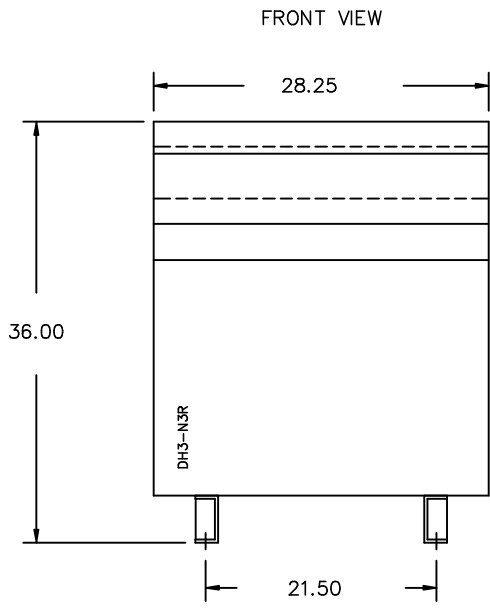
CUSTOMER	
ORDER NO.	DWG. NO.
	3F6Y075D16
SH 1 OF 3	

SIEMENS

<p>CATALOG NO. 3F6Y075D16</p> <p>SERIAL NO.</p> <p>75 kVA 60 Hz 3 PHASE</p> <p>6 % IMP AT 170 °C</p> <p>150 °C RISE 30 °C AVG. AMBIENT</p> <p>220 °C TEMP CLASS 40 °C MAX. AMBIENT</p> <p>PRIMARY (H1 H2 H3) 480 V 10 kV BIL</p> <p>SECONDARY(X0 X1 X2 X3) 380Y/219 V 10 kV BIL</p> <p>WINDING MATERIAL AL</p> <p>ENCLOSURE TYPE 3R WEIGHT 530 LBS</p> <p>ENERGY EFFICIENCY EXCEEDS CSA C802.2-2012 DOE 10 CFR PART 431:2016</p> <p>SPACINGS BETWEEN ANY VENTILATED ENCLOSURE PANEL AND ANY ADJACENT WALL SHALL BE A MINIMUM OF 5 INCHES EXCEPT WHEN WALL MOUNTED USING APPROVED WALL MOUNTING KIT</p> <p>SUITABLE FOR INDOOR OR OUTDOOR LOCATIONS BEFORE HANDLING, INSTALLING AND OPERATING, SEE INSTRUCTION MANUAL</p> <p>NEMA Class ANN Dry Type Transformer Siemens Industry, Inc. Norcross, GA <small>dsu0086e</small></p>	<p style="text-align: center;">SERIES H</p> <p style="text-align: center;">3 PHASE</p>	 <p style="text-align: center;">CONNECT</p> <table style="margin-left: auto; margin-right: auto;"> <tr><td>1</td><td>2</td><td>3</td><td>4</td><td>5</td><td>6</td><td>7</td></tr> </table> <p style="text-align: center;">VOLTS</p> <table style="margin-left: auto; margin-right: auto;"> <tr><td>504</td></tr> <tr><td>492</td></tr> <tr><td>480</td></tr> <tr><td>468</td></tr> <tr><td>456</td></tr> <tr><td>444</td></tr> <tr><td>432</td></tr> </table>	1	2	3	4	5	6	7	504	492	480	468	456	444	432
1	2	3	4	5	6	7										
504																
492																
480																
468																
456																
444																
432																
		<p style="text-align: center;">TYPE K</p> <div style="display: flex; justify-content: space-around; align-items: center;">   </div> <p style="text-align: center;">LISTED</p> <p style="text-align: center;">DRY TYPE TRANSFORMER E112313 LR 3902</p> <p style="text-align: center;">SEISMIC QUALIFICATIONS, FLOOR MOUNT ONLY OSP-0136-10 IBC 2012/ASCE 7-10 SDS<=2.0g Z/h=1 Ip=1.5</p>														



Siemens Industry, Inc.



All Dimensions in inches

ENCLOSURE COLOR :ANSI 61 GREY - OUTDOOR

HV TERMINAL DETAIL

LV TERMINAL DETAIL

MECHANICAL TYPE LUGS INCLUDED
SUITABLE FOR #2/0-14 CU/AL
CONDUCTORS
1 CONDUCTOR PER PHASE

MECHANICAL TYPE LUGS INCLUDED
SUITABLE FOR 250MCM-6 CU/AL
CONDUCTORS
1 CONDUCTOR PER PHASE

- CUSTOMER NOTES:
- HV TERMINATED AT TOP FRONT
 - LV TERMINATED AT BOTTOM FRONT

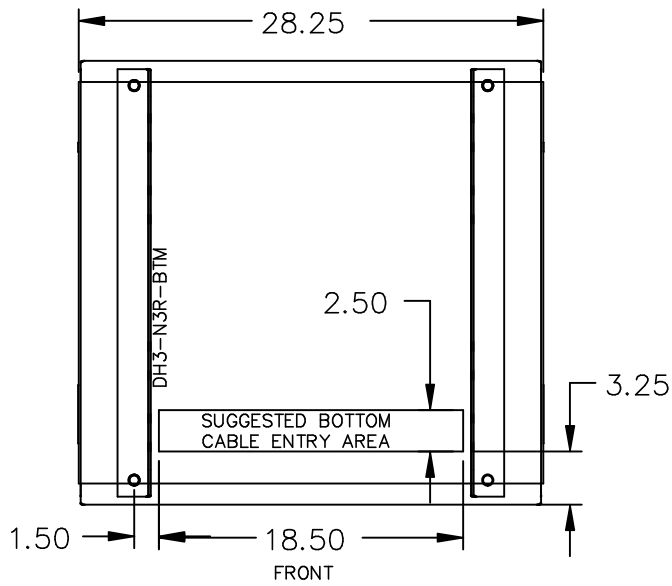
Siemens Industry, Inc.

REVISION	DATE	BY	DATE	BY
			16/11/10	AS

CUSTOMER	
ORDER NO.	DWG. NO.
	3F6Y075D16
SH 2 OF 3	

0.2_jwen 2017/06/13 16:03

ENCLOSURE BOTTOM VIEW



NOTE:
 WHEN BOTTOM CABLE ENTRY IS OPTED, THE SPACE USED FOR CONDUITS IN THE FRONT OF THE TRANSFORMER SHOULD NOT OBSTRUCT MORE THAN 50% OF THE FRONT AIR INTAKE AREA DEFINED BETWEEN THE BOTTOM PLATE AND THE SUPPORTING LEGS.
 SEE MANUAL FOR ADDITIONAL INFORMATION

Siemens Industry, Inc.

REVISION	DATE	BY	DATE	BY
		DRAWN	16/11/10	AS
		CHEK'D		
		VERIF'D		

CUSTOMER		
ORDER NO.	DWG. NO.	
	3F6Y075D16	SH 3 OF 3