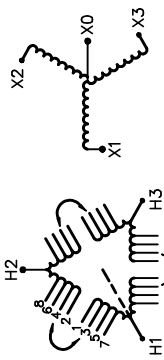




REVISION	DATE	BY	DATE	BY
			18/02/22	PP
		DRAWN		
		CHEK'D		
		VERIF'D		

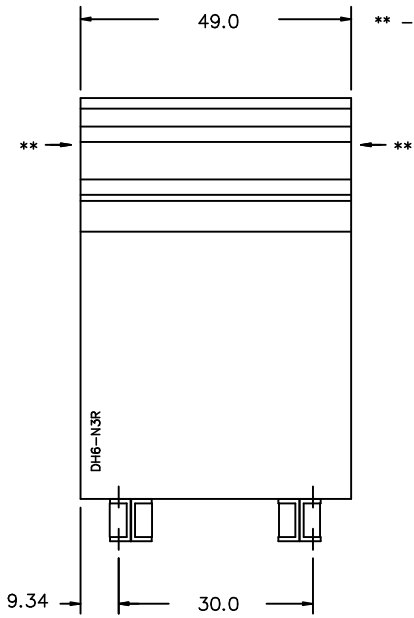
CUSTOMER		Siemens Industry, Inc.	
ORDER NO.	DWG. NO.		
	3F5Y500FD16		SH 1 OF 3

SIEMENS

<p>CATALOG NO. 3F5Y500FD16</p> <p>SERIAL NO.</p> <p>500 kVA 60 Hz 3 PHASE</p> <p>5.6 % IMP AT 135 °C</p>	<p>SERIES H</p> <p>30 °C AVG. AMBIENT</p> <p>40 °C MAX. AMBIENT</p> <p>PRIMARY (H1 H2 H3) 480V V 10 kV BIL</p> <p>SECONDARY(X0 X1 X2 X3) 480Y/277V V 10 kV BIL</p>	 <p>VOLTS</p> <p>504</p> <p>492</p> <p>480</p> <p>468</p> <p>456</p> <p>444</p> <p>432</p> <p>CONNECT</p> <p>1-2</p> <p>2-3</p> <p>3-4</p> <p>4-5</p> <p>5-6</p> <p>6-7</p> <p>7-8</p>	<p>TYPE K</p>  <p>DRY TYPE TRANSFORMER E112313</p>  <p>LR 3902</p>
<p>WINDING MATERIAL AL</p> <p>ENCLOSURE TYPE 3R WEIGHT 2950LBS</p> <p>ENERGY EFFICIENCY EXCEEDS CSA DOE 10 CFR PART 431:2016 C802.2-2012</p> <p>SPACINGS BETWEEN ANY VENTILATED ENCLOSURE PANEL AND ANY ADJACENT WALL SHALL BE A MINIMUM OF 12 INCHES</p>		<p>SEISMIC QUALIFICATIONS, FLOOR MOUNT ONLY</p> <p>OSP-0136-10 IBC 2012/ASCE 7-10</p> <p>SDS<=2.0g Z/h=1 Ip=1.5</p>	
<p>SUITABLE FOR INDOOR OR OUTDOOR LOCATIONS BEFORE HANDLING, INSTALLING AND OPERATING, SEE INSTRUCTION MANUAL</p> <p>NEMA Class ANN Dry Type Transformer</p>		<p>Siemens Industry, Inc. Norcross, GA <small>des0086e</small></p>	

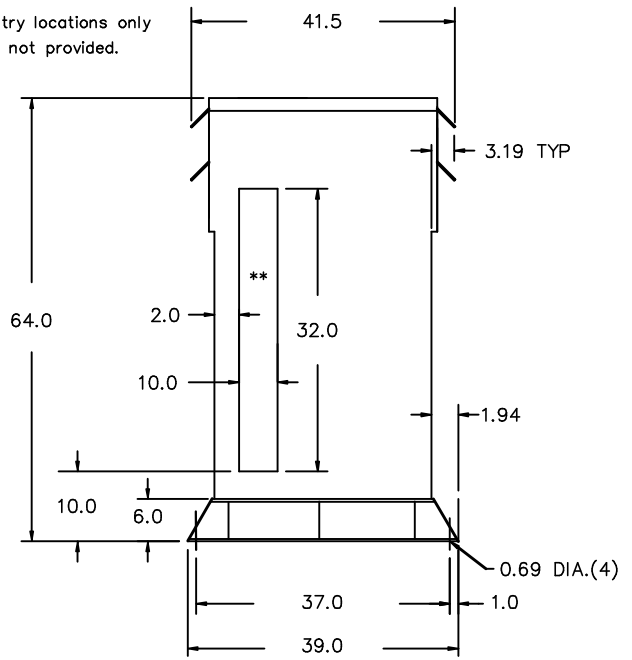


FRONT VIEW



** - Recommended cable entry locations only
cutouts & gland plates not provided.

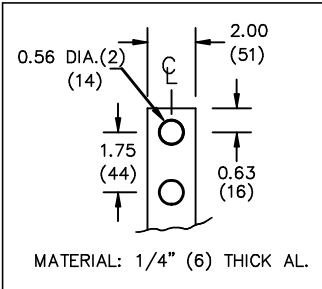
SIDE VIEW



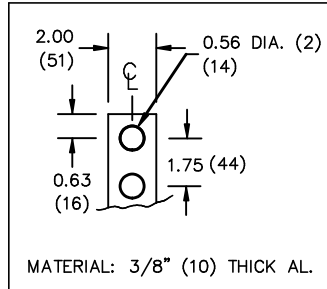
All Dimensions in inches

ENCLOSURE COLOR : ANSI 61 GREY - OUTDOOR

HV TERMINAL DETAIL



LV TERMINAL DETAIL



CUSTOMER NOTES:

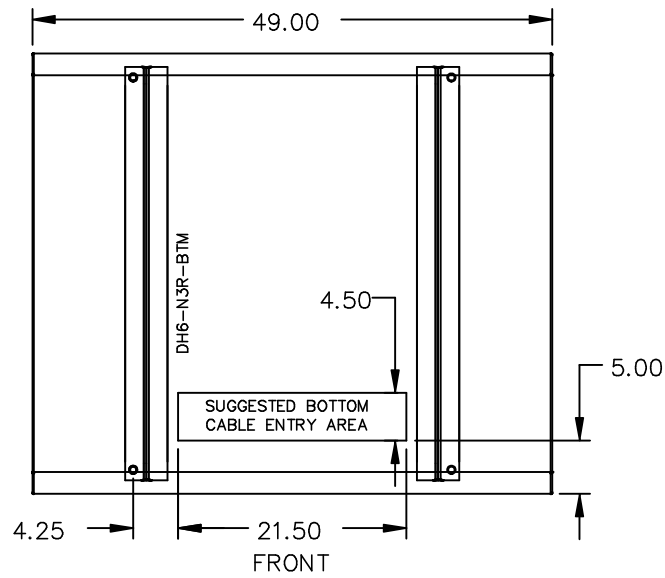
- HV TERMINATED AT TOP FRONT
- LV TERMINATED AT BOTTOM FRONT

Siemens Industry, Inc.

REVISION	DATE	BY	DATE	BY
			18/02/22	PP
			CHEK'D	
			VERIF'D	

CUSTOMER	
ORDER NO.	DWG. NO. 3F5Y500FD16
SH 2 OF 3	

ENCLOSURE BOTTOM VIEW



NOTE:
 WHEN BOTTOM CABLE ENTRY IS OPTED, THE SPACE USED FOR CONDUITS IN THE FRONT OF THE TRANSFORMER SHOULD NOT OBSTRUCT MORE THAN 50% OF THE FRONT AIR INTAKE AREA DEFINED BETWEEN THE BOTTOM PLATE AND THE SUPPORTING LEGS.
 SEE MANUAL FOR ADDITIONAL INFORMATION

Siemens Industry, Inc.

REVISION	DATE	BY	DATE	BY
			18/02/22	PP

CUSTOMER		
ORDER NO.	DWG. NO.	
	3F5Y500FD16	SH 3 OF 3