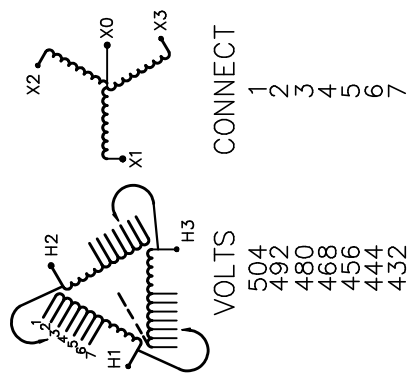


REVISION	DATE	BY	DATE	BY
			15/11/09	JW
1 ADDED ENCL BOTTOM DRAWING	17/04/03	JW		

Siemens Industry, Inc.		
CUSTOMER		
ORDER NO.	DWG. NO.	1
	3F5Y225BD16	SH 1 OF 3

SIEMENS

CATALOG NO. 3F5Y225BD16 SERIAL NO. 225 kVA 60 Hz 3 PHASE 3.2 % IMP AT 100 °C		SERIES H 3 PHASE	
80 °C RISE	30 °C AVG. AMBIENT		
220 °C TEMP CLASS	40 °C MAX. AMBIENT		
PRIMARY (H1 H2 H3)	480V V 10 kV BIL		
SECONDARY(X0 X1 X2 X3)	480Y/277V V 10 kV BIL		
WINDING MATERIAL AL			
ENCLOSURE TYPE 3R		WEIGHT 1950 LBS	
ENERGY EFFICIENCY EXCEEDS CSA C802.2-2012 DOE 10 CFR PART 431:2016			
SPACINGS BETWEEN ANY VENTILATED ENCLOSURE PANEL AND ANY ADJACENT WALL SHALL BE A MINIMUM OF 5 INCHES EXCEPT WHEN WALL MOUNTED USING APPROVED WALL MOUNTING KIT			
SUITABLE FOR INDOOR OR OUTDOOR LOCATIONS BEFORE HANDLING, INSTALLING AND OPERATING, SEE INSTRUCTION MANUAL			
NEMA Class ANN Dry Type Transformer		Siemens Industry, Inc. Norcross, GA <small>dsu0086e</small>	



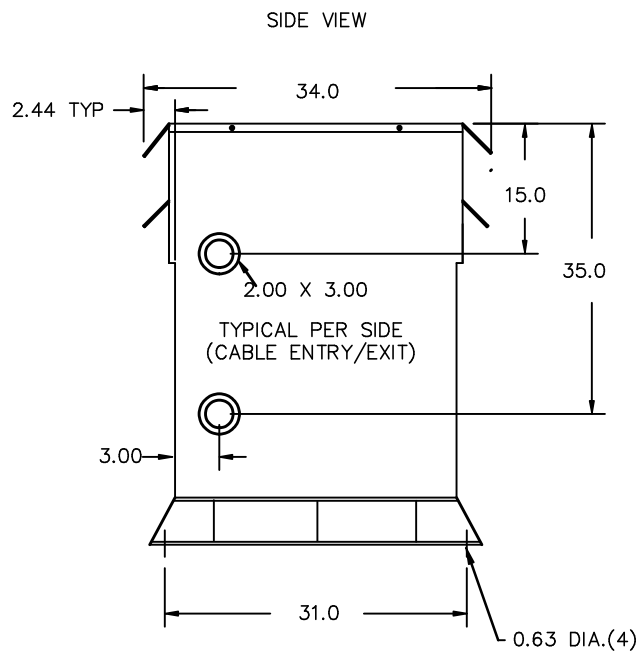
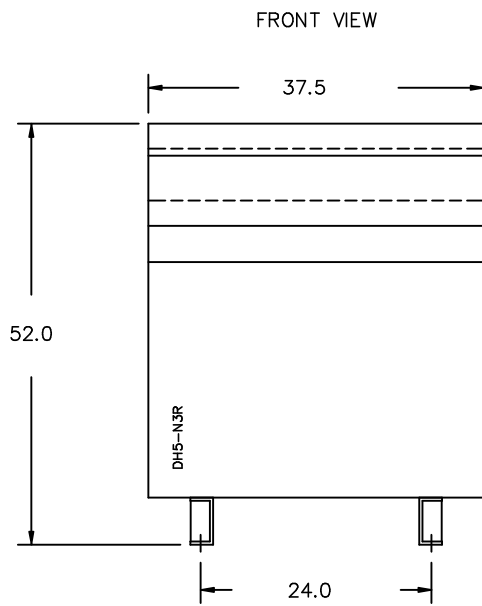
3F5Y225BD16

TYPE K

UL LISTED
UL TYPE LISTED TRANSFORMER E112313

SF LR 3902

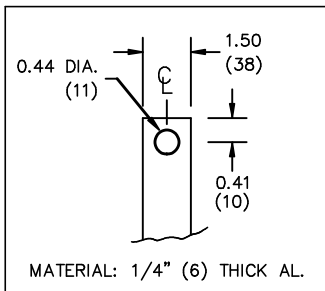
SEISMIC QUALIFICATIONS, FLOOR MOUNT ONLY
 OSP-0136-10 IBC 2012/ASCE 7-10
 SDS<=2.0g Z/h=1 Ip=1.5



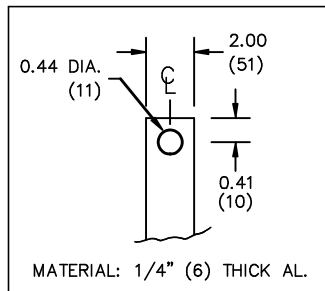
All Dimensions in inches

ENCLOSURE COLOR :ANSI 61 GREY – OUTDOOR

H.V.1. TERMINAL DETAIL



L.V.1. TERMINAL DETAIL



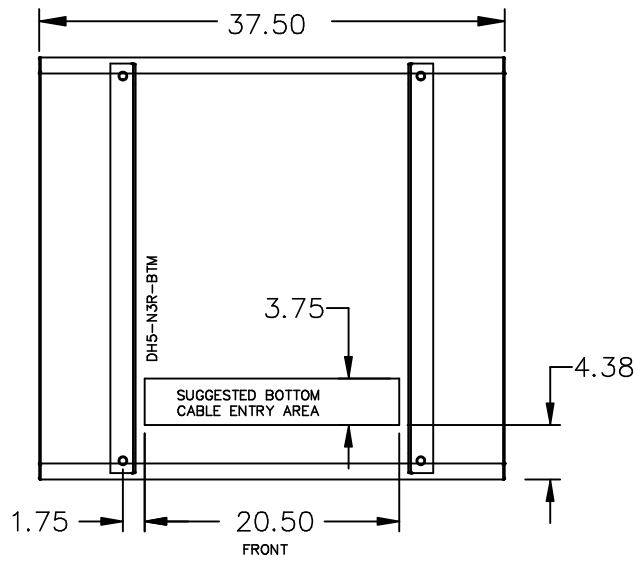
CUSTOMER NOTES:

- HV1 TERMINATED AT TOP FRONT
- LV1 TERMINATED AT BOTTOM FRONT

Siemens Industry, Inc.

REVISION	DATE	BY	DATE	BY	CUSTOMER		
			15/11/09	JW			
			CHEK'D				
1	ADDED ENCL BOTTOM DRAWING	17/04/03	JW	VERIF'D			
					ORDER NO.	DWG. NO.	1
					3F5Y225BD16		SH 2 OF 3

ENCLOSURE BOTTOM VIEW



NOTE:
 WHEN BOTTOM CABLE ENTRY IS OPTED, THE SPACE USED FOR CONDUITS IN THE FRONT OF THE TRANSFORMER SHOULD NOT OBSTRUCT MORE THAN 50% OF THE FRONT AIR INTAKE AREA DEFINED BETWEEN THE BOTTOM PLATE AND THE SUPPORTING LEGS. SEE MANUAL FOR ADDITIONAL INFORMATION

Siemens Industry, Inc.

REVISION	DATE	BY	DATE	BY	CUSTOMER		
			15/11/09	JW			
			CHEK'D				
1	ADDED ENCL BOTTOM DRAWING	17/04/03	JW	VERIF'D			
					ORDER NO.	DWG. NO.	1
					3F5Y225BD16		SH 3 OF 3