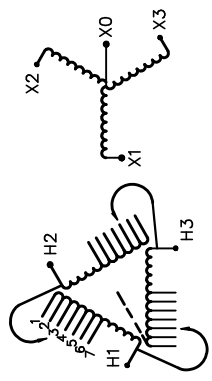




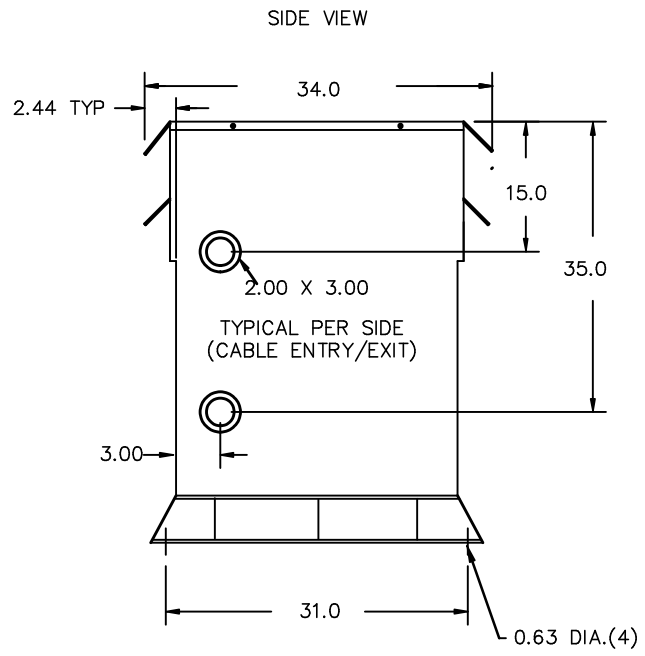
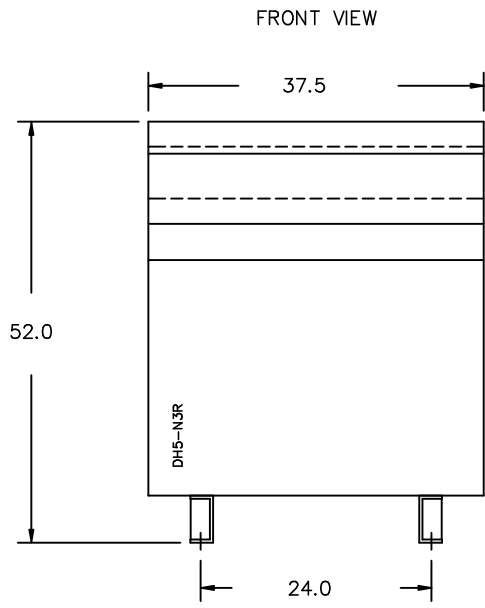
REVISION	DATE	BY	DATE	BY
			15/11/09	JW
1 ADDED ENCL BOTTOM DRAWING	17/04/03	JW		

Siemens Industry, Inc.		
CUSTOMER		
ORDER NO.	DWG. NO.	1
	3F5Y150FD16	SH 1 OF 3

# SIEMENS

CATALOG NO. 3F5Y150FD16 SERIAL NO. SERIES H 150 kVA 60 Hz 3 PHASE 3.1 % IMP AT 135 °C			
115 °C RISE 30 °C AVG. AMBIENT 220 °C TEMP CLASS 40 °C MAX. AMBIENT		VOLTS CONNECT 504 1 492 2 480 3 468 4 456 5 444 6 432 7	
PRIMARY ( H1 H2 H3 ) 480V V 10 kV BIL SECONDARY( X0 X1 X2 X3 ) 480Y/277V V 10 kV BIL			
WINDING MATERIAL AL ENCLOSURE TYPE 3R WEIGHT 1450 LBS ENERGY EFFICIENCY EXCEEDS CSA C802.2-2012 DOE 10 CFR PART 431:2016			
SPACINGS BETWEEN ANY VENTILATED ENCLOSURE PANEL AND ANY ADJACENT WALL SHALL BE A MINIMUM OF 5 INCHES EXCEPT WHEN WALL MOUNTED USING APPROVED WALL MOUNTING KIT		TYPE K  LISTED  LR 3902 DRY TYPE TRANSFORMER E112313 SEISMIC QUALIFICATIONS, FLOOR MOUNT ONLY OSP-0136-10 IBC 2012/ASCE 7-10 SDS<=2.0g Z/h=1 Ip=1.5	
SUITABLE FOR INDOOR OR OUTDOOR LOCATIONS BEFORE HANDLING, INSTALLING AND OPERATING, SEE INSTRUCTION MANUAL NEMA Class ANN Dry Type Transformer Siemens Industry, Inc. Norcross, GA dsu0086e			





All Dimensions in inches

ENCLOSURE COLOR :ANSI 61 GREY – OUTDOOR

H.V.1. TERMINAL DETAIL

L.V.1. TERMINAL DETAIL

MECHANICAL TYPE LUGS INCLUDED  
SUITABLE FOR 350MCM-6 CU/AL  
CONDUCTORS  
2 CONDUCTORS PER PHASE

MECHANICAL TYPE LUGS INCLUDED  
SUITABLE FOR 600MCM-2 CU/AL  
CONDUCTORS  
1 CONDUCTOR PER PHASE

CUSTOMER NOTES:

- HV1 TERMINATED AT TOP FRONT
- LV1 TERMINATED AT BOTTOM FRONT

Siemens Industry, Inc.

REVISION	DATE	BY	DATE	BY
			15/11/09	JW
			CHEK'D	
1 ADDED ENCL BOTTOM DRAWING	17/04/03	JW	VERIF'D	

CUSTOMER		
ORDER NO.	DWG. NO.	1
	3F5Y150FD16	SH 2 OF 3

1.1 jwen 2017/07/17 13:11

ENCLOSURE BOTTOM VIEW



NOTE:  
 WHEN BOTTOM CABLE ENTRY IS OPTED, THE SPACE USED FOR CONDUITS IN THE FRONT OF THE TRANSFORMER SHOULD NOT OBSTRUCT MORE THAN 50% OF THE FRONT AIR INTAKE AREA DEFINED BETWEEN THE BOTTOM PLATE AND THE SUPPORTING LEGS. SEE MANUAL FOR ADDITIONAL INFORMATION

Siemens Industry, Inc.

REVISION	DATE	BY	DATE	BY	CUSTOMER
			DRAWN 15/11/09	JW	ORDER NO. DWG. NO. 3F5Y150FD16 1 SH 3 OF 3
			CHEK'D		
1	ADDED ENCL BOTTOM DRAWING 17/04/03	JW	VERIF'D		