

REVISION	DATE	BY	DATE	BY
			15/11/09	JW
			CHEK'D	
1 ADDED ENCL BOTTOM DRAWING	17/04/03	JW	VERIF'D	

CUSTOMER		
ORDER NO.	DWG. NO.	1
	3F5Y075FCD16	SH 1 OF 3

SIEMENS

CATALOG NO. 3F5Y075FCD16
 SERIAL NO. SERIES H
 75 kVA 60 Hz 3 PHASE
 2.4 % IMP AT 135 °C

115 °C RISE 30 °C AVG. AMBIENT
 220 °C TEMP CLASS 40 °C MAX. AMBIENT

PRIMARY (H1 H2 H3) 480V V 10 kV BIL
 SECONDARY(X0 X1 X2 X3) 480Y/277V V 10 kV BIL

WINDING MATERIAL CU

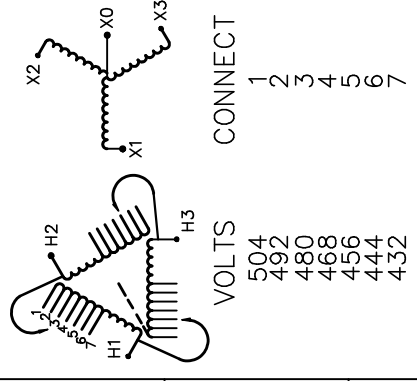
ENCLOSURE TYPE 3R WEIGHT 750 LBS

ENERGY EFFICIENCY EXCEEDS CSA DOE 10 CFR PART 431:2016 C802.2-2012

SPACINGS BETWEEN ANY VENTILATED ENCLOSURE PANEL AND ANY ADJACENT WALL SHALL BE A MINIMUM OF 5 INCHES EXCEPT WHEN WALL MOUNTED USING APPROVED WALL MOUNTING KIT

SUITABLE FOR INDOOR OR OUTDOOR LOCATIONS BEFORE HANDLING, INSTALLING AND OPERATING, SEE INSTRUCTION MANUAL

NEMA Class ANN Dry Type Transformer Siemens Industry, Inc. Norcross, GA dsu0086e



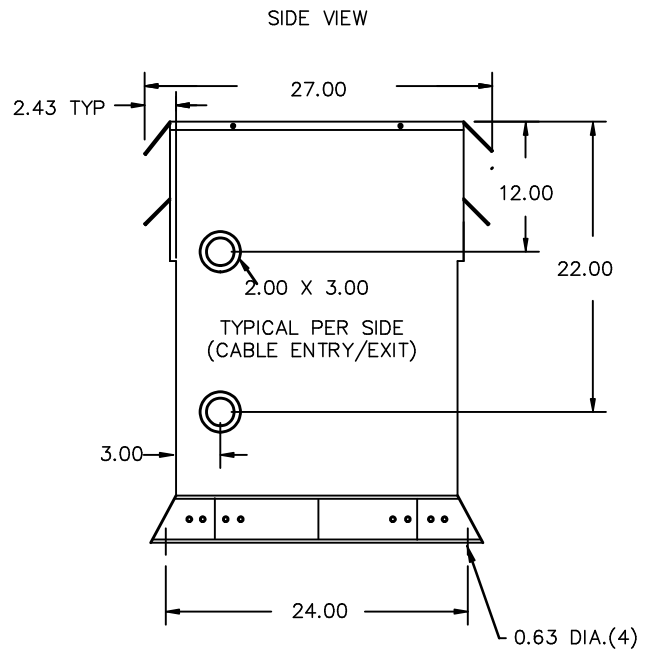
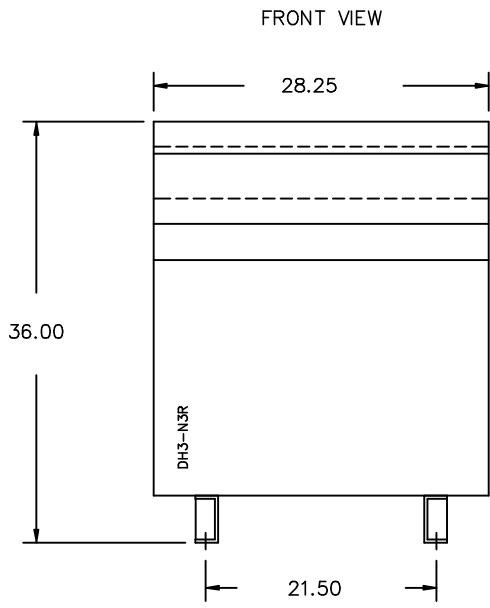
3F5Y075FCD16

TYPE K

LISTED LR 3902

UL E112313
 DRY TYPE TRANSFORMER

SEISMIC QUALIFICATIONS, FLOOR MOUNT ONLY
 OSP-0136-10 IBC 2012/ASCE 7-10
 SDS<=2.0g Z/h=1 Ip=1.5



All Dimensions in inches

ENCLOSURE COLOR :ANSI 61 GREY – OUTDOOR

H.V.1. TERMINAL DETAIL

L.V.1. TERMINAL DETAIL

MECHANICAL TYPE LUGS INCLUDED
SUITABLE FOR 250MCM-6 CU/AL
CONDUCTORS
1 CONDUCTOR PER PHASE

MECHANICAL TYPE LUGS INCLUDED
SUITABLE FOR 250MCM-6 CU/AL
CONDUCTORS
1 CONDUCTOR PER PHASE

CUSTOMER NOTES:

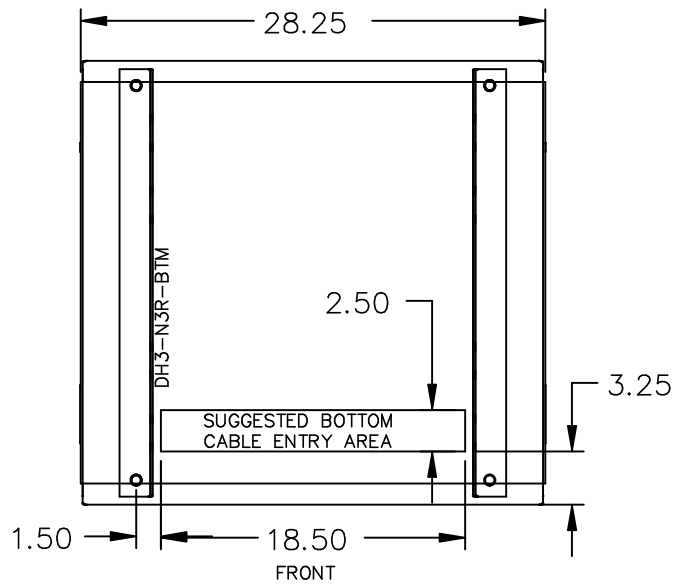
- HV1 TERMINATED AT TOP FRONT
- LV1 TERMINATED AT BOTTOM FRONT

Siemens Industry, Inc.

REVISION	DATE	BY		DATE	BY	CUSTOMER
			DRAWN	15/11/09	JW	
			CHEK'D			
1 ADDED ENCL BOTTOM DRAWING	17/04/03	JW	VERIF'D			ORDER NO. DWG. NO. 1
						3F5Y075FCD16 SH 2 OF 3

1.1 jwen 2017/07/17 13:08

ENCLOSURE BOTTOM VIEW



NOTE:
 WHEN BOTTOM CABLE ENTRY IS OPTED, THE SPACE USED FOR CONDUITS IN THE FRONT OF THE TRANSFORMER SHOULD NOT OBSTRUCT MORE THAN 50% OF THE FRONT AIR INTAKE AREA DEFINED BETWEEN THE BOTTOM PLATE AND THE SUPPORTING LEGS.
 SEE MANUAL FOR ADDITIONAL INFORMATION

Siemens Industry, Inc.

REVISION	DATE	BY	DATE	BY	CUSTOMER		
			15/11/09	JW			
			CHEK'D				
1	ADDED ENCL BOTTOM DRAWING	17/04/03	JW	VERIF'D			
					ORDER NO.	DWG. NO.	1
					3F5Y075FCD16		SH 3 OF 3