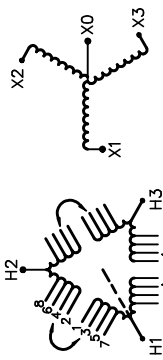




FOR APPROVAL ONLY

SIEMENS

CATALOG NO. 3F3Y750FD16 SERIAL NO. 750 kVA 60 Hz 3 PHASE 6.7 % IMP AT 135 °C 115 °C RISE 30 °C AVG. AMBIENT 220 °C TEMP CLASS 40 °C MAX. AMBIENT PRIMARY (H1 H2 H3) 480 V 10 kV BIL SECONDARY(X0 X1 X2 X3) 208Y/120 V 10 kV BIL WINDING MATERIAL AL ENCLOSURE TYPE 3R WEIGHT 4500LBS ENERGY EFFICIENCY EXCEEDS CSA D0E 10 CFR PART 431:2016 C802.2-2012 SPACINGS BETWEEN ANY VENTILATED ENCLOSURE PANEL AND ANY ADJACENT WALL SHALL BE A MINIMUM OF 12 INCHES	 <p style="text-align: center;">VOLTS</p> <p style="text-align: center;">CONNECT</p> <p style="text-align: center;">1-2 2-3 3-4 4-5 5-6 6-7 7-8</p>	TYPE K  DRY TYPE TRANSFORMER E112313  LR 3902 LISTED SEISMIC QUALIFICATIONS, FLOOR MOUNT ONLY OSP-0136-10 IBC 2012/ASCE 7-10 SDS<=2.0g Z/h=1 Ip=1.5
SUITABLE FOR INDOOR OR OUTDOOR LOCATIONS BEFORE HANDLING, INSTALLING AND OPERATING, SEE INSTRUCTION MANUAL NEMA Class ANN Dry Type Transformer Siemens Industry, Inc. Norcross, GA <small>des0086e</small>		

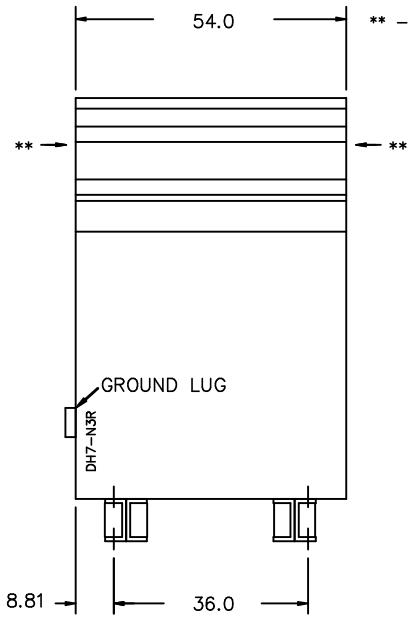


REVISION	DATE	BY	DATE	BY
		DRAWN	19/06/07	DC
		CHEK'D		
		VERIF'D		

Siemens Industry, Inc.	
CUSTOMER	
ORDER NO.	DWG. NO. 3F3Y750FD16
SH 1 OF 3	

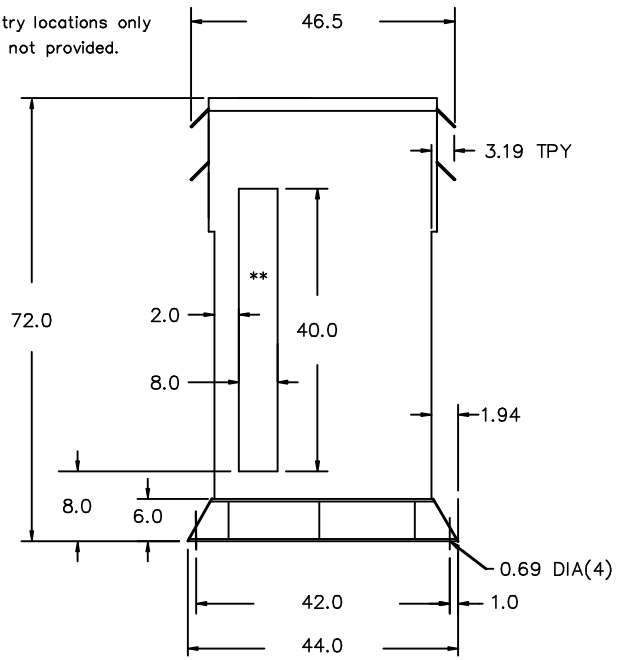
FOR APPROVAL ONLY

FRONT VIEW



** - Recommended cable entry locations only
cutouts & gland plates not provided.

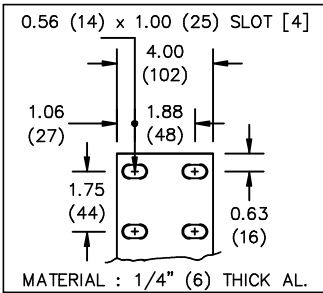
SIDE VIEW



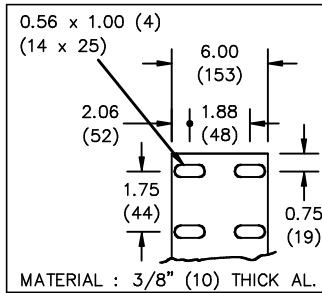
All Dimensions in inches

ENCLOSURE COLOR : ANSI 61 GREY - OUTDOOR

HV TERMINAL DETAIL



LV TERMINAL DETAIL



CUSTOMER NOTES:

- HV TERMINATED AT TOP FRONT
- LV TERMINATED AT BOTTOM FRONT

Siemens Industry, Inc.

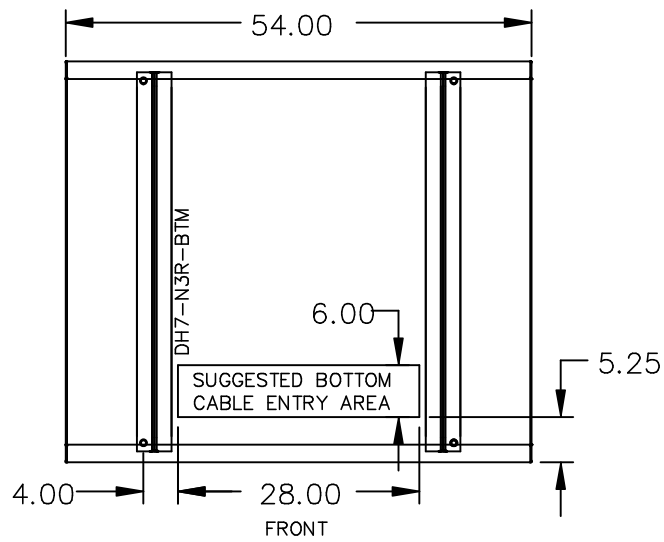
REVISION	DATE	BY	DATE	BY
		DRAWN	19/06/07	DC
		CHEK'D		
		VERIF'D		

CUSTOMER	
ORDER NO.	DWG. NO. 3F3Y750FD16
SH 2 OF 3	

0.1 dcortez 2019/06/07 16:40

FOR APPROVAL ONLY

ENCLOSURE BOTTOM VIEW



NOTE:
 WHEN BOTTOM CABLE ENTRY IS OPTED, THE SPACE USED FOR CONDUITS IN THE FRONT OF THE TRANSFORMER SHOULD NOT OBSTRUCT MORE THAN 50% OF THE FRONT AIR INTAKE AREA DEFINED BETWEEN THE BOTTOM PLATE AND THE SUPPORTING LEGS.
 SEE MANUAL FOR ADDITIONAL INFORMATION

Siemens Industry, Inc.

REVISION	DATE	BY	DATE	BY
		DRAWN	19/06/07	DC
		CHEK'D		
		VERIF'D		

CUSTOMER		
ORDER NO.	DWG. NO. 3F3Y750FD16	SH 3 OF 3

0.1 dcortez 2019/06/07 16:40