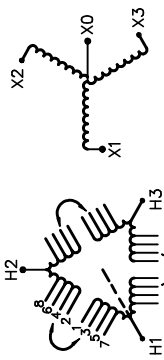




REVISION	DATE	BY	DATE	BY
		DRAWN	19/03/20	PP
		CHEK'D		
		VERIF'D		

Siemens Industry, Inc.	
CUSTOMER	
ORDER NO.	DWG. NO.
	3F3Y750FCLN3D16 SH 1 OF 3

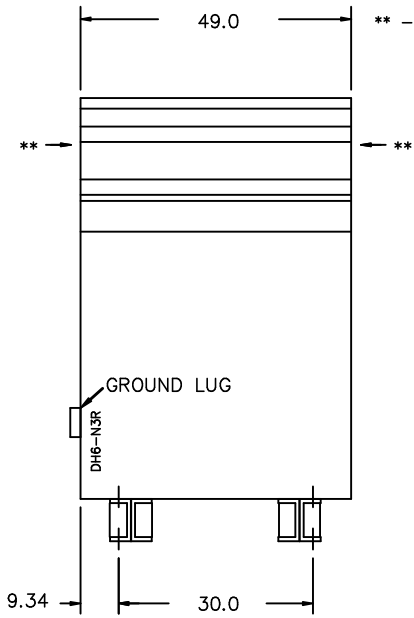
SIEMENS

<p>CATALOG NO. 3F3Y750FCLN3D16 SERIAL NO. SERIES H 750 kVA 60 Hz 3 PHASE 6.2 % IMP AT 135 °C</p>	<p>115 °C RISE 30 °C AVG. AMBIENT 220 °C TEMP CLASS 40 °C MAX. AMBIENT PRIMARY (H1 H2 H3) 480V V 10 kV BIL SECONDARY(X0 X1 X2 X3) 208Y/120V V 10 kV BIL</p>	 <p>VOLTS 504 492 480 468 456 444 432</p> <p>CONNECT 1-2 2-3 3-4 4-5 5-6 6-7 7-8</p>
<p>WINDING MATERIAL CU ENCLOSURE TYPE 3R WEIGHT 4400LBS ENERGY EFFICIENCY EXCEEDS CSA D0E 10 CFR PART 431:2016 C802.2-2012</p>		<p>TYPE K  LISTED  LR 3902 DRY TYPE TRANSFORMER E112313</p>
<p>SPACINGS BETWEEN ANY VENTILATED ENCLOSURE PANEL AND ANY ADJACENT WALL SHALL BE A MINIMUM OF 12 INCHES SOUND LEVEL IS 3 DB LOWER THAN NEMA ST20 REQUIREMENTS</p>		<p>SEISMIC QUALIFICATIONS, FLOOR MOUNT ONLY OSP-0136-10 IBC 2012/ASCE 7-10 SDS<=2.0g Z/h=1 Ip=1.5</p>
<p>SUITABLE FOR INDOOR OR OUTDOOR LOCATIONS BEFORE HANDLING, INSTALLING AND OPERATING, SEE INSTRUCTION MANUAL</p>		<p>NEMA Class ANN Dry Type Transformer Siemens Industry, Inc. Norcross, GA des0086e</p>

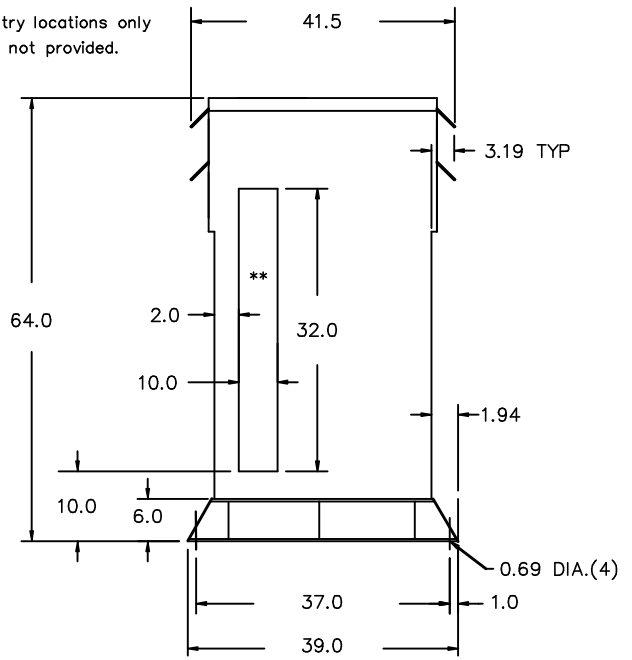


3F3Y750FCLN3D16

FRONT VIEW



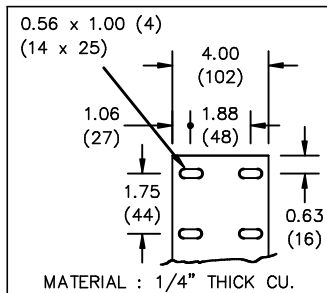
SIDE VIEW



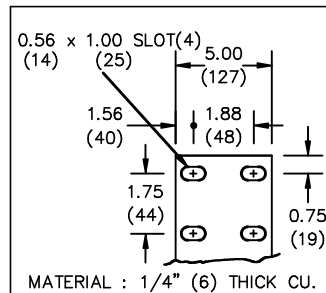
All Dimensions in inches

ENCLOSURE COLOR : ANSI 61 GREY - OUTDOOR

HV TERMINAL DETAIL



LV TERMINAL DETAIL



CUSTOMER NOTES:

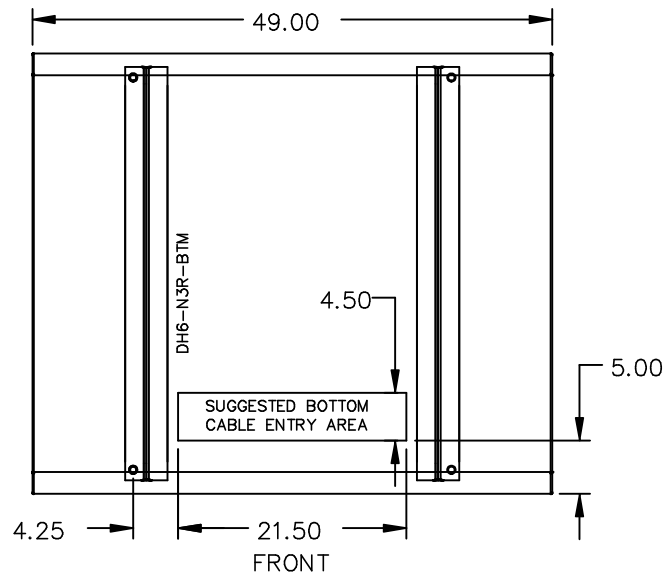
- HV TERMINATED AT TOP FRONT
- LV TERMINATED AT BOTTOM FRONT

Siemens Industry, Inc.

REVISION	DATE	BY	DATE	BY
			19/03/20	PP

CUSTOMER	
ORDER NO.	DWG. NO.
	3F3Y750FCLN3D16 SH 2 OF 3

ENCLOSURE BOTTOM VIEW



NOTE:
 WHEN BOTTOM CABLE ENTRY IS OPTED, THE SPACE USED FOR CONDUITS IN THE FRONT OF THE TRANSFORMER SHOULD NOT OBSTRUCT MORE THAN 50% OF THE FRONT AIR INTAKE AREA DEFINED BETWEEN THE BOTTOM PLATE AND THE SUPPORTING LEGS.
 SEE MANUAL FOR ADDITIONAL INFORMATION

Siemens Industry, Inc.

REVISION	DATE	BY	DATE	BY	CUSTOMER
			19/03/20	PP	ORDER NO. DWG. NO. 3F3Y750FCLN3D16 SH 3 OF 3