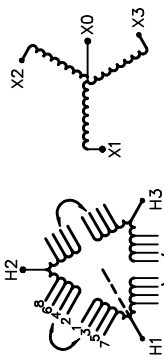


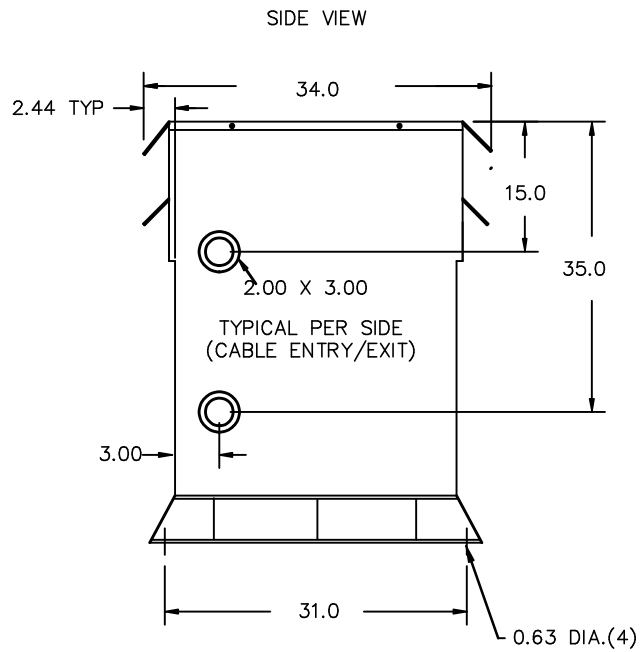
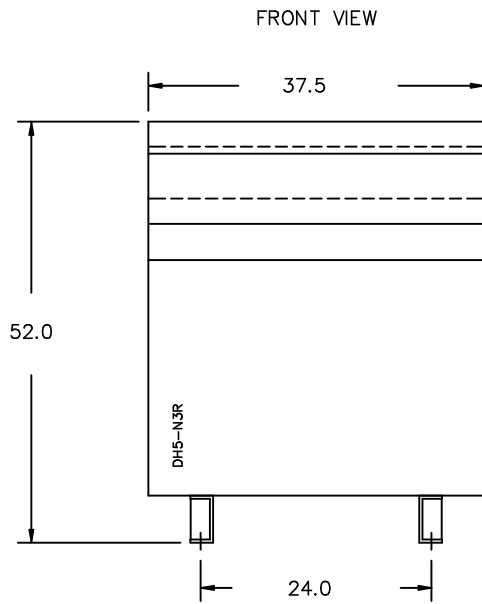
| | | | | |
|----------|------|---------|----------|----|
| REVISION | DATE | BY | DATE | BY |
| | | DRAWN | 18/09/21 | RM |
| | | CHEK'D | | |
| | | VERIF'D | | |

| | |
|-----------|---------------------------|
| CUSTOMER | |
| ORDER NO. | DWG. NO. |
| | 3F3Y225K13BCD16 SH 1 OF 3 |

SIEMENS

| | | |
|---|---|---|
| <p>CATALOG NO. 3F3Y225K13BCD16</p> <p>SERIAL NO. SERIES H</p> <p>225 kVA 60 Hz 3 PHASE</p> <p>3.8 % IMP AT 100 °C</p> | <p>80 °C RISE 30 °C AVG. AMBIENT</p> <p>220 °C TEMP CLASS 40 °C MAX. AMBIENT</p> <p>PRIMARY (H1 H2 H3) 480 V 10 kV BIL</p> <p>SECONDARY(X0 X1 X2 X3) 208Y/120 V 10 kV BIL</p> |  <p>VOLTS</p> <p>504</p> <p>492</p> <p>480</p> <p>468</p> <p>456</p> <p>444</p> <p>432</p> <p>CONNECT</p> <p>1-2</p> <p>2-3</p> <p>3-4</p> <p>4-5</p> <p>5-6</p> <p>6-7</p> <p>7-8</p> |
| <p>WINDING MATERIAL CU</p> <p>ENCLOSURE TYPE 3R WEIGHT 2200LBS</p> <p>ENERGY EFFICIENCY EXCEEDS CSA D0E 10 CFR PART 431:2016</p> <p>C802.2-2012</p> | | <p>TYPE K</p> <p>DRY TYPE TRANSFORMER</p> <p>UL LISTED</p> <p>ET12313</p> <p>LR 3902</p> <p>SEISMIC QUALIFICATIONS, FLOOR MOUNT ONLY</p> <p>OSP-0136-10 IBC 2012/ASCE 7-10</p> <p>SDS<=2.0g Z/h=1 Ip=1.5</p> |





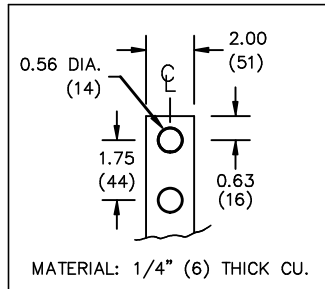
All Dimensions in inches

ENCLOSURE COLOR :ANSI 61 GREY – OUTDOOR

H.V.1. TERMINAL DETAIL

L.V.1. TERMINAL DETAIL

MECHANICAL TYPE LUGS INCLUDED
SUITABLE FOR 350MCM-6 CU/AL
CONDUCTORS
2 CONDUCTORS PER PHASE



CUSTOMER NOTES:

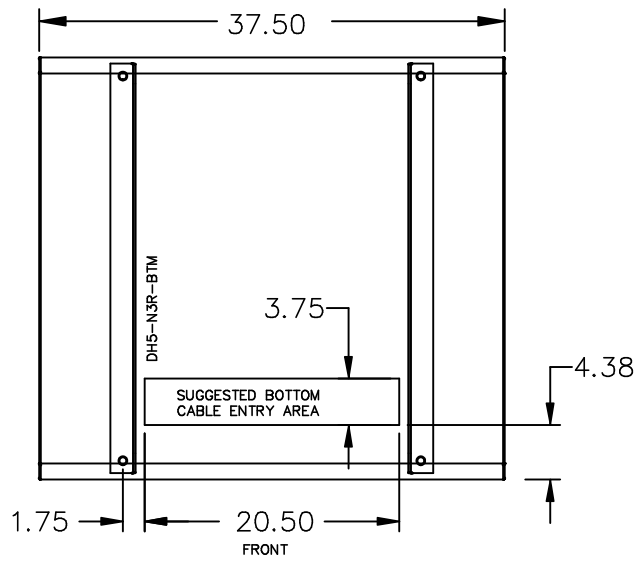
- HV1 TERMINATED AT TOP FRONT
- LV1 TERMINATED AT BOTTOM FRONT

Siemens Industry, Inc.

| REVISION | DATE | BY | DATE | BY |
|----------|------|---------|----------|----|
| | | DRAWN | 18/09/21 | RM |
| | | CHEK'D | | |
| | | VERIF'D | | |

| | |
|-----------|---------------------------------------|
| CUSTOMER | |
| ORDER NO. | DWG. NO. 3F3Y225K13BCD16 SH 2 OF 3 |

ENCLOSURE BOTTOM VIEW



NOTE:
 WHEN BOTTOM CABLE ENTRY IS OPTED, THE SPACE USED FOR CONDUITS IN THE FRONT OF THE TRANSFORMER SHOULD NOT OBSTRUCT MORE THAN 50% OF THE FRONT AIR INTAKE AREA DEFINED BETWEEN THE BOTTOM PLATE AND THE SUPPORTING LEGS. SEE MANUAL FOR ADDITIONAL INFORMATION

Siemens Industry, Inc.

| REVISION | DATE | BY | DATE | BY |
|----------|------|---------|----------|----|
| | | DRAWN | 18/09/21 | RM |
| | | CHEK'D | | |
| | | VERIF'D | | |

| | |
|-----------|---------------------------------------|
| CUSTOMER | |
| ORDER NO. | DWG. NO. 3F3Y225K13BCD16 SH 3 OF 3 |