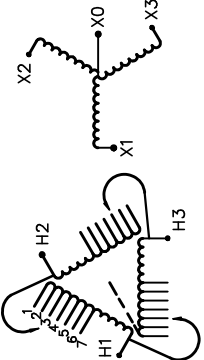




REVISION	DATE	BY	DATE	BY
		DRAWN	17/05/04	RM
		CHEK'D		
		VERIF'D		

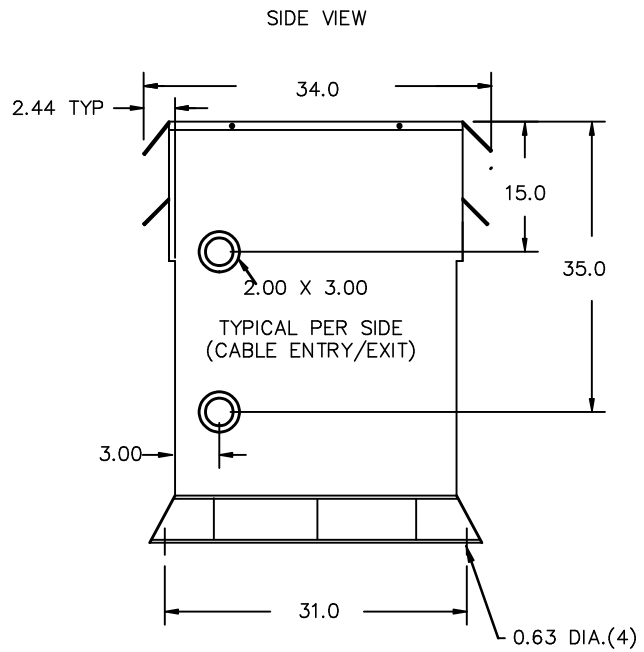
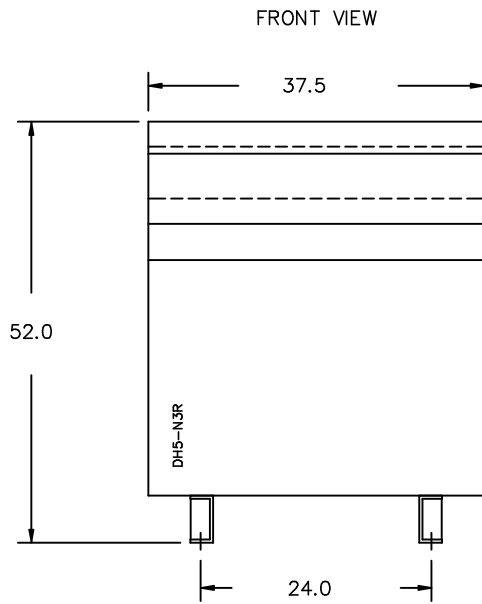
CUSTOMER	
ORDER NO.	DWG. NO.
	3F3Y225BESCD16
SH 1 OF 3	

# SIEMENS

<p>CATALOG NO. 3F3Y225BESCD16</p> <p>SERIAL NO. SERIES H</p> <p>225 kVA 60 Hz 3 PHASE</p> <p>4.5 % IMP AT 100 °C</p> <p>80 °C RISE 30 °C AVG. AMBIENT</p> <p>220 °C TEMP CLASS 40 °C MAX. AMBIENT</p> <p>PRIMARY ( H1 H2 H3 ) 480 V 10 kV BIL</p> <p>SECONDARY( X0 X1 X2 X3 ) 208Y/120 V 10 kV BIL</p> <p>WINDING MATERIAL CU</p> <p>ENCLOSURE TYPE 3R WEIGHT 2000LBS</p> <p>ENERGY EFFICIENCY EXCEEDS CSA C802.2-2012 DOE 10 CFR PART 431:2016</p> <p>SPACINGS BETWEEN ANY VENTILATED ENCLOSURE PANEL AND ANY ADJACENT WALL SHALL BE A MINIMUM OF 5 INCHES EXCEPT WHEN WALL MOUNTED USING APPROVED WALL MOUNTING KIT ELECTROSTATIC SHIELD RATIO ERROR IS TO THE NEAREST TURN PER STANDARD EXCEPT FOR NOMINAL TAP WHICH IS +/-0.5%</p> <p>SUITABLE FOR INDOOR OR OUTDOOR LOCATIONS BEFORE HANDLING, INSTALLING AND OPERATING, SEE INSTRUCTION MANUAL</p> <p>NEMA Class ANN Dry Type Transformer Siemens Industry, Inc. Norcross, GA <small>dsu0086e</small></p>	 <p style="text-align: center;">VOLTS CONNECT</p> <table style="margin-left: auto; margin-right: auto;"> <tr><td>504</td><td>1</td></tr> <tr><td>492</td><td>2</td></tr> <tr><td>480</td><td>3</td></tr> <tr><td>468</td><td>4</td></tr> <tr><td>456</td><td>5</td></tr> <tr><td>444</td><td>6</td></tr> <tr><td>432</td><td>7</td></tr> </table>	504	1	492	2	480	3	468	4	456	5	444	6	432	7	<p style="text-align: center;">TYPE K</p> <div style="display: flex; justify-content: space-around; align-items: center;">   </div> <p style="text-align: center;">LISTED</p> <p style="text-align: center;">DRY TYPE TRANSFORMER E112313 LR 3902</p> <p>SEISMIC QUALIFICATIONS, FLOOR MOUNT ONLY OSP-0136-10 IBC 2012/ASCE 7-10 SDS&lt;=2.0g Z/h=1 Ip=1.5</p>
504	1															
492	2															
480	3															
468	4															
456	5															
444	6															
432	7															



3F3Y225BESCD16



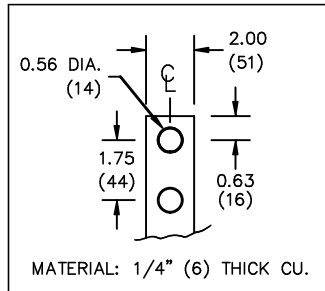
All Dimensions in inches

ENCLOSURE COLOR :ANSI 61 GREY – OUTDOOR

HV TERMINAL DETAIL

LV TERMINAL DETAIL

MECHANICAL TYPE LUGS INCLUDED  
SUITABLE FOR 350MCM-6 CU/AL  
CONDUCTORS  
2 CONDUCTORS PER PHASE



CUSTOMER NOTES:

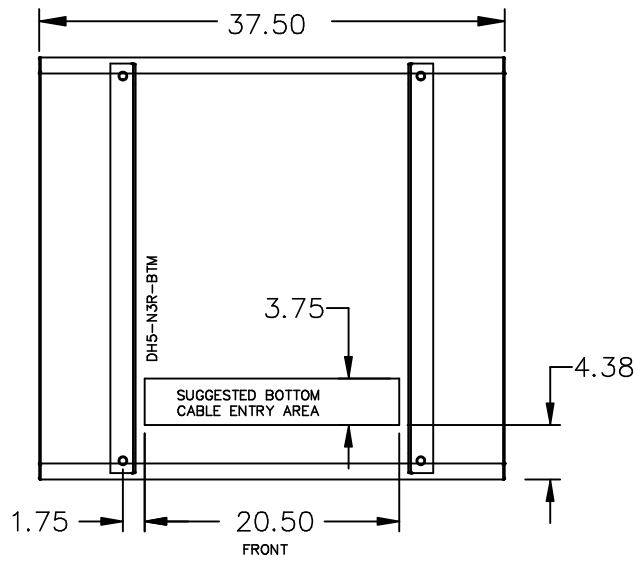
- HV TERMINATED AT TOP FRONT
- LV TERMINATED AT BOTTOM FRONT

Siemens Industry, Inc.

REVISION	DATE	BY	DATE	BY
		DRAWN	17/05/04	RM
		CHEK'D		
		VERIF'D		

CUSTOMER	
ORDER NO.	DWG. NO. 3F3Y225BESCD16
SH 2 OF 3	

ENCLOSURE BOTTOM VIEW



NOTE:  
 WHEN BOTTOM CABLE ENTRY IS OPTED, THE SPACE USED FOR CONDUITS IN THE FRONT OF THE TRANSFORMER SHOULD NOT OBSTRUCT MORE THAN 50% OF THE FRONT AIR INTAKE AREA DEFINED BETWEEN THE BOTTOM PLATE AND THE SUPPORTING LEGS.  
 SEE MANUAL FOR ADDITIONAL INFORMATION

Siemens Industry, Inc.

REVISION	DATE	BY	DATE	BY
		DRAWN	17/05/04	RM
		CHEK'D		
		VERIF'D		

CUSTOMER	
ORDER NO.	DWG. NO. 3F3Y225BESCD16
	SH 3 OF 3