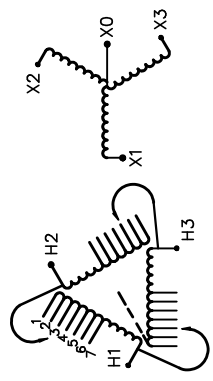


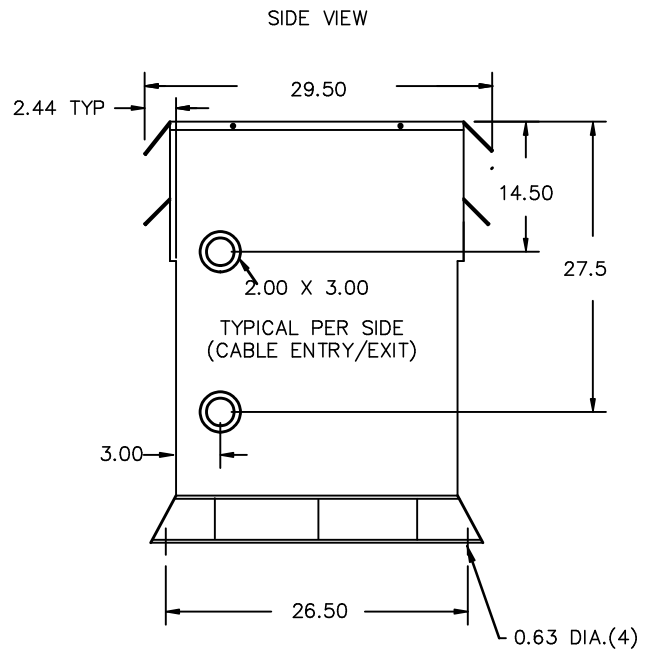
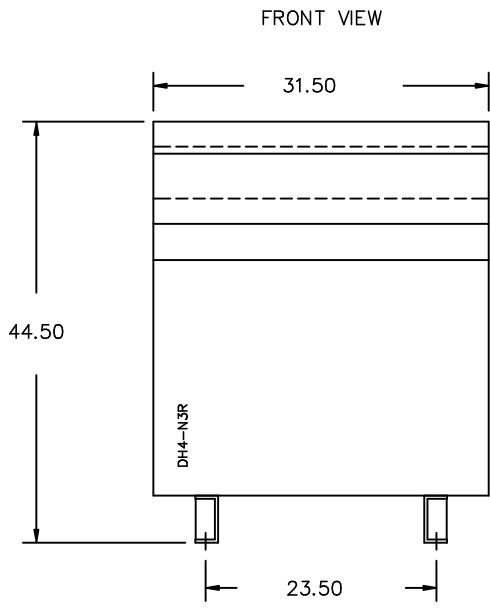
REVISION	DATE	BY	DATE	BY
		DRAWN	17/09/28	AS
		CHEK'D		
		VERIF'D		

Siemens Industry, Inc.	
CUSTOMER	
ORDER NO.	DWG. NO.
	3F3Y150BESCLN3D16 SH 1 OF 3

# SIEMENS

CATALOG NO. 3F3Y150BESCLN3D16 SERIAL NO. SERIES H 150 kVA 60 Hz 3 PHASE 2.8 % IMP AT 100 °C			
80 °C RISE	°C AVG. AMBIENT	VOLTS CONNECT	
220 °C TEMP CLASS	°C MAX. AMBIENT	1	2
PRIMARY ( X0 X1 X2 X3 )	208Y/120V V 10 kV BIL	3	3
SECONDARY( H1 H2 H3 )	480V V 10 kV BIL	4	4
WINDING MATERIAL	CU	5	5
ENCLOSURE TYPE 3R	WEIGHT 1200 LBS	6	6
ENERGY EFFICIENCY EXCEEDS CSA C802.2-2012	DOE 10 CFR PART 431:2016	7	7
SPACINGS BETWEEN ANY VENTILATED ENCLOSURE PANEL AND ANY ADJACENT WALL SHALL BE A MINIMUM OF 5 INCHES EXCEPT WHEN WALL MOUNTED USING APPROVED WALL MOUNTING KIT ELECTROSTATIC SHIELD SEISMIC QUALIFICATIONS, OSP-0136-10 IBC 2012/ASCE 7-10			
SUITABLE FOR INDOOR OR OUTDOOR LOCATIONS BEFORE HANDLING, INSTALLING AND OPERATING, SEE INSTRUCTION MANUAL			
NEMA Class ANN Dry Type Transformer		Siemens Industry, Inc. Norcross, GA <small>dsu0086e1</small>	





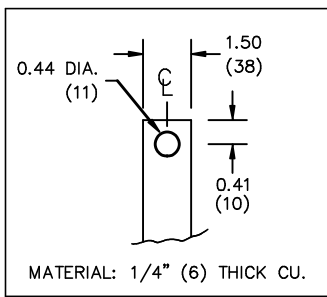
All Dimensions in inches

ENCLOSURE COLOR :ANSI 61 GREY – OUTDOOR

H.V.1. TERMINAL DETAIL

L.V.1. TERMINAL DETAIL

MECHANICAL TYPE LUGS INCLUDED  
SUITABLE FOR 350MCM-6 CU/AL  
CONDUCTORS  
1 CONDUCTOR PER PHASE



CUSTOMER NOTES:

- HV1 TERMINATED AT TOP FRONT
- LV1 TERMINATED AT BOTTOM FRONT

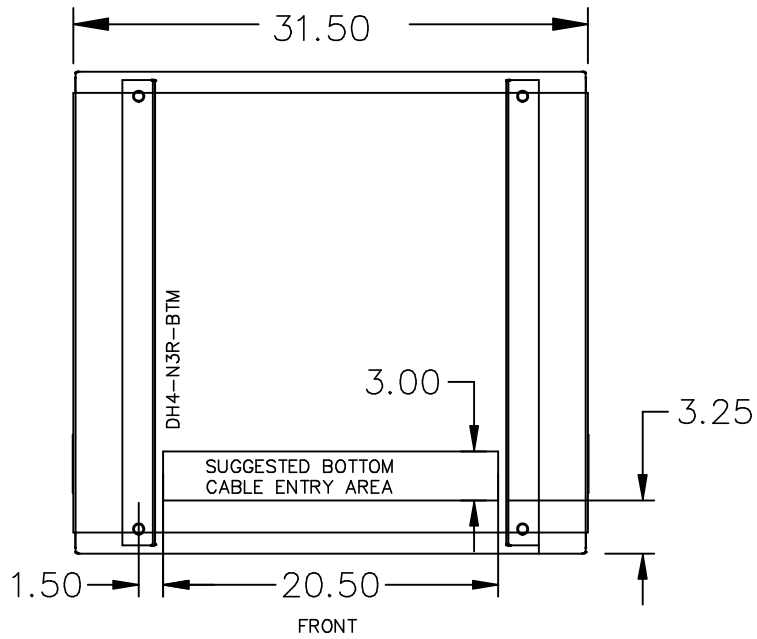
Siemens Industry, Inc.

REVISION	DATE	BY	DATE	BY
			17/09/28	AS

CUSTOMER	
ORDER NO.	DWG. NO.
	3F3Y150BESCLN3D16 SH 2 OF 3

0.1 aseth 2017/09/28 17:48

ENCLOSURE BOTTOM VIEW



NOTE:  
 WHEN BOTTOM CABLE ENTRY IS OPTED, THE SPACE USED FOR CONDUITS IN THE FRONT OF THE TRANSFORMER SHOULD NOT OBSTRUCT MORE THAN 50% OF THE FRONT AIR INTAKE AREA DEFINED BETWEEN THE BOTTOM PLATE AND THE SUPPORTING LEGS.  
 SEE MANUAL FOR ADDITIONAL INFORMATION

Siemens Industry, Inc.

REVISION	DATE	BY	DATE	BY	CUSTOMER
			17/09/28	AS	ORDER NO. DWG. NO. 3F3Y150BESCLN3D16 SH 3 OF 3