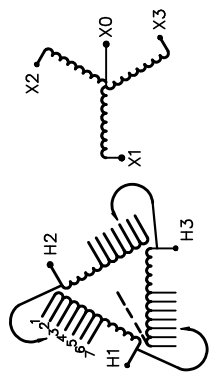


REVISION	DATE	BY	DATE	BY
			16/10/04	JW
1 ADDED ENCL BOTTOM DRAWING	17/04/03	JW		

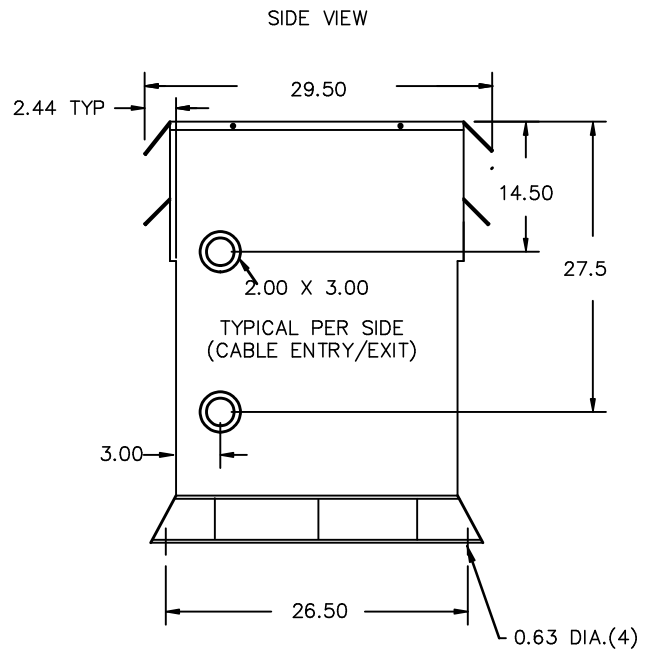
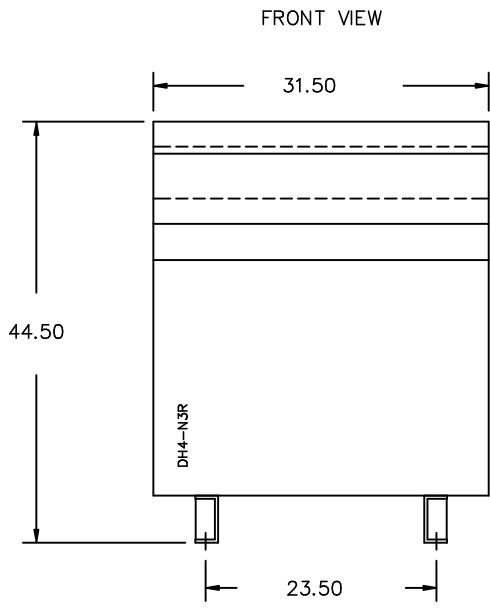
Siemens Industry, Inc.		
CUSTOMER		
ORDER NO.	DWG. NO.	1
	3F3Y112BD16	SH 1 OF 3

SIEMENS

CATALOG NO. 3F3Y112BD16 SERIAL NO. SERIES H 112.5 kVA 60 Hz 3 PHASE 5.8 % IMP AT 100 °C			
80 °C RISE	30 °C AVG. AMBIENT	VOLTS CONNECT	
220 °C TEMP CLASS	40 °C MAX. AMBIENT	504	1
PRIMARY (H1 H2 H3)	480V V 10 kV BIL	492	2
SECONDARY(X0 X1 X2 X3)	208Y/120V V 10 kV BIL	480	3
WINDING MATERIAL	AL	468	4
ENCLOSURE TYPE 3R	WEIGHT 860 LBS	456	5
ENERGY EFFICIENCY EXCEEDS CSA C802.2-2012	DOE 10 CFR PART 431:2016	444	6
SPACINGS BETWEEN ANY VENTILATED ENCLOSURE PANEL AND ANY ADJACENT WALL SHALL BE A MINIMUM OF 5 INCHES EXCEPT WHEN WALL MOUNTED USING APPROVED WALL MOUNTING KIT			
SUITABLE FOR INDOOR OR OUTDOOR LOCATIONS BEFORE HANDLING, INSTALLING AND OPERATING, SEE INSTRUCTION MANUAL		TYPE K DRY TYPE TRANSFORMER E112313 LISTED UL SEISMIC QUALIFICATIONS, FLOOR MOUNT ONLY OSP-0136-10 IBC 2012/ASCE 7-10 SDS<=2.0g Z/h=1 Ip=1.5	
NEMA Class ANN Dry Type Transformer		Siemens Industry, Inc. Norcross, GA dsu0086e	



3F3Y112BD16



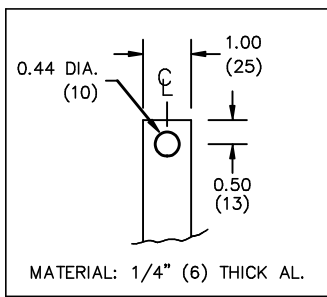
All Dimensions in inches

ENCLOSURE COLOR :ANSI 61 GREY – OUTDOOR

H.V.1. TERMINAL DETAIL

L.V.1. TERMINAL DETAIL

MECHANICAL TYPE LUGS INCLUDED
SUITABLE FOR 250MCM-6 CU/AL
CONDUCTORS
1 CONDUCTOR PER PHASE



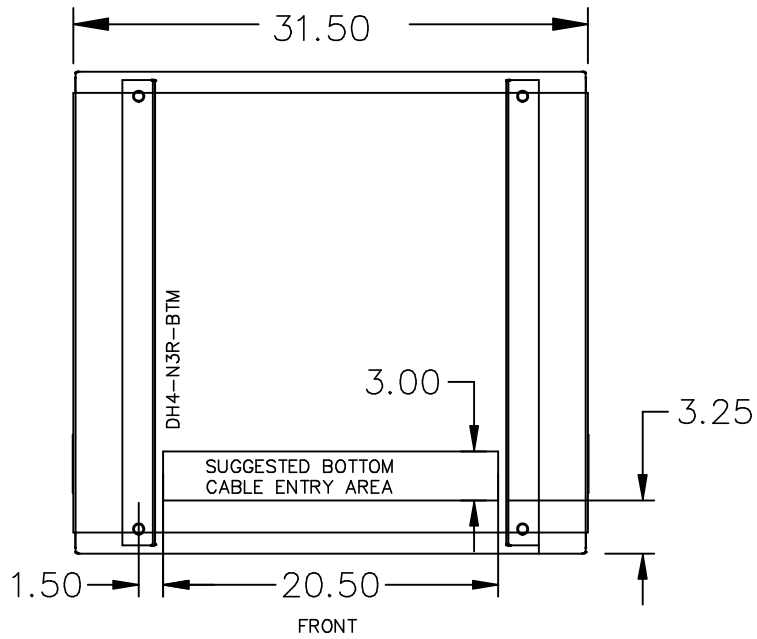
CUSTOMER NOTES:

- HV1 TERMINATED AT TOP FRONT
- LV1 TERMINATED AT BOTTOM FRONT

Siemens Industry, Inc.

REVISION	DATE	BY	DATE	BY	CUSTOMER		
			16/10/04	JW			
1 ADDED ENCL BOTTOM DRAWING	17/04/03	JW					
					ORDER NO.	DWG. NO.	1
					3F3Y112BD16		SH 2 OF 3

ENCLOSURE BOTTOM VIEW



NOTE:
 WHEN BOTTOM CABLE ENTRY IS OPTED, THE SPACE USED FOR CONDUITS IN THE FRONT OF THE TRANSFORMER SHOULD NOT OBSTRUCT MORE THAN 50% OF THE FRONT AIR INTAKE AREA DEFINED BETWEEN THE BOTTOM PLATE AND THE SUPPORTING LEGS.
 SEE MANUAL FOR ADDITIONAL INFORMATION

Siemens Industry, Inc.

REVISION	DATE	BY	DATE	BY	CUSTOMER
			DRAWN 16/10/04	JW	
			CHEK'D		
1 ADDED ENCL BOTTOM DRAWING	17/04/03	JW	VERIF'D		ORDER NO. DWG. NO. 3FY112BD16 1 SH 3 OF 3